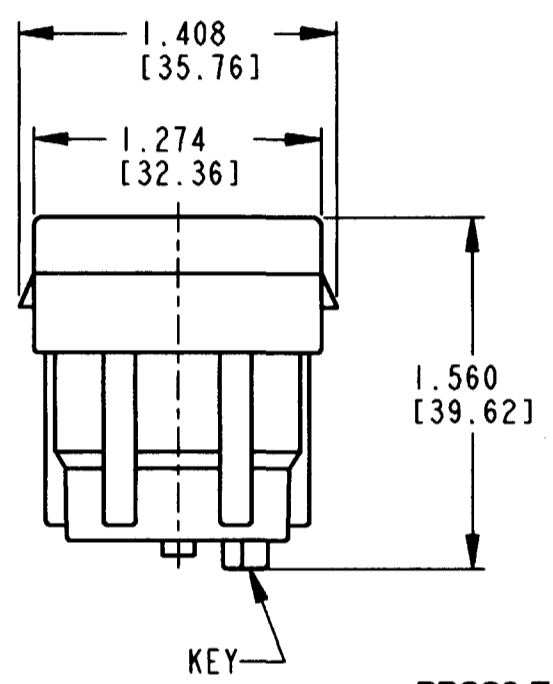


- SEE KEY ORIENTATION
- RECOMMENDED RETAINING BOLT TORQUE: 25-28 IN-LB [2.82-3.16NM]
  - THIS CONNECTOR WILL ACCOMMODATE THE FOLLOWING:

CONTACT SIZE	MIN. O.D.	MAX. O.D.	WIRE GAUGE RANGE REF ONLY
20	.040 [1.016]	.095 [2.413]	16 THRU 20 [1.00-.50mm <sup>2</sup> ]

- PLUG IS SUPPLIED WITH DUST CAP. (NOT SHOWN)
  - DIMENSION TOLERANCE: ±.025 [.64]
- NOTES: 1. DIMENSIONS ARE IN INCHES [mm].

REV	DRC26-50S**	REVISIONS			
A		SYM	DESCRIPTION	DATE	APPROVED
		NC	NEW RELEASE PER E.O. A14643	12/5/94	RDR
		A	REVISED PER E.O. P16752	7-20-00	RDR



DRC26-50S01	DRC26-50S02	DRC26-50S03	
01	02	03	
DRC26-50S04	DRC26-50S05	DRC26-50S06	
04	05	06	
DRC26-50S07	DRC26-50S08	DRC26-50S09	DRC26-50S10
07	08	09	10

- MATERIAL: HOUSING: PLASTIC (BLACK); BOLT: STAINLESS STEEL; CLIP: STEEL.
- THIS PLUG MATES WITH 09D41107L01 THRU 10-\*\*\*\* AND DRC20-50P01 THRU 10 -\*\*\*\* RECEPTACLE. (\*\*\*\* = ALL MODIFICATIONS)
- FOR CONTACT AND WIRE PERFORMANCE AND APPLICATION CHARACTERISTICS SEE ENVELOPE DRAWING 0425-015-0000.

SIGNATURE & DATE		PLUG 50 CONTACTS, SIZE 20 DRC SERIES	CP EP019	MATL. CODE
DR	V. TOMSA 10/11/94		The Deutsch Company DEUTSCH I.P.D. 3850 INDUSTRIAL AVE. HEMET, CALIF. 92545	
CHK	D. Meyer 7/20/00	ENVELOPE	B	DRC26-50S**
PE	D. Meyer 7/20/00			
APPD	R. Reed 7-20-00	DWG SIZE	CODE 11139	SHEET 1 OF 1
SCALE	NONE WT			