

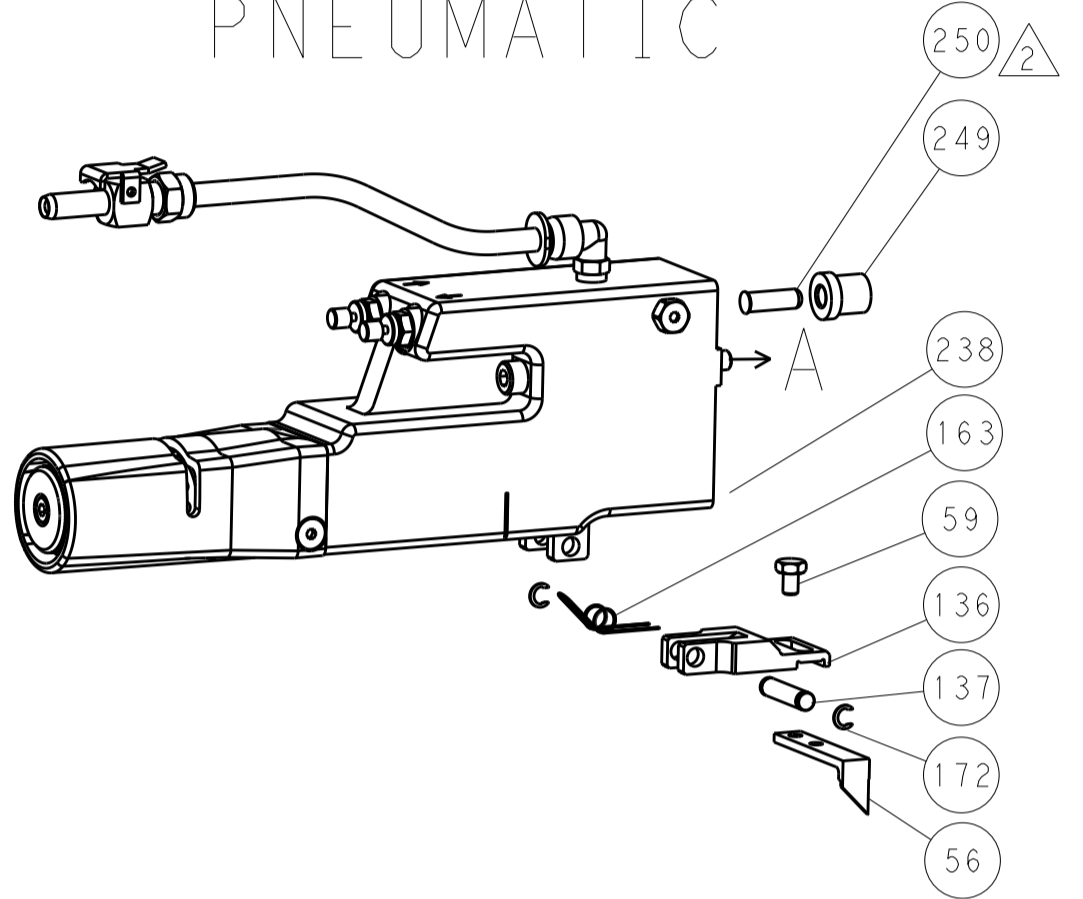


LOC	DIST	REV	DATE	BY	APPV
A	66				

### FEED TYPE MECHANICAL



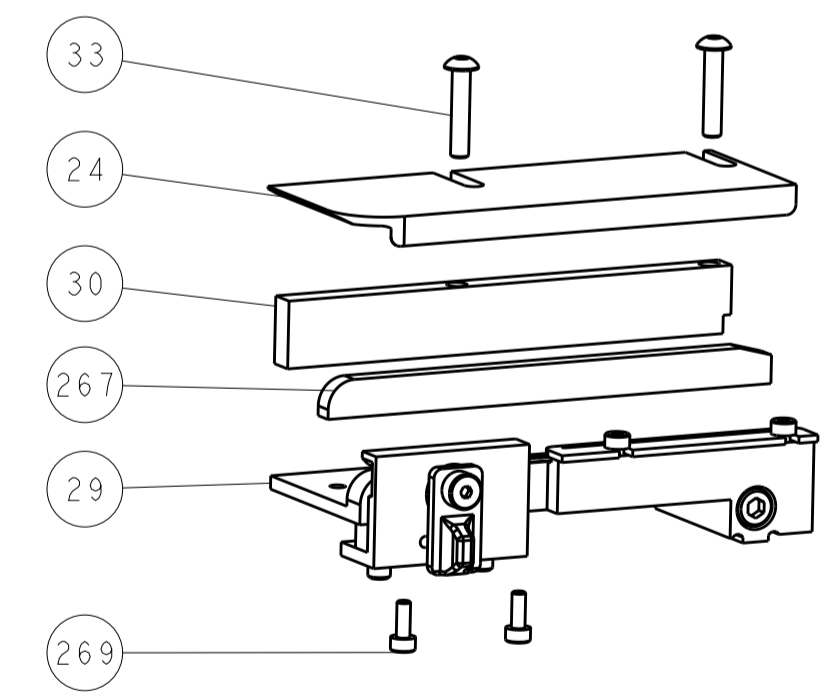
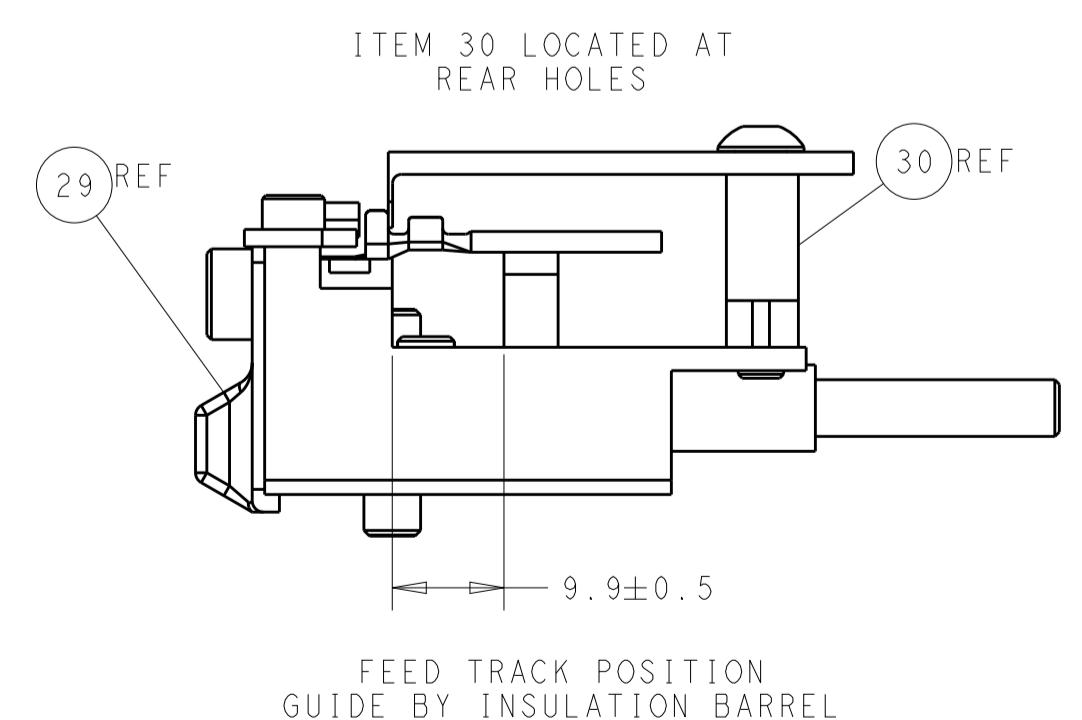
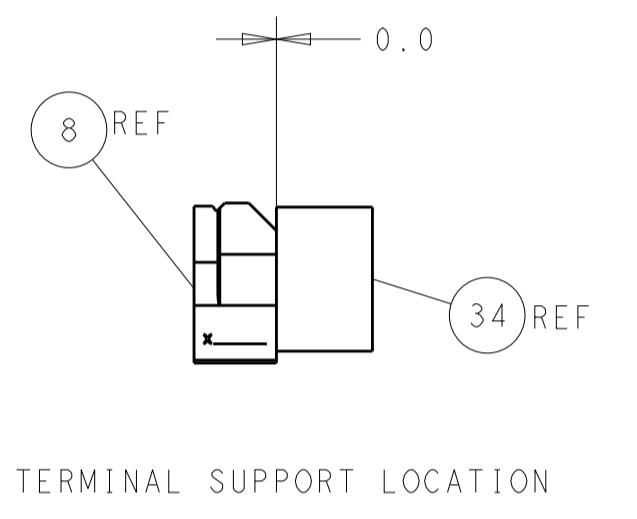
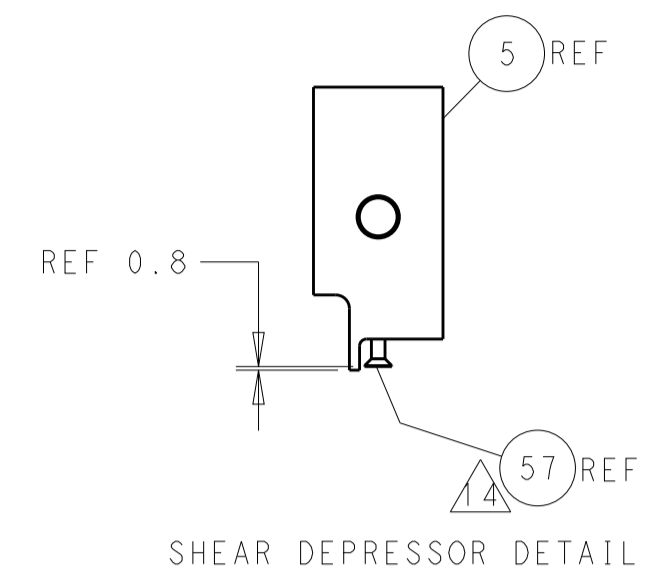
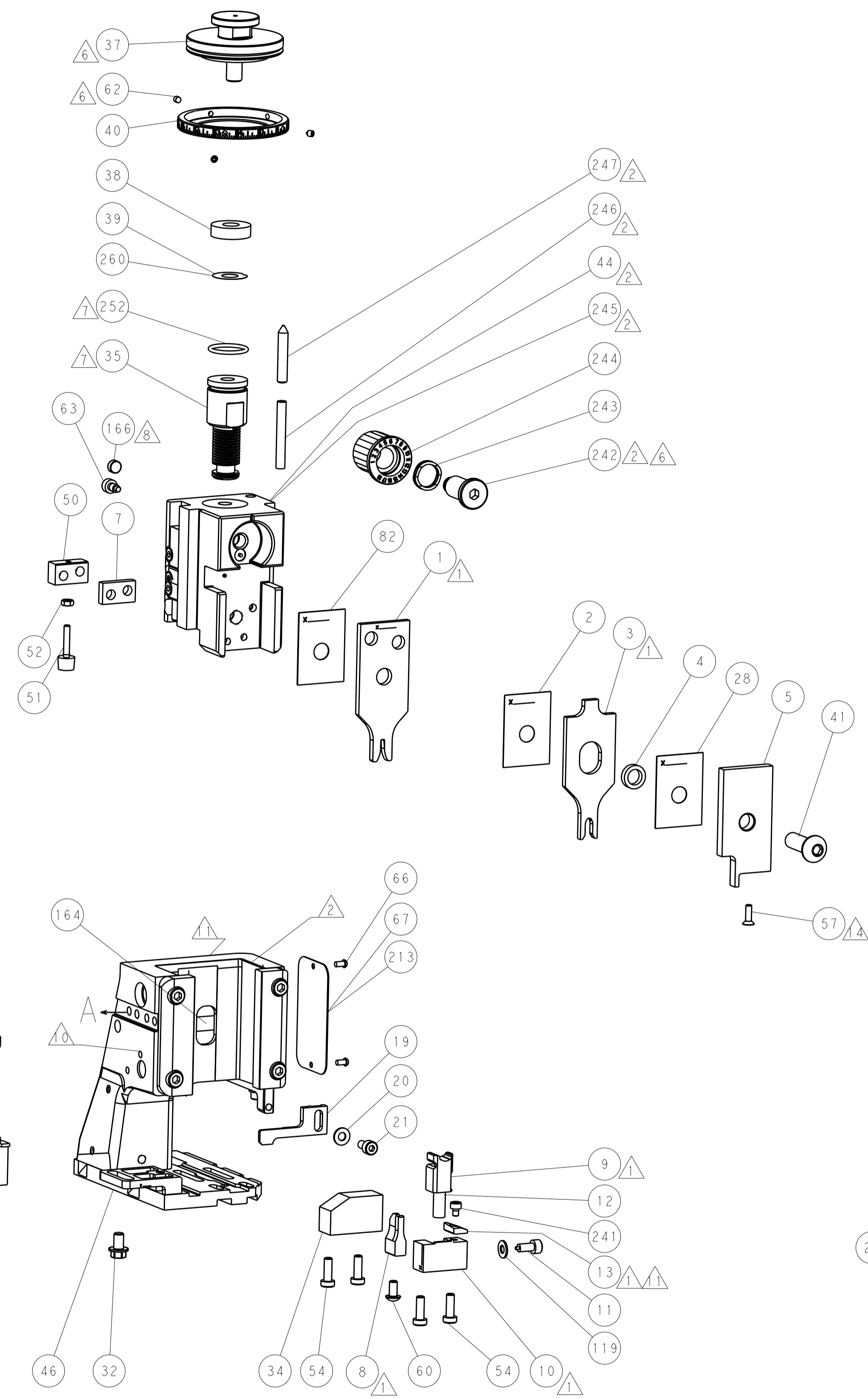
### PNEUMATIC



### SERVO LATCH PLATE



### CAM POSITIONS



**ATLANTIC VERSION**  
 Shown on sheets 1 of 4 & 2 of 4  
 (Pacific version shown on sheets 3 of 4 & 4 of 4)

DIMENSIONS:		TOLERANCES UNLESS OTHERWISE SPECIFIED:		DWN: R. HUANG 29AUG2012		TE Connectivity	
mm	0 PLC	±		CHK: S. XI 29AUG2012	NAME: Ocean Side Feed	Harrisburg, PA 17105-3608	
	1 PLC	±		APPV: S. XI 29AUG2012	PRODUCT SPEC:	SIZE: A1	CAGE CODE: 00779
	2 PLC	±			APPLICATION SPEC:	DRAWING NO: 2151480	REV: D
	3 PLC	±			WEIGHT:	SCALE: 1:2	SHEET: 2 of 4
	4 PLC	±			CUSTOMER DRAWING:		
	ANGLES	±					
	FINISH:						

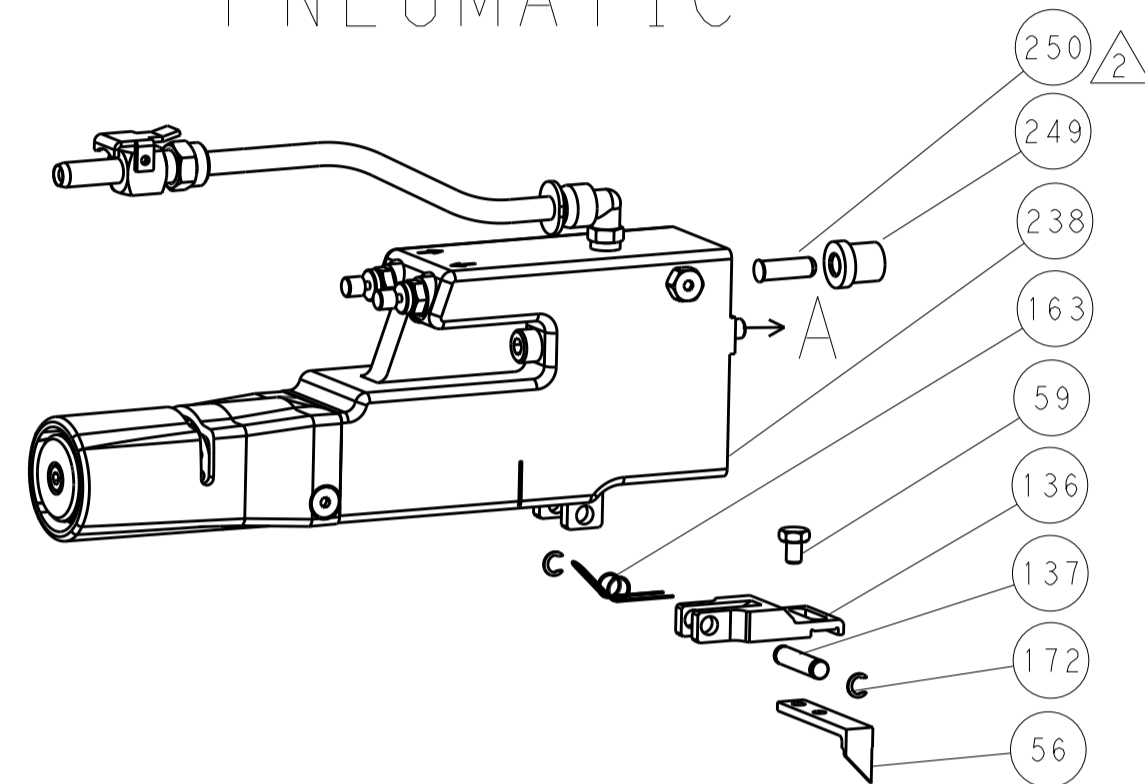


LOC		DIST		REVISIONS			
A	66	P	LTM	DESCRIPTION	DATE	OWN	APVD
		-		SEE SHEET 1			

# FEED TYPE MECHANICAL



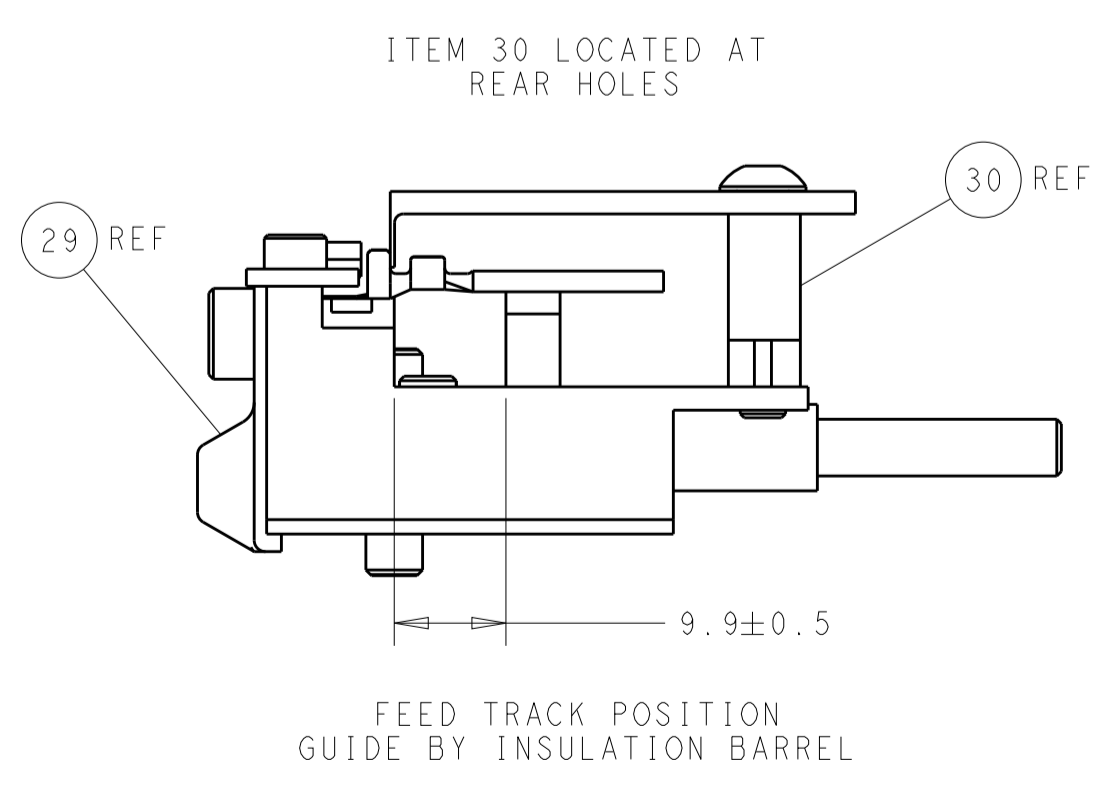
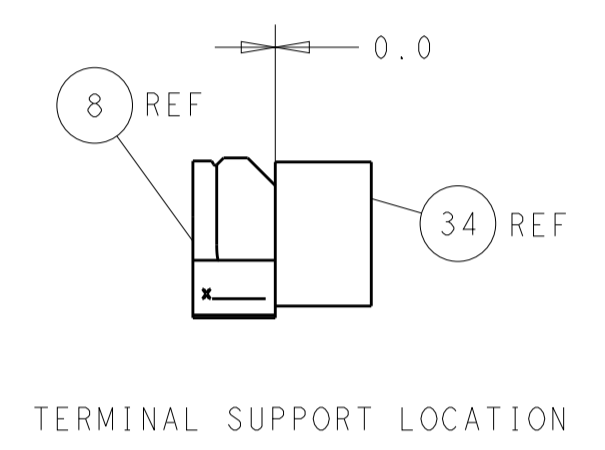
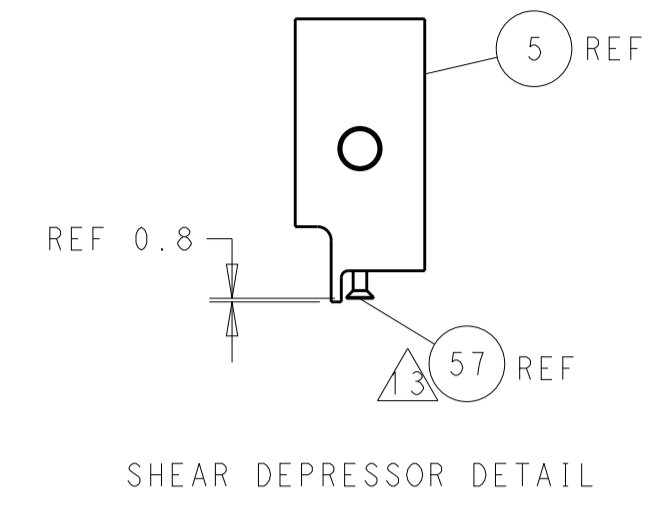
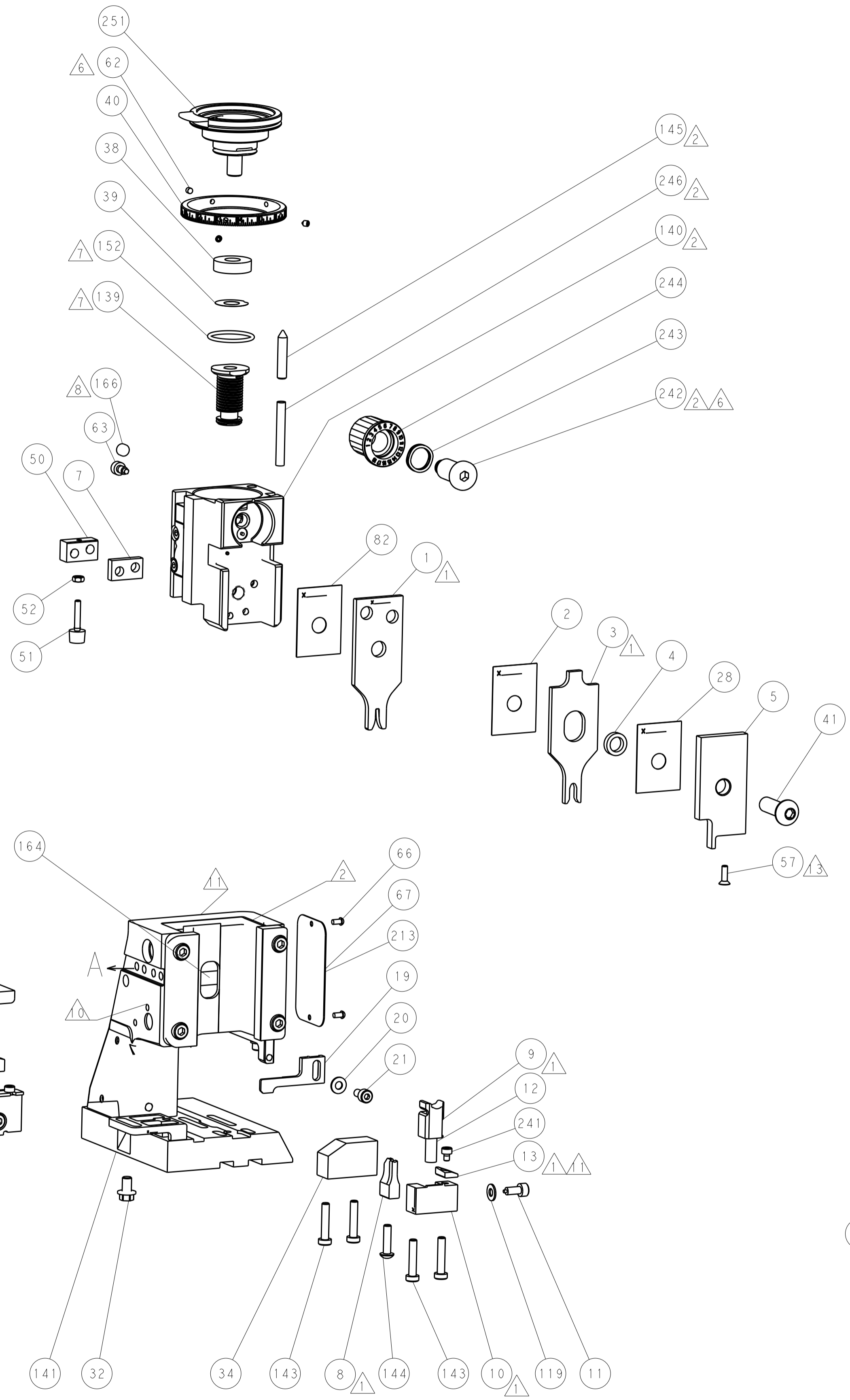
# PNEUMATIC



# SERVO LATCH PLATE



# CAM POSITIONS



**PACIFIC VERSION**  
 Shown on sheets 3 of 4 & 4 of 4  
 (Atlantic version shown on sheets 1 of 4 & 2 of 4)

DIMENSIONS:		TOLERANCES UNLESS OTHERWISE SPECIFIED:		DWN: R. HUANG 29AUG2012		CHK: S. XI 29AUG2012		APVD: S. XI 29AUG2012		NAME: Ocean Side Feed Applicator	
mm	0 PLC	±		PRODUCT SPEC		SIZE	CAGE CODE	DRAWING NO	RESTRICTED TO		
	1 PLC	±		APPLICATION SPEC		A1	00779	©=2151480			
	2 PLC	±		WEIGHT		SCALE	1:2	SHEET	4	OF	4
	3 PLC	±		CUSTOMER DRAWING		REV					
	4 PLC	±									
	ANGLES	±									
	FINISH										