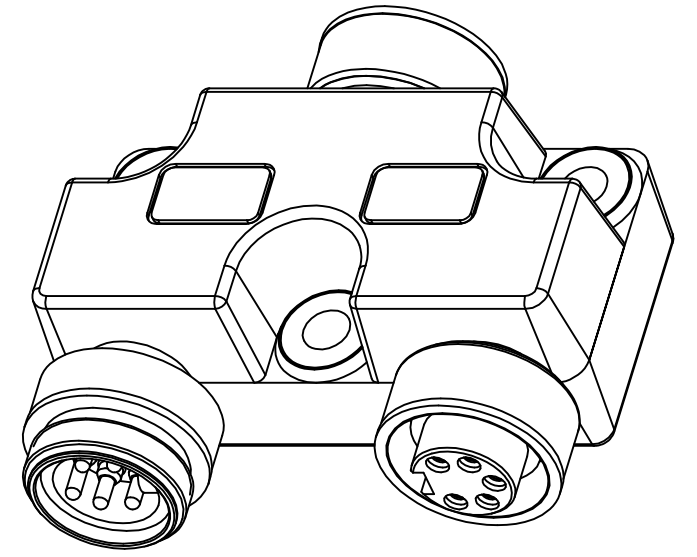
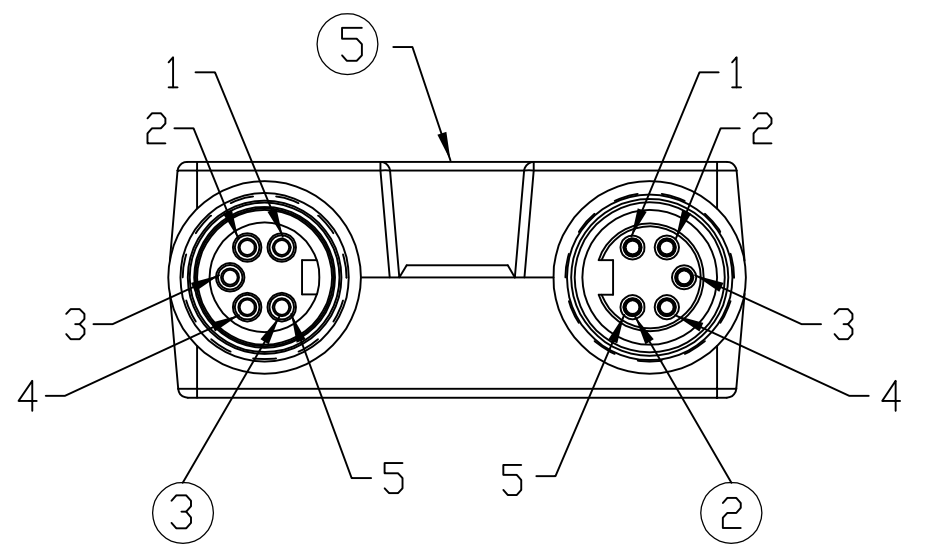
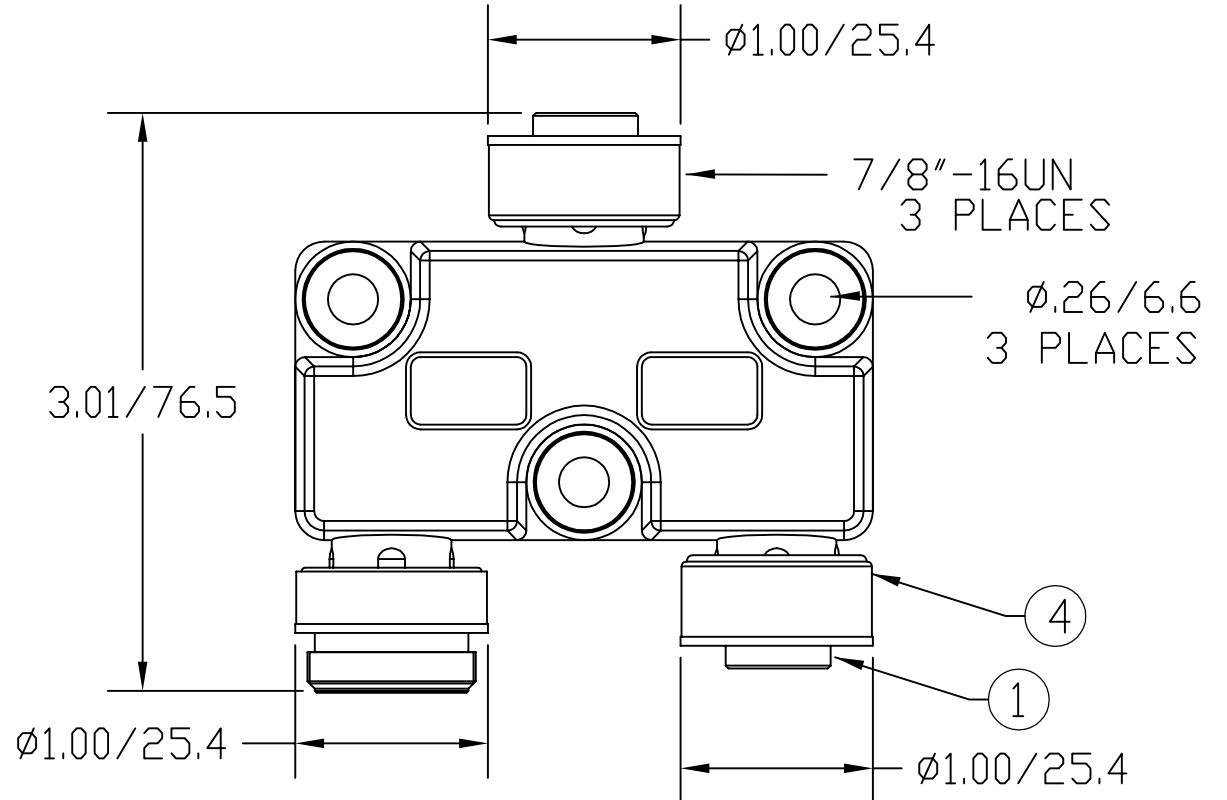
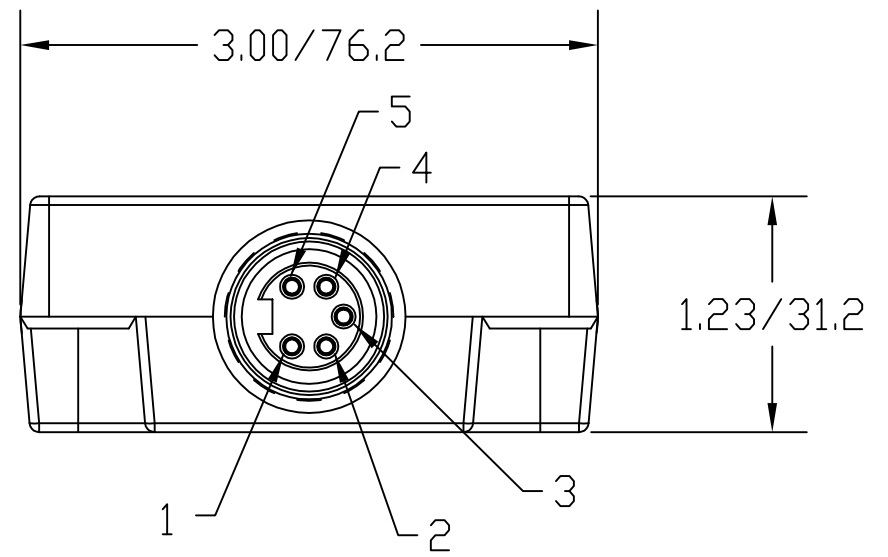
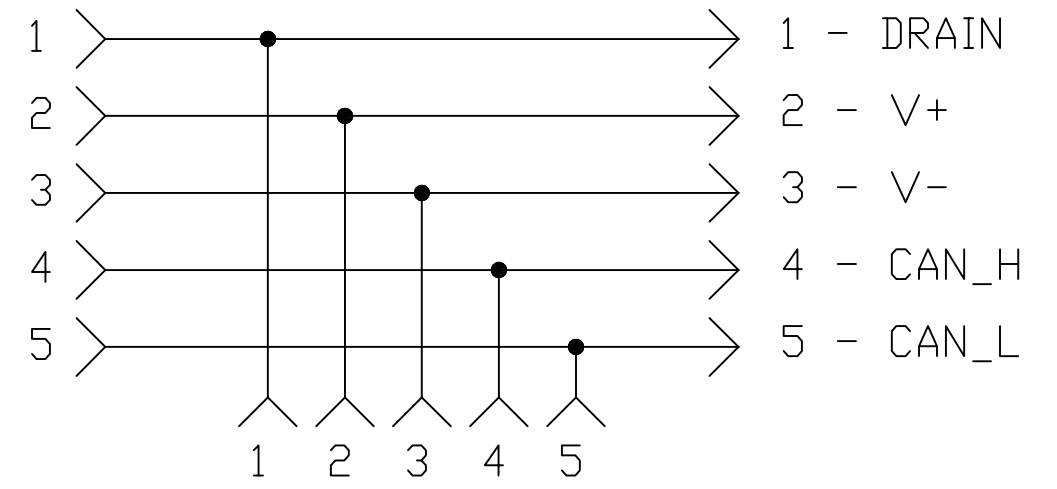


MATERIAL NUMBER	OLD PART NUMBER
130035-0071	DN3200



SCHEMATIC



VOLTAGE RATING	600 VAC/VDC
AMPERAGE RATING	8 AMPS
PROTECTION	IP67
OPERATING TEMPERATURE	-20°C TO 80°C
UL CERTIFICATIONS	UL RECOGNIZED, FILE NO. E152210
CSA CERTIFICATIONS	CSA CERTIFIED, FILE NO. LR6837

ITEM	COMPONENT	MATERIAL	FINISH
1	INSERT	TPE	GRAY
2	CONTACT SOCKET	COPPER ALLOY	GOLD OVER NICKEL
3	CONTACT PIN	COPPER ALLOY	GOLD OVER NICKEL
4	COUPLING NUT	ZINC DIE CAST	BLACK E-COATED
5	OVERMOLD	TPE	GRAY

RLSO DRAWING  
 EC NO: WNA2010-0120  
 DRWN: BWOODMAN 8/24/09  
 CH'KD: KJ  
 APPR: JFMURPHY 2009/08/27  
 DESCRIPTION  
 REV A

**QUALITY SYMBOL**  
 ▽=0  
 ▽=0  
**GENERAL TOLERANCES (UNLESS SPECIFIED)**  

	mm	INCH
4 PLACES	±----	±----
3 PLACES	±----	±----
2 PLACES	±----	±.01
1 PLACE	±0.3	±----

 ANGULAR ±----°  
**DRAFT WHERE APPLICABLE MUST REMAIN WITHIN DIMENSIONS**

**DIMENSION STYLE**  
 IN/MM  
 DRAWN BY: BW DATE: 2009/08/24  
 CHECKED BY: JM DATE: 2009/08/24  
 APPROVED BY: JFMURPHY DATE: 2009/08/26  
 MATERIAL NO.: 1300350057  
 SIZE: C

SCALE: ---  
 DESIGN UNITS: ---  
 THIRD ANGLE PROJECTION  
**MINI 5-POLE TEE WYE DEVICENET**  
 MOLEX INCORPORATED  
 DOCUMENT NO.: SD-130035-007  
 SHEET NO.: 1 OF 1  
 THIS DRAWING CONTAINS INFORMATION THAT IS PROPRIETARY TO MOLEX INCORPORATED AND SHOULD NOT BE USED WITHOUT WRITTEN PERMISSION