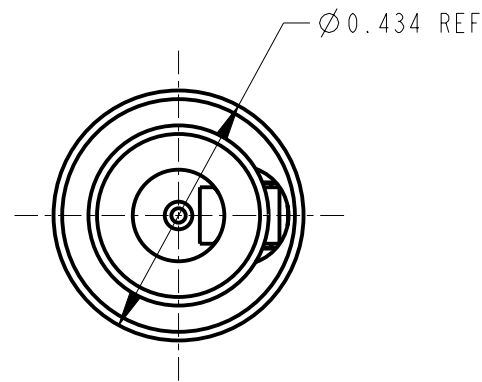


NOTE:

1. HARDWARE NOT SHOWN.



MATERIAL:

MOUNTING BUSHING: COPPER ALLOY, NICKEL PLATED.

HOUSING: LEXAN, BLACK.

PIN, SPRING AND TERMINALS: COPPER ALLOY, SILVER PLATED.

INSULATORS: PHENOLIC.

HARDWARE: HEX NUT: BRASS, NICKEL PLATED
FLAT WASHER: STEEL NICKEL PLATED.



CIRCUIT DIAGRAM

CUSTOMER DRAWING

					★ STAR SYMBOL DENOTES CRITICAL DIMENSION	THIS DRAWING DESCRIBES A DESIGN CONSIDERED PROPRIETARY IN NATURE, DEVELOPED AND MANUFACTURED BY SWITCHCRAFT INC. AND IS RELEASED ON A CONFIDENTIAL BASIS FOR IDENTIFICATION PURPOSES ONLY.				
					UNLESS OTHERWISE SPECIFIED	SIZE	WIDTH	MULT	LBS/M	TEMPER
					1. ALL DIMENSIONS IN INCHES - TWO PLACE DECIMALS ±0.01 - THREE PLACE DECIMALS ±0.005 - ANGLES ±1° - ALL DIA. CONCENTRIC WITHIN 0.005 T.I.R.	FINISH			MATERIAL	
					2. FEATURES ON THE SAME CENTERLINE MUST BE ALIGNED WITHIN ±0.002	SPEC No.			SPEC No.	
					3. REMOVE ALL BURRS	FIRST USED ON		SCALE 3:1		
A	FIRST DRAWN	12-22-98	RC	MW	DATE DRAWN	BY	CHKD	APVD	Switchcraft®	
REV	ECO NUMBER	DATE	BY	APVD	22-Dec-98	RC	MW 12-22-98	MW 12-22-98		
REVISIONS					DO NOT SCALE DRAWING	NAME			PART No.	
						MINIATURE POWER JACK			732A	
									REV A	