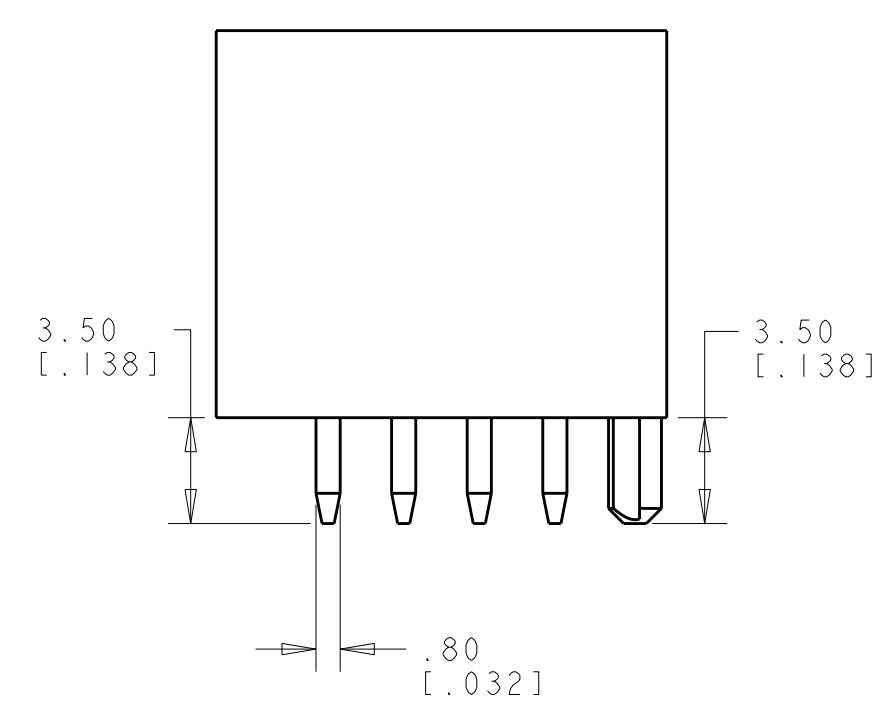
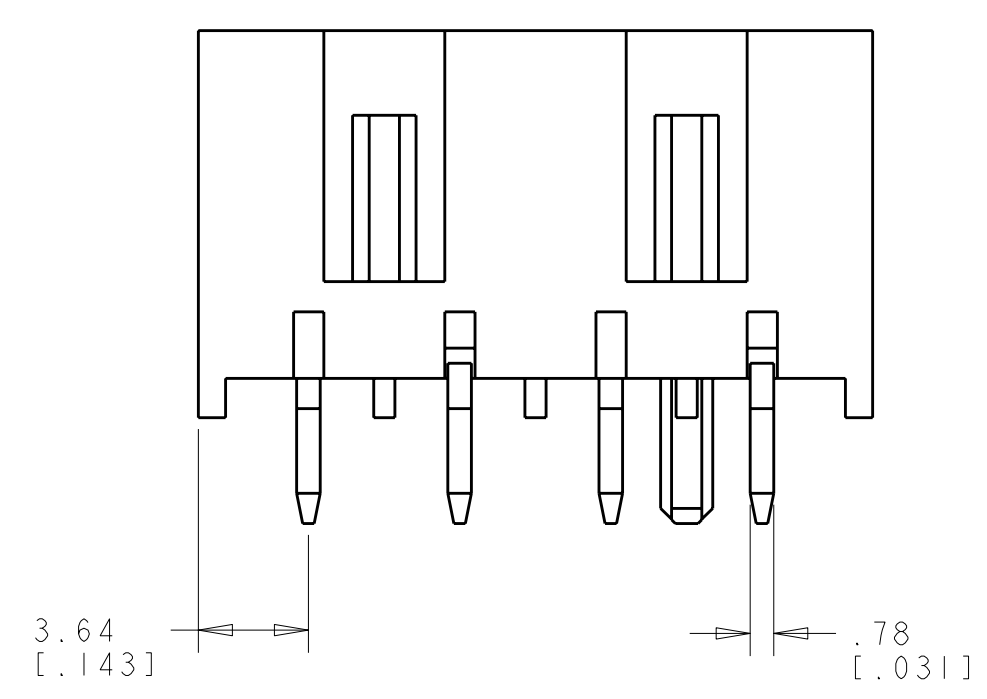
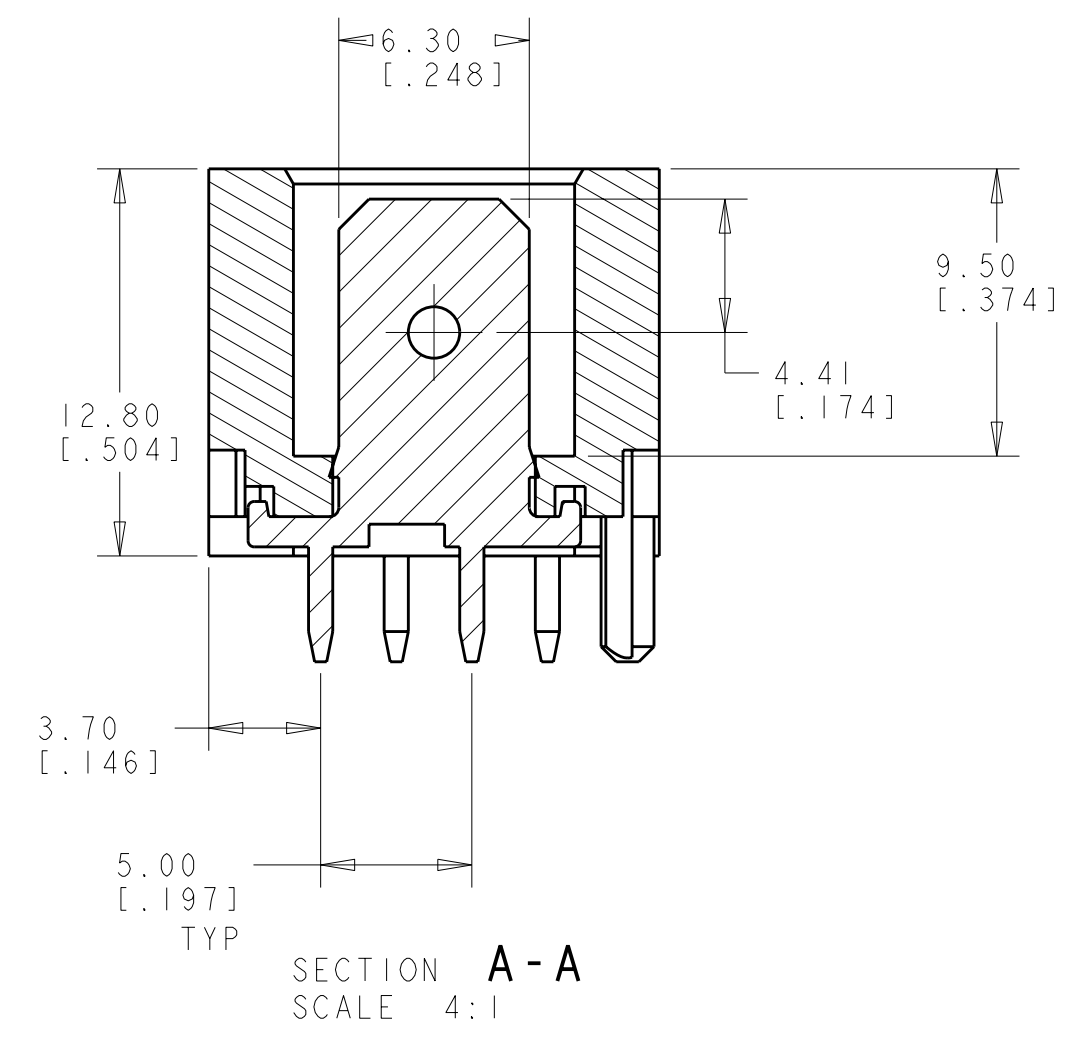
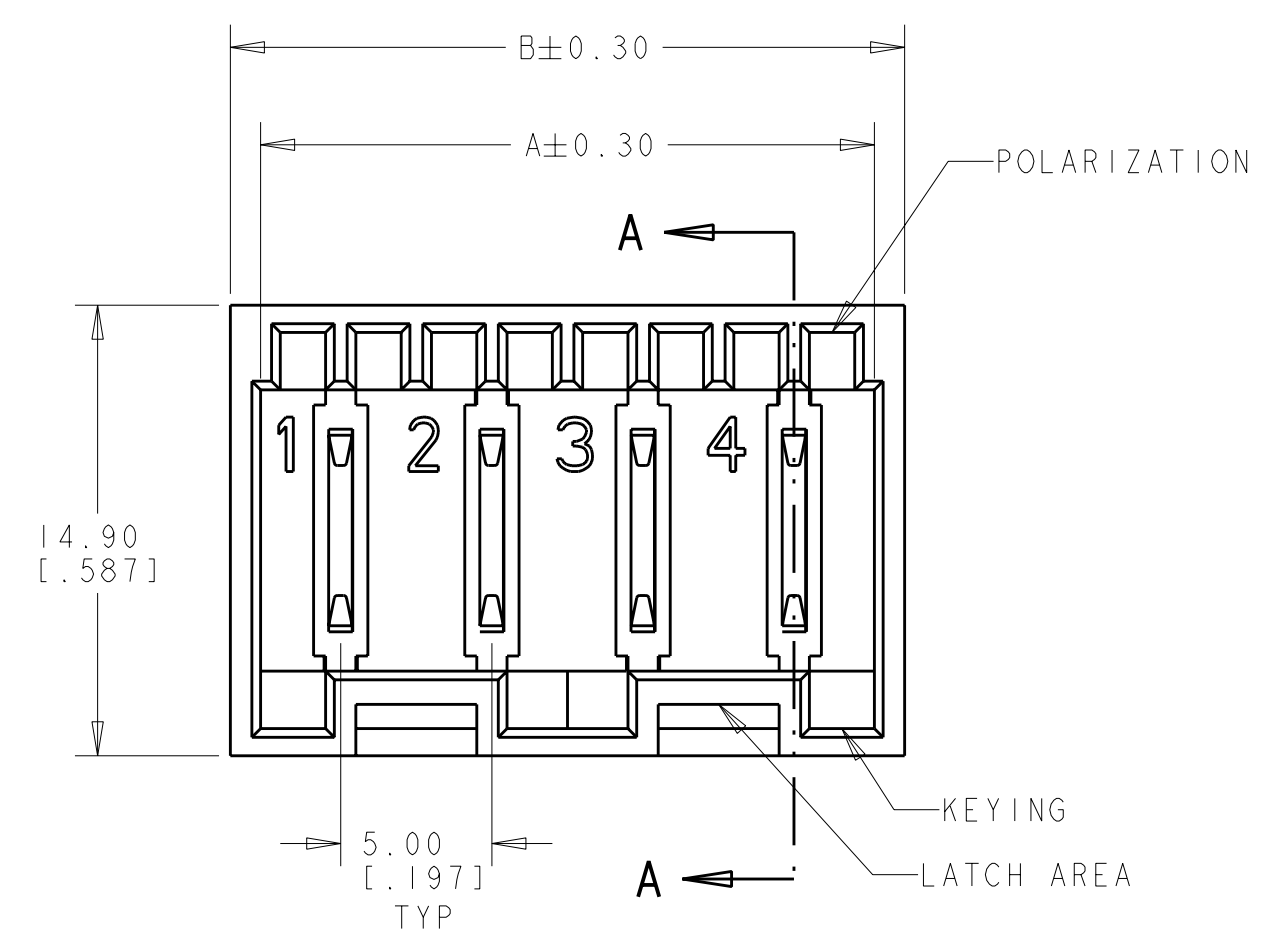
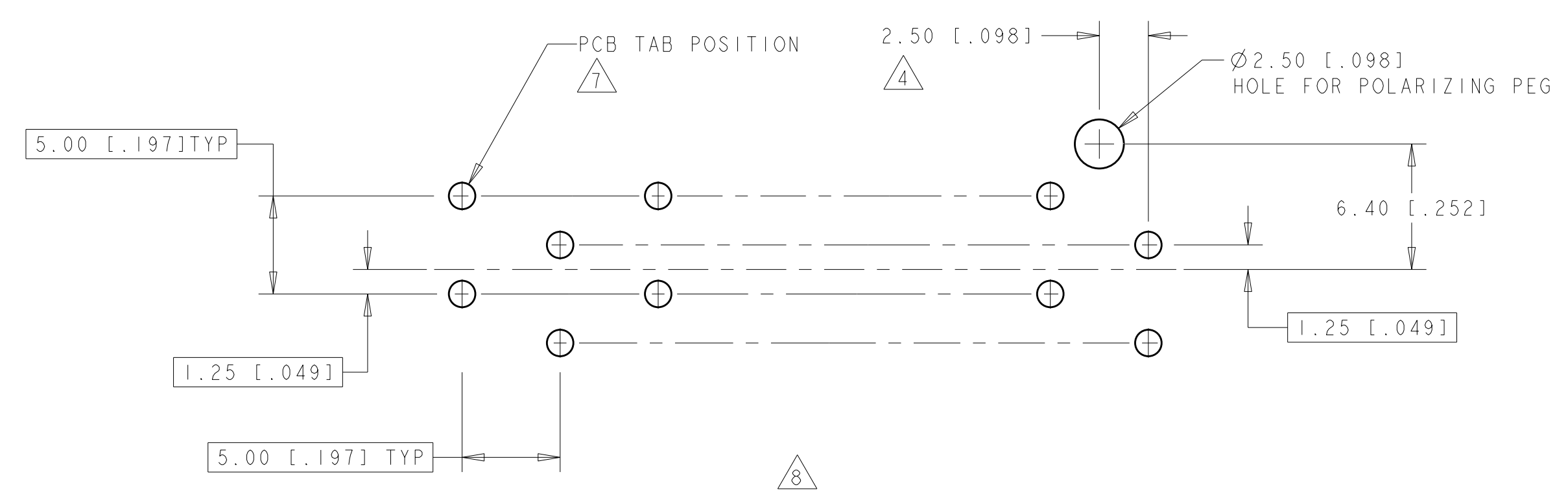


LOC	DIST	REVISIONS			
P	LT#	DESCRIPTION	DATE	DWN	APVD
AF	50	C5	REVISED PER ECR-08-010391	20JUN2008	HMR RL



- HOUSING HAS RAST 5 COMPLIANT KEYING, LATCHING, AND POLARIZATION. TAB IS 6.3 x 0.8 [.248 x .032] ACCORDING TO DIN 46244.
  - POSSIBLE MATING CONNECTOR FAMILIES INCLUDE STANDARD TIMER RAST 5, MULTIFITTING, MULTIFITTING MKII, AND MONO-SHAPE TAB CONNECTORS.
  - SEE SHEET 2 FOR AVAILABLE CONFIGURATIONS.
- ⚠️ DIMENSION OFF OF LAST POSITION REGARDLESS OF EVEN OR ODD POSITION CONNECTOR.
  - ⚠️ MATERIAL: HOUSING, NYLON 66, UL 94V-0. CONTACT, BRASS, 0.8 mm THICK.
  - ⚠️ FINISH: CONTACTS, 3.8 μm MIN TIN OVER 1.3 μm MIN NICKEL.
  - ⚠️ PCB TABS INSERTED IN A STAGGERED PATTERN BEGINNING WITH POSITION 1.
  - ⚠️ SELECTED HOLES MAY BE 1.05+0.05/-0.00 DIA [.041+.002/- .001 DIA] FOR IMPROVED (PRESS-FIT) RETENTION TO P.C.B. PRIOR TO SOLDERING.
  - 9. PRODUCT QUALIFICATION PER 108-2183
  - ⚠️ PRELIMINARY - NOT FOR PRODUCTION



PCB LAYOUT - COMPONENT SIDE  
 PCB 1.5±0.2 [.059±.007] THICK  
 SCALE 4:1

47.3	45.3	9
42.3	40.3	8
37.3	35.3	7
32.3	30.3	6
27.3	25.3	5
22.3	20.3	4
17.3	15.3	3
12.3	10.3	2
B	A	NO. OF POS.

DIMENSIONS: mm [ INCHES ]		TOLERANCES UNLESS OTHERWISE SPECIFIED: 9 PLC ± 1 PLC ± 2 PLC ±0.25(.010) 3 PLC ± 4 PLC ± ANGLES ±2°		DWN R FLAIG 02MAR2004 CHK J HUMMEL 02MAR2004 APVD J HUMMEL 02MAR2004		Tyco Electronics Harrisburg, PA 17105-3608	
MATERIAL:		FINISH:		WEIGHT:		NAME: ASSEMBLY, DIN, RAST 5, HEADER, VERTICAL	
CUSTOMER DRAWING		SCALE 4:1		SHEET 1 OF 3		REV C5	

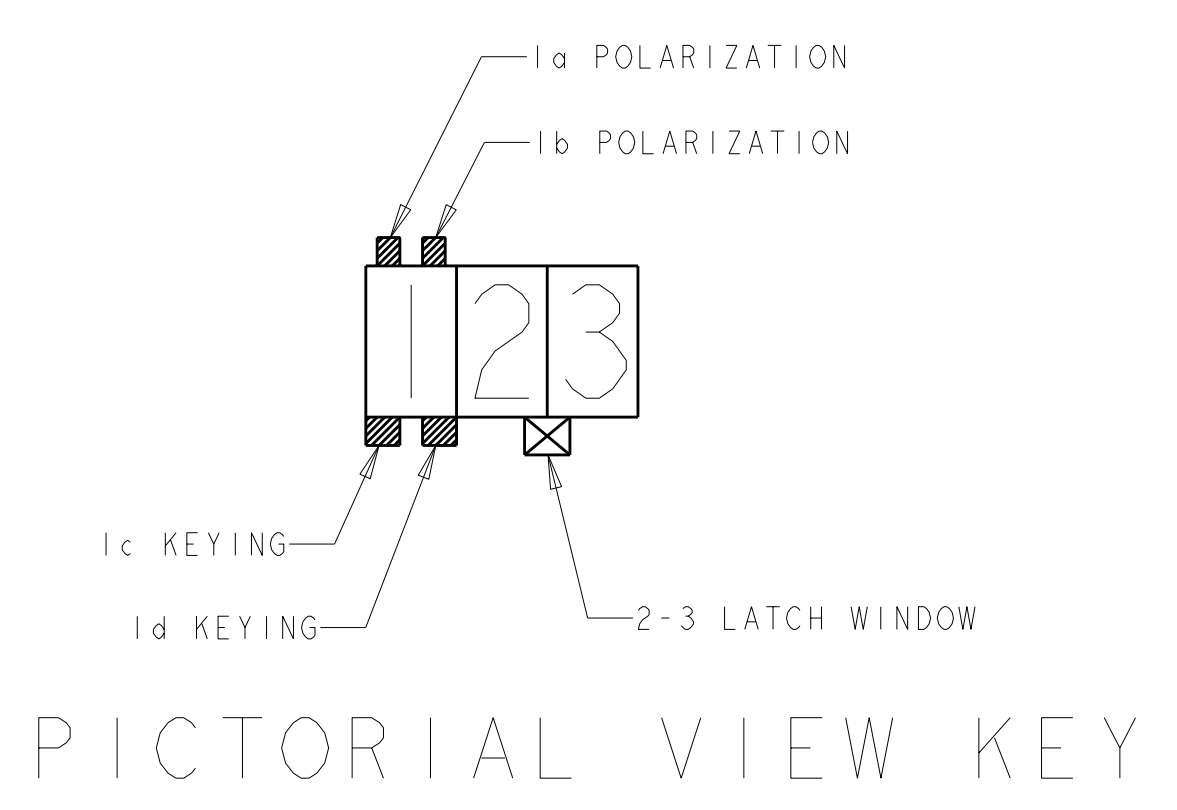
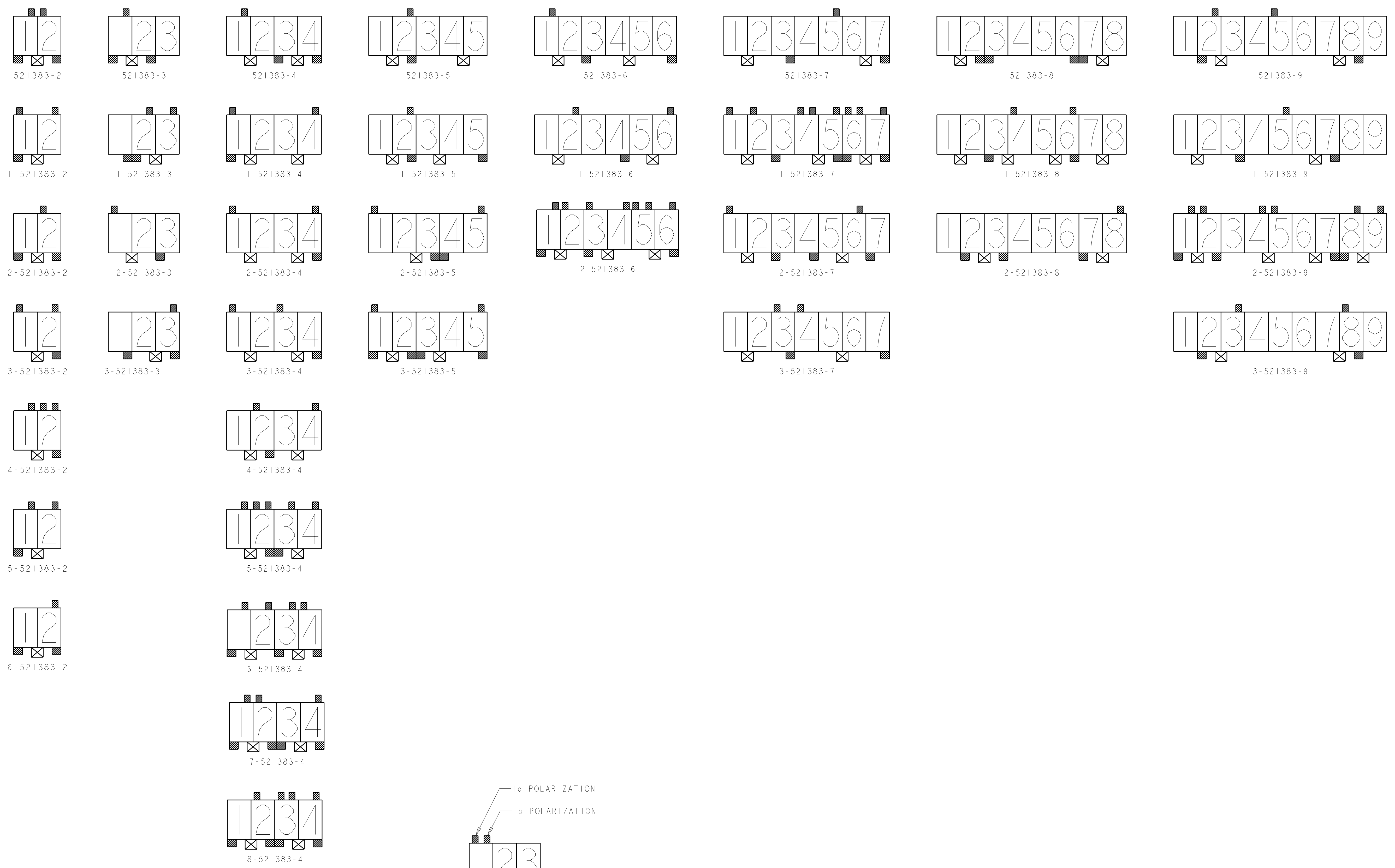
THIS DRAWING IS UNPUBLISHED. RELEASED FOR PUBLICATION 20  
 © COPYRIGHT 20 BY TYCO ELECTRONICS CORPORATION. ALL RIGHTS RESERVED.

LOC		DIST		REVISIONS			
P	LTB	DESCRIPTION	DATE	DWN	APVD		
-	-	SEE SHEET 1	-	-	-		

NO.	DESCRIPTION	QTY	UNIT	DATE	REV	DESCRIPTION
1-2, 3-4, 5-6	1c, 3c, 6d	1b, 2a, 3a, 4b 5a, 5b, 6b	6	-	10	2-521383-6
2-3, 7-8	2c, 8d	3b, 8a	9	-	10	3-521383-9
1-2, 4-5, 6-7, 8-9	1c, 2d, 7d, 8c	1b, 2a, 4b, 5a, 8b, 9b	9	-	10	2-521383-9
1-2, 6-7	3d, 7d	5b	9	09-D	10	1-521383-9
2-3, 7-8	2c, 8d	2b, 5a	9	09-C +2c	10	521383-9
2-3, 7-8	2c, 3d, 7c	8b	8	08-C		2-521383-8
1-2, 3-4, 5-6 7-8	3c, 6d	4a, 6b	8	-		1-521383-8
1-2, 7-8	2d, 3c, 6d, 7c	-	8	08-D		521383-8
1-2, 5-6	3d, 7d	3a, 4a	7	-		3-521383-7
1-2, 5-6	3c, 4d, 7c	1a, 6b	7	-		2-521383-7
1-2, 4-5, 6-7	3c, 5d, 6c, 7d	1a, 2a, 4a, 4b, 5b, 6a, 6b, 7b	7	-		1-521383-7
1-2, 6-7	3d, 7d	5b	7	07-C		521383-7
1-2, 5-6	4d	2b, 6b	6	06-D		1-521383-6
1-2, 4-5	3c, 6d	1b	6	06-A		521383-6
1-2, 3-4	1c, 2d, 3c, 5d	1a, 5b	5	-		3-521383-5
2-3	3d, 4c	1a, 5b	5	-		2-521383-5
1-2, 3-4	2d, 5d	2b	5	-		1-521383-5
1-2, 4-5	2d	2b	5	05-B		521383-5
1-2, 3-4	1c, 2d, 3c, 4d	2a, 3a, 3b, 4b	4	-	10	8-521383-4
1-2, 3-4	1c, 2d, 3c, 4d	1b, 2a, 4b	4	-	10	7-521383-4
1-2, 3-4	1c, 3c, 4d,	1b, 2b, 3b, 4a	4	-	10	6-521383-4
1-2, 3-4	2d, 3c	1b, 2a, 2b, 3b, 4b	4	-		5-521383-4
1-2, 3-4	2d	2a, 4b	4	04-G		4-521383-4
1-2, 3-4	4d	1a, 3a	4	04-F		3-521383-4
1-2, 3-4	4d	1a, 4b	4	04-C		2-521383-4
1-2, 3-4	1c	1a, 4b	4	04-B		1-521383-4
1-2, 3-4	3c, 4d	1b	4	04-A		521383-4
2-3	1d, 3d	3b	3	-		3-521383-3
1-2	3c	1a	3	03-D		2-521383-3
2-3	1d, 2c	2b, 3b	3	03-B		1-521383-3
1-2	1c, 2d	1b	3	03-A		521383-3
1-2	1c, 2d	2b	2	02-P		6-521383-2
1-2	1c	1b, 2b	2	02-I		5-521383-2
1-2	2d	1b, 2a, 2b	2	02-G		4-521383-2
1-2	2d	1a, 2b	2	02-E		3-521383-2
1-2	1c, 2d	2a	2	02-C		2-521383-2
1-2	1c	1a, 2b	2	02-B		1-521383-2
1-2	1c, 2d	1b, 2a	2	02-A		521383-2
LATCH WINDOWS	KEYING	POLAR.	NO. OF POS.	RAST 5 DESIG.	PART NUMBER	

DIMENSIONS: mm [INCHES] 		TOLERANCES UNLESS OTHERWISE SPECIFIED: 9 PLC ± 1 PLC ±0.25(0.010) 5 PLC ± 4 PLC ± ANGLES ±2° FINISH		DWN R. FLAIG 02MAR2004 CHK J. HUMMEL 02MAR2004 APVD J. HUMMEL 02MAR2004		Tyco Electronics Harrisburg, PA 17105-3608	
MATERIAL: - FINISH: -		WEIGHT: - CUSTOMER DRAWING		NAME: ASSEMBLY, DIN, RAST 5, HEADER, VERTICAL PRODUCT SPEC: 108-2183 APPLICATION SPEC: -		SIZE: A   CAGE CODE: 00779   DRAWING NO: 521383 SCALE: 4:1   SHEET: 2 OF 3   REV: C.5	

LOC	DIST	REV	DATE	BY	CHKD	APVD	DESCRIPTION	DATE	DWN	APVD
AF	50	-					SEE SHEET 1			



<small>THIS DRAWING IS UNPUBLISHED. RELEASED FOR PUBLICATION. ALL RIGHTS RESERVED. THIS DRAWING IS UNPUBLISHED. RELEASED FOR PUBLICATION. ALL RIGHTS RESERVED. THIS DRAWING IS UNPUBLISHED. RELEASED FOR PUBLICATION. ALL RIGHTS RESERVED.</small>		DWN R FLAIG 02MAR2004 CHK J HUMMEL 02MAR2004 APVD J HUMMEL 02MAR2004	Tyco Electronics Harrisburg, PA 17105-3608
DIMENSIONS: mm [INCHES] 		TOLERANCES UNLESS OTHERWISE SPECIFIED: 9 PLC ± 1 PLC ±0.25(0.010) 3 PLC ± 4 PLC ± ANGLES ±2° FINISH	NAME ASSEMBLY, DIN, RAST 5, HEADER, VERTICAL PRODUCT SPEC 108-2183 APPLICATION SPEC SIZE CAGE CODE DRAWING NO. RESTRICTED TO A11 00779 C=521383
MATERIAL		WEIGHT	SCALE 4:1 SHEET 3 OF 3 REV C5
		CUSTOMER DRAWING	