

10 9 8 7 6 5 4 3 2 1

F

E

D

C

B

A

F

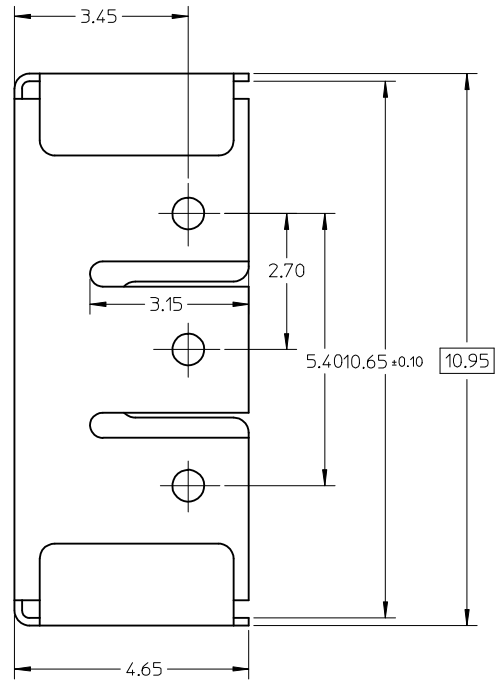
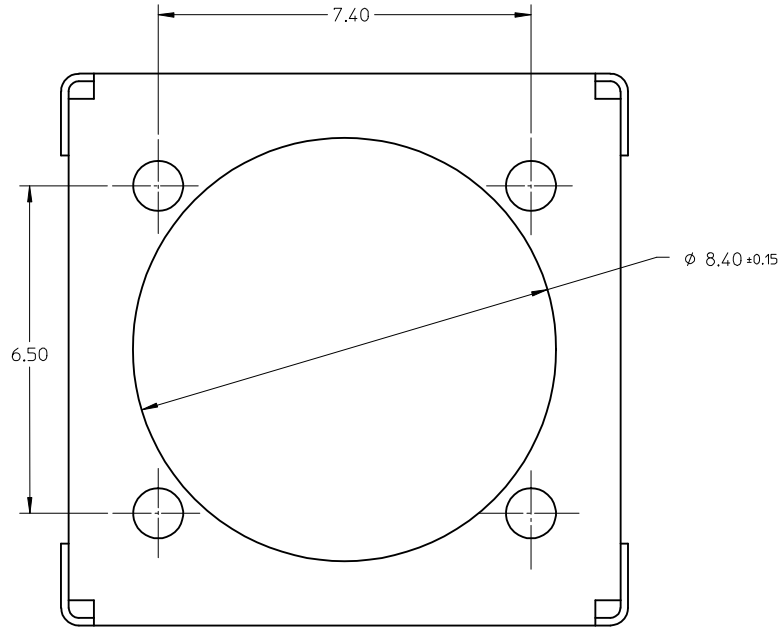
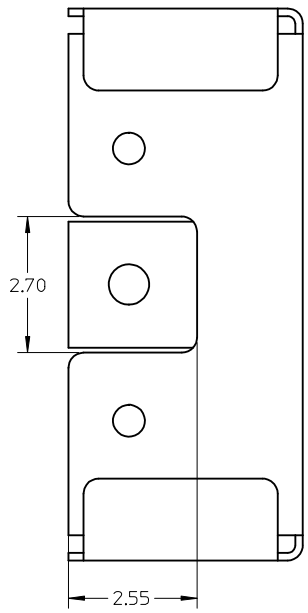
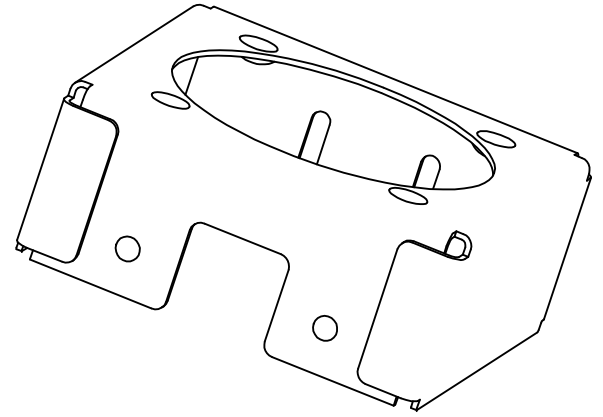
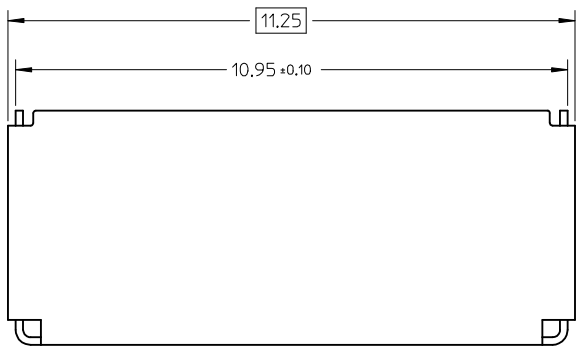
E

D

C

B

A



Notes:
 1.MATERIALS:STAINLESS STEEL.
 2.FINISH:NONPLATED.

RELEASE EC NO: SH2007-0619 DRWN: IHE CHKD: XIXU APPR: JINCHEN 2007/03/06 2007/03/06 2007/03/06	QUALITY SYMBOLS	GENERAL TOLERANCES (UNLESS SPECIFIED)	DIMENSION STYLE	SCALE	DESIGN UNITS	THIRD ANGLE PROJECTION
	$\nabla=0$ $\nabla C=0$	mm INCH 4 PLACES ± --- ± --- 3 PLACES ± --- ± --- 2 PLACES ± 0.25 ± --- 1 PLACE ± 0.25 ± --- ANGULAR ± 1 °	MM ONLY	10:1	METRIC	
	DESCRIPTION	DRAFT WHERE APPLICABLE MUST REMAIN WITHIN DIMENSIONS	DRAWN BY	DATE	TITLE	
	REV		IVAN HE	2006/06/16	TOP COVER FOR CAMERA SOCKET 8.5*8.5 TOP MOUNT	
			CHECKED BY	DATE	MOLEX INCORPORATED	
			XIXU	2006/06/16	DOCUMENT NO.	SHEET NO.
			APPROVED BY	DATE	SD-47337-002	1 OF 1
			JENNY CHEN	2006/06/16	THIS DRAWING CONTAINS INFORMATION THAT IS PROPRIETARY TO MOLEX INCORPORATED AND SHOULD NOT BE USED WITHOUT WRITTEN PERMISSION	
			MATERIAL NO.	473370005		
			SIZE	A3		

9 8 7 6 5 4 3 2 1