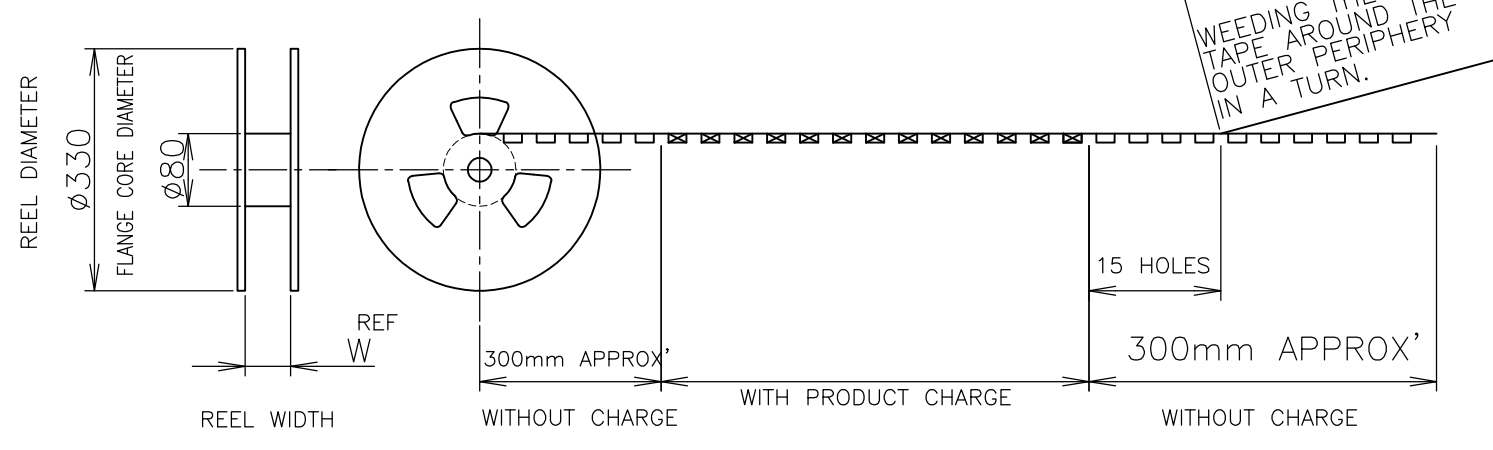
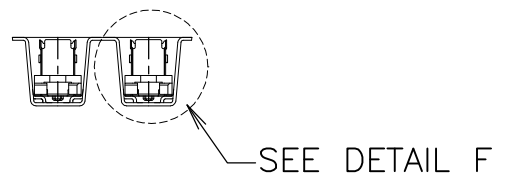
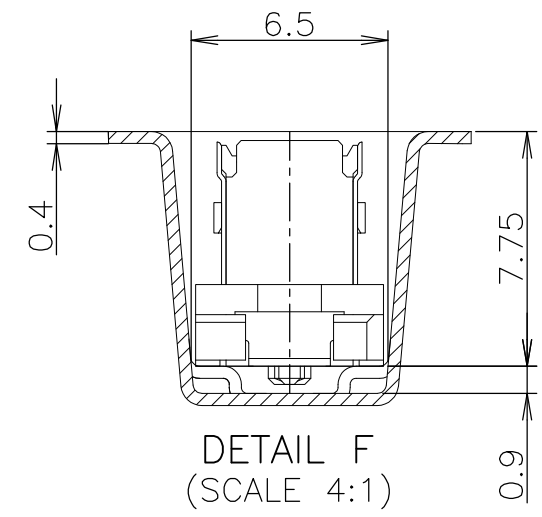
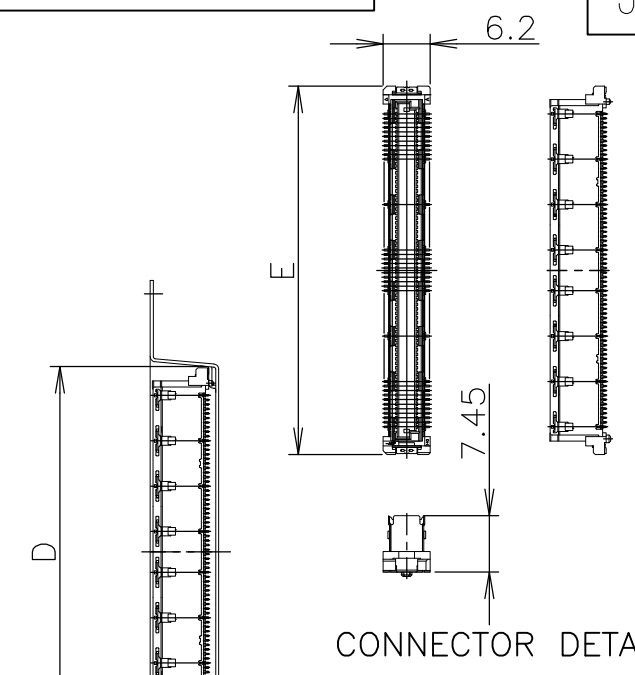
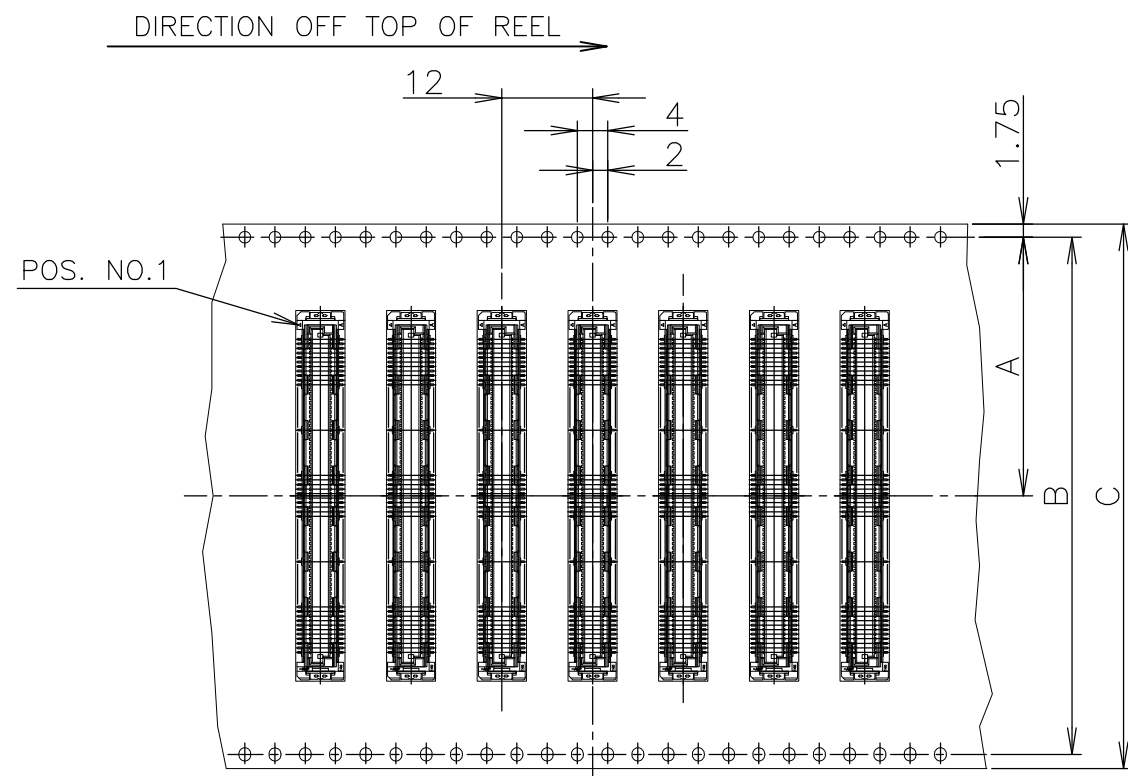


THIS DRAWING IS UNPUBLISHED. RELEASED FOR PUBLICATION JUN , 1996.
 © COPYRIGHT 1996 BY TYCO ELECTRONICS CORPORATION. ALL RIGHTS RESERVED.

LOC		DIST		REVISIONS			DATE	DWN	APVD
J				変更					
P	LTR	DESCRIPTION			DATE	DWN	APVD		
	C	REVISED	ECR-07-031084		01FEB08	T.T	T.F		



WEEDING THE COVER TAPE AROUND THE OUTER PERIPHERY IN A TURN.

SEALANT	AVAILABLE	600	77.5	54.7	55	72	68.4	34.2	160	6-353188-1	
	AVAILABLE	↑	77.5	48.7	49	72	68.4	34.2	140	6-↑-0	
	NOT AVAILABLE		61.5	42.7	43	56	52.4	26.2	120	5-↑-9	
	↑		61.5	36.7	37	56	52.4	26.2	100	5-↑-8	
			61.5	33.7	34	56	52.4	26.2	90	5-↑-7	
			49.5	30.7	31	44	40.4	20.2	80	5-↑-6	
			49.5	27.7	28	44	40.4	20.2	70	5-↑-5	
			49.5	24.7	25	44	40.4	20.2	60	5-↑-4	
			37.5	21.7	22	32	28.4	14.2	50	5-↑-3	
			37.5	18.7	19	32	28.4	14.2	40	5-↑-2	
	NOT AVAILABLE	600	29.5	15.7	16	24	↑	11.5	30	5-353188-1	
	NON SEALANT	AVAILABLE	600	77.5	54.7	55	72	68.4	34.2	160	1-353188-1
		AVAILABLE	↑	77.5	48.7	49	72	68.4	34.2	140	1-↑-0
		NOT AVAILABLE		61.5	42.7	43	56	52.4	26.2	120	↑-9
		↑		61.5	36.7	37	56	52.4	26.2	100	↑-8
			61.5	33.7	34	56	52.4	26.2	90	↑-7	
			49.5	30.7	31	44	40.4	20.2	80	↑-6	
			49.5	27.7	28	44	40.4	20.2	70	↑-5	
			49.5	24.7	25	44	40.4	20.2	60	↑-4	
			37.5	21.7	22	32	28.4	14.2	50	↑-3	
			37.5	18.7	19	32	28.4	14.2	40	↑-2	
NOT AVAILABLE		600	29.5	15.7	16	24	↑	11.5	30	353188-1	
TOOLING STATUS		QTY.	W	E	D	C	B	A	POS.	PART NO.	

THIS PRODUCT WAS COATED BY FLUX-PENETRATION -INHIBITING AGENT.

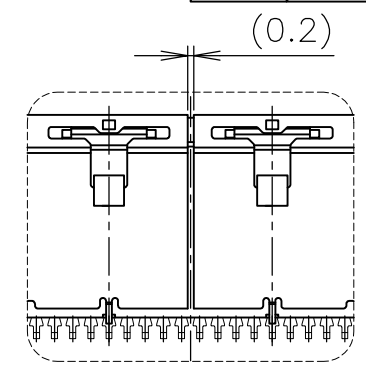
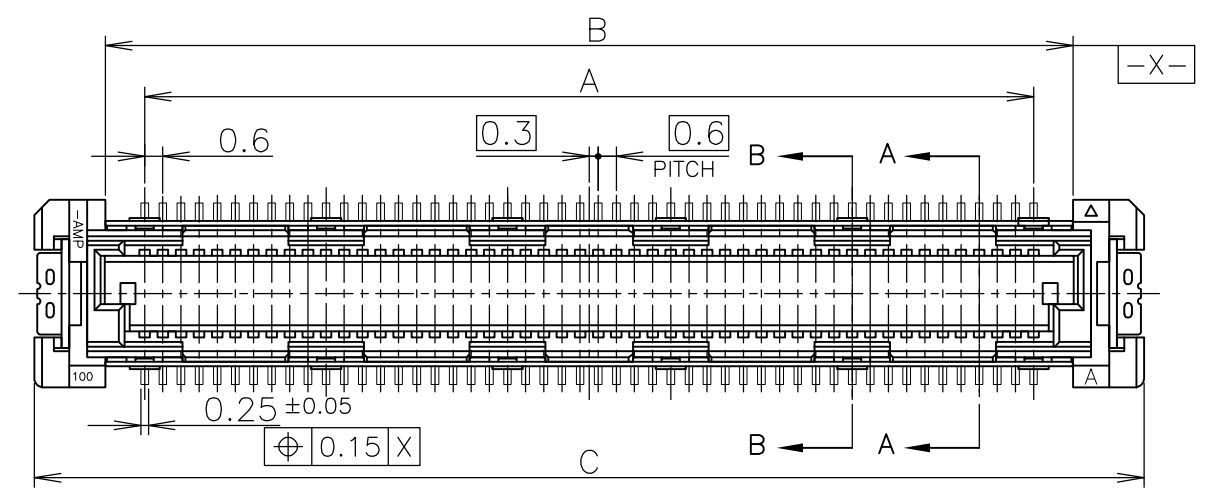
THIS DRAWING IS A CONTROLLED DOCUMENT.

DIMENSIONS: 単位: 耗 mm	TOLERANCES UNLESS OTHERWISE SPECIFIED: 一般公差	DWN T.KUSUHARA 06JUN96	OBSELETE NOT the LATEST REVISION
	0 PLC ± 0.2	CHK I.ENOMOTO 06JUN96	
	1 PLC ± 0.2	APVD Y.YOSHIMURA 06JUN96	
	2 PLC ± 0.2	NAME Y.YOSHIMURA	
3 PLC ± 0.2	4 PLC ± 0.2	PRODUCT SPEC 製品規格 108-5468	Tyco Electronics Corporation Kawasaki, Japan
4 ANGLES ± 5'	FINISH 仕上	APPLICATION SPEC 取付適用規格	EMBOSS ASSY
MATERIAL 材料		WEIGHT	FH 0.6BTB CONNECTOR PLUG 8TH WITH G-PLATE
			SIZE A3 CAGE CODE 00779 DRAWING NO. G-353188
			RESTRICTED TO

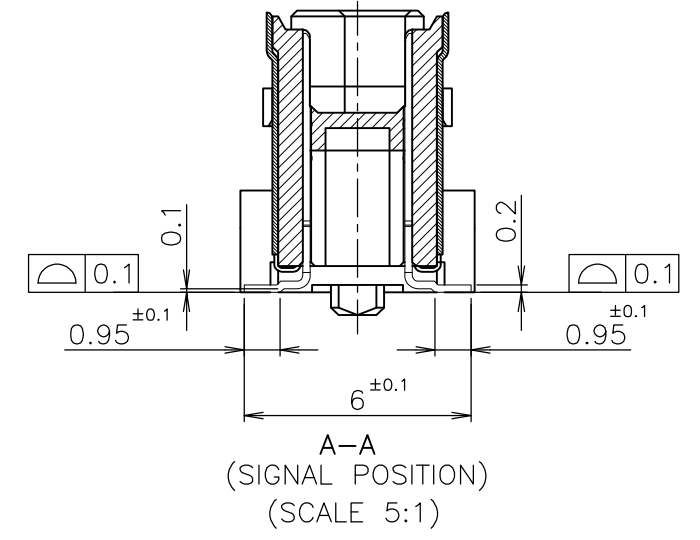
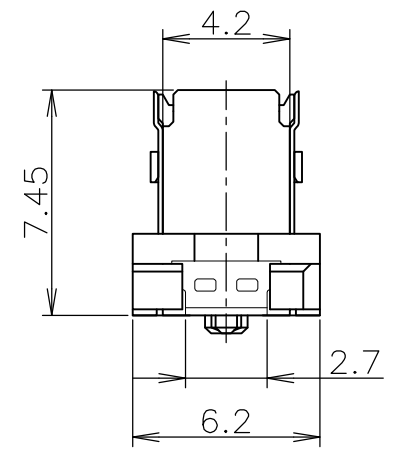
CUSTOMER DRAWING SCALE 1:1 SHEET 1 OF 3 REV C

THIS DRAWING IS UNPUBLISHED. RELEASED FOR PUBLICATION JUN ,1996.
 © COPYRIGHT 1996 BY TYCO ELECTRONICS CORPORATION. ALL RIGHTS RESERVED.

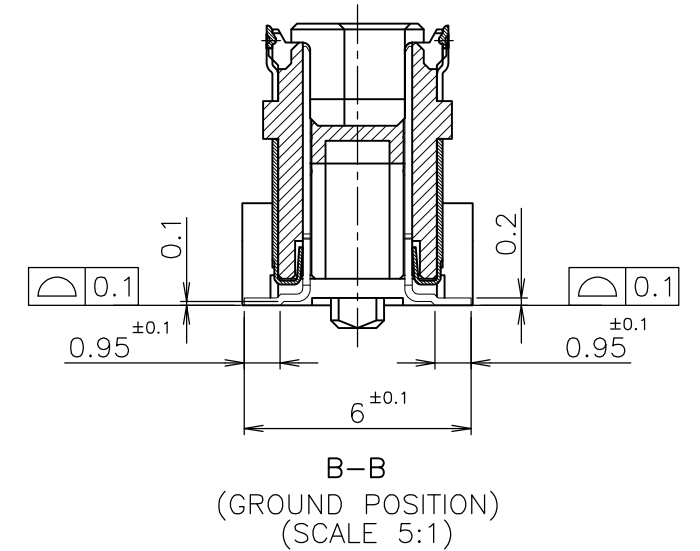
LOC		DIST		REVISIONS				
J				変更				
P	LTR	DESCRIPTION			DATE	DWN	APVD	
	-	SEE SHEET 1			-	-	-	



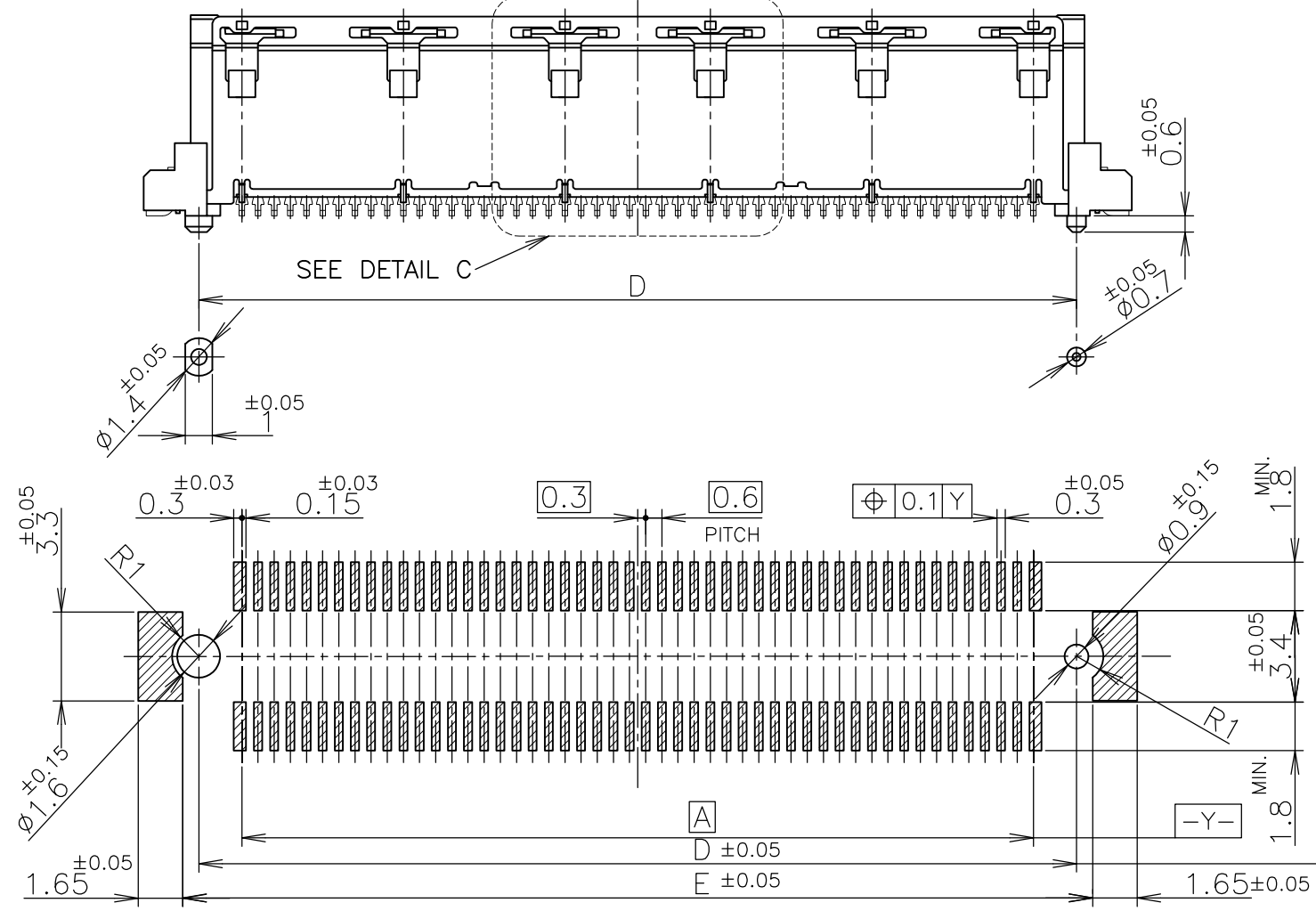
DETAIL C
180P~240P ONLY



A-A
(SIGNAL POSITION)
(SCALE 5:1)



B-B
(GROUND POSITION)
(SCALE 5:1)



AVAILABLE	51.8	50.6	54.7	50	47.4	160
AVAILABLE	45.8	44.6	48.7	44	41.4	140
NOT AVAILABLE	39.8	38.6	42.7	38	35.4	120
	33.8	32.6	36.7	32	29.4	100
	30.8	29.6	33.7	29	26.4	90
	27.8	26.6	30.7	26	23.4	80
	24.8	23.6	27.7	23	20.4	70
	21.8	20.6	24.7	20	17.4	60
	19.8	17.6	21.7	17	14.4	50
	15.8	14.6	18.7	14	11.4	40
NOT AVAILABLE	12.8	11.6	15.7	11	8.4	30
TOOLING STATUS	E	D	C	B	A	POS

REFERENCE P.C.BOARD LAYOUT

GENERAL TOLERANCE
一般公差

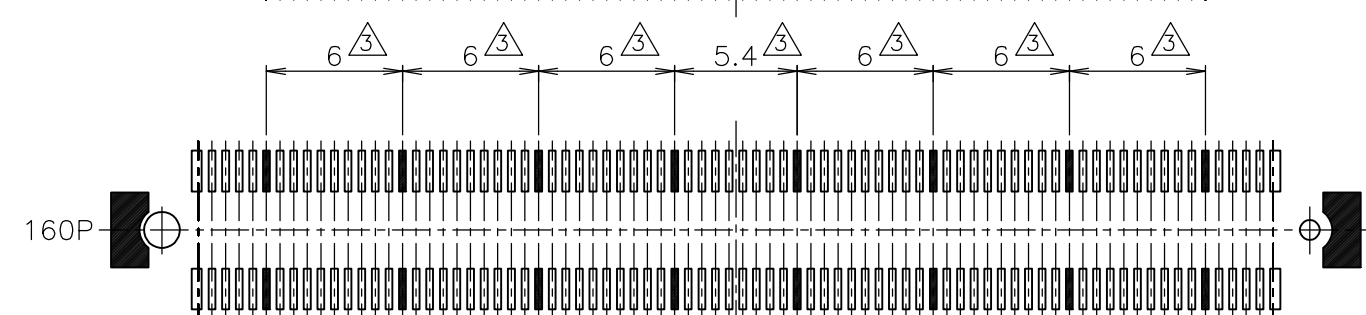
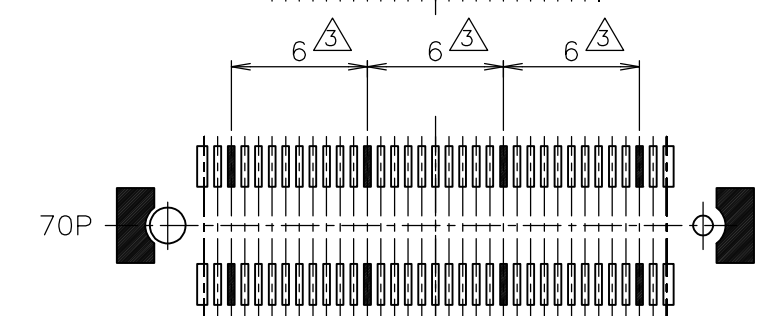
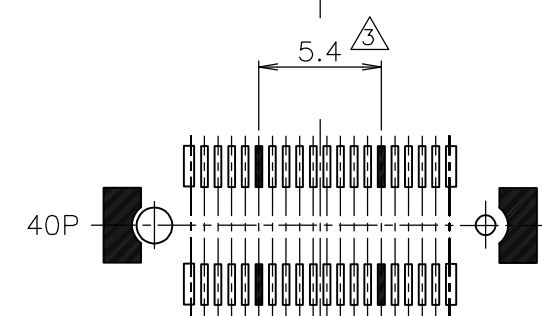
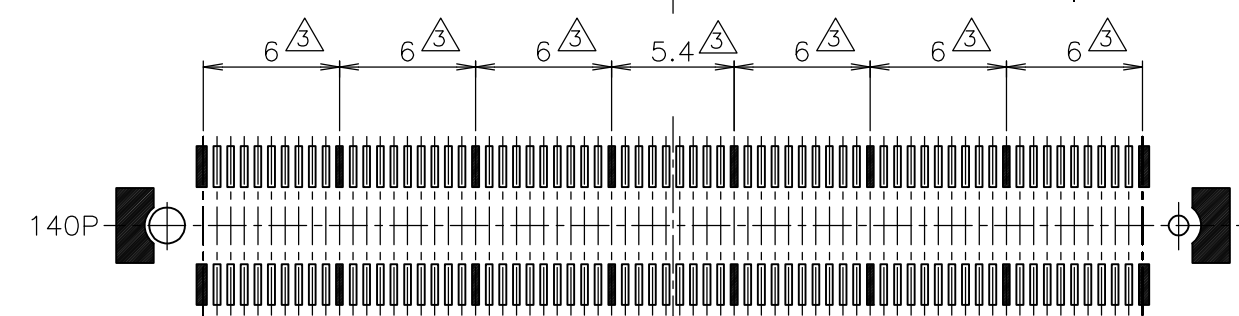
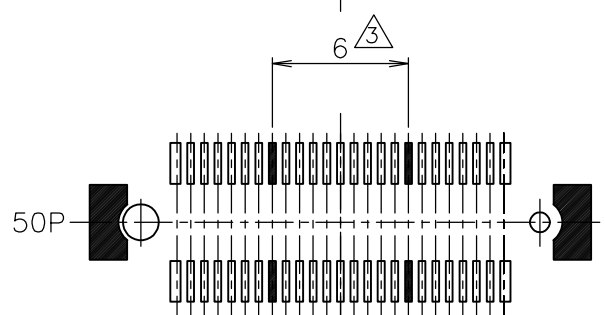
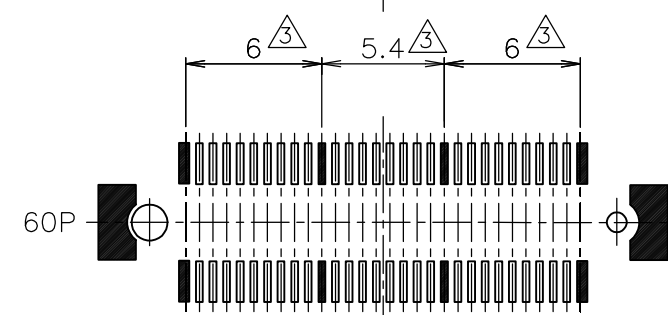
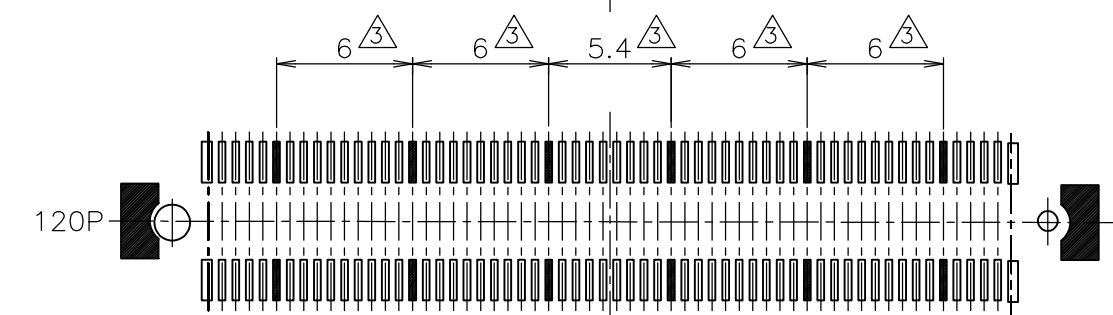
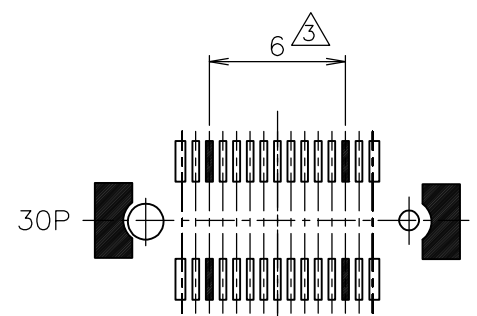
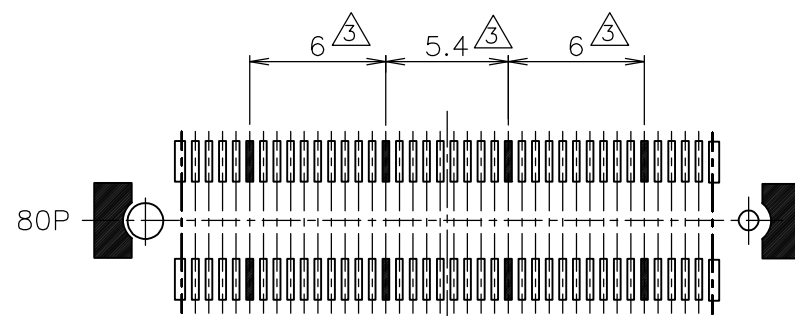
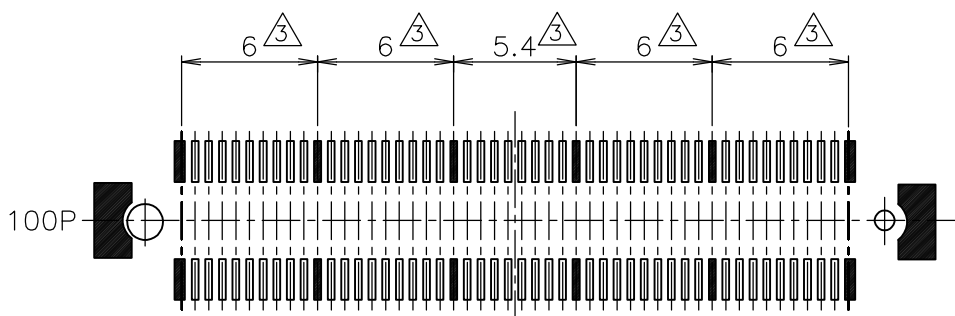
10 ≥ ±0.2
30 ≥ >10: ±0.25
100 ≥ >30: ±0.3
ANGLES: ±3°

THIS DRAWING IS A CONTROLLED DOCUMENT.

DIMENSIONS: 単位: 耗 mm	TOLERANCES UNLESS OTHERWISE SPECIFIED: 一般公差	DWN	Tyco Electronics Tyco Electronics Corporation Kawasaki, Japan	
	0 PLC ± - 1 PLC ± - 2 PLC ± - 3 PLC ± - 4 PLC ± - ANGLES ± - FINISH 仕上	CHK	NAME 名称	
		APVD	EMBOSS ASSY FH 0.6BTB CONNECTOR PLUG 8H WITH G-PLATE	
MATERIAL 材料 		PRODUCT SPEC 製品規格	SIZE	CAGE CODE
		APPLICATION SPEC 取付適用規格	A3	00779
CUSTOMER DRAWING		WEIGHT	DRAWING NO 番号	RESTRICTED TO
			G-353188	
		SCALE 尺度	SHEET	REV
		4:1	2 OF 3	C

THIS DRAWING IS UNPUBLISHED. RELEASED FOR PUBLICATION JUN , 1996.
 © COPYRIGHT 1996 BY TYCO ELECTRONICS CORPORATION. ALL RIGHTS RESERVED.

LOC	DIST	REVISIONS 変更		
J		P	LTR	DESCRIPTION
			-	SEE SHEET 1
		DATE	DWN	APVD
		-	-	-



- △1 MATERIAL ; HOUSING : HIGH TEMP THERMO PLASTIC UL94V-0
- △2 FINISH ; UNDER PL Ni 0.0013mm MIN ALL OVER. CONTACT : COPPER ALLOY
- △3 ■ THIS POSITION IS GROUND CIRCUIT.

GENERAL TOLERANCE
一般公差

10 ≥ : ±0.2
 30 ≥ : >10: ±0.25
 100 ≥ : >30: ±0.3
 ANGLES: ±3°

THIS DRAWING IS A CONTROLLED DOCUMENT.		DWN	Tyco Electronics Corporation Kawasaki, Japan		
DIMENSIONS: 単位: 耗 mm		CHK	NAME 名称		
TOLERANCES UNLESS OTHERWISE SPECIFIED: 一般公差		APVD	EMBOSS ASSY FH 0.6BTB CONNECTOR PLUG 8H WITH G-PLATE		
0 PLC ± - 1 PLC ± - 2 PLC ± - 3 PLC ± - 4 PLC ± - ANGLES ± -		PRODUCT SPEC 製品規格	SIZE	CAGE CODE	DRAWING NO 番号
MATERIAL 材料		APPLICATION SPEC 取付適用規格	A3	00779	G-353188
FINISH 仕上		WEIGHT	RESTRICTED TO		
△1		CUSTOMER DRAWING		SCALE 尺度 3:1	SHEET 3 OF 3
△2		REV C			