

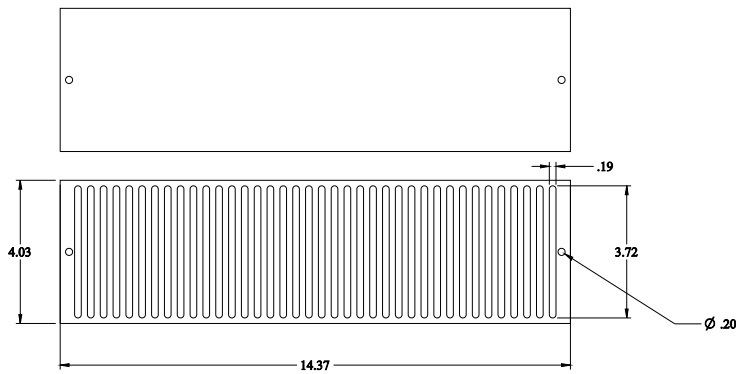
# PART No. RHA60000G

for more information visit

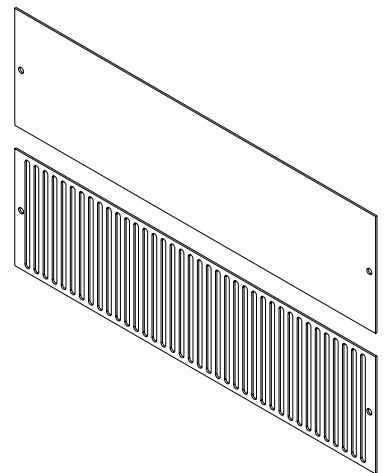
[www.hammfg.com](http://www.hammfg.com)

Data subject to change without notice

Isometric drawing Not to Scale



TOP VIEW



ISOMETRIC VIEW