



PART NAME

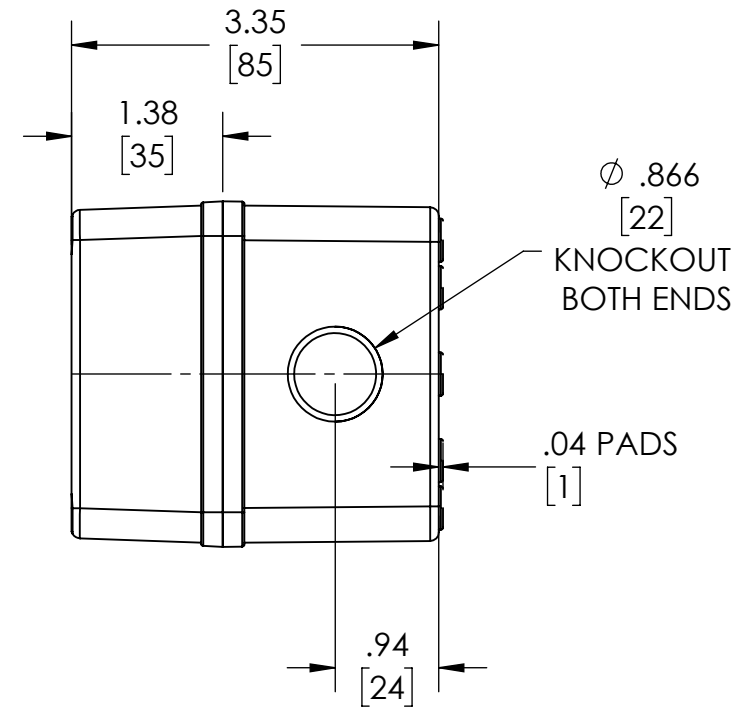
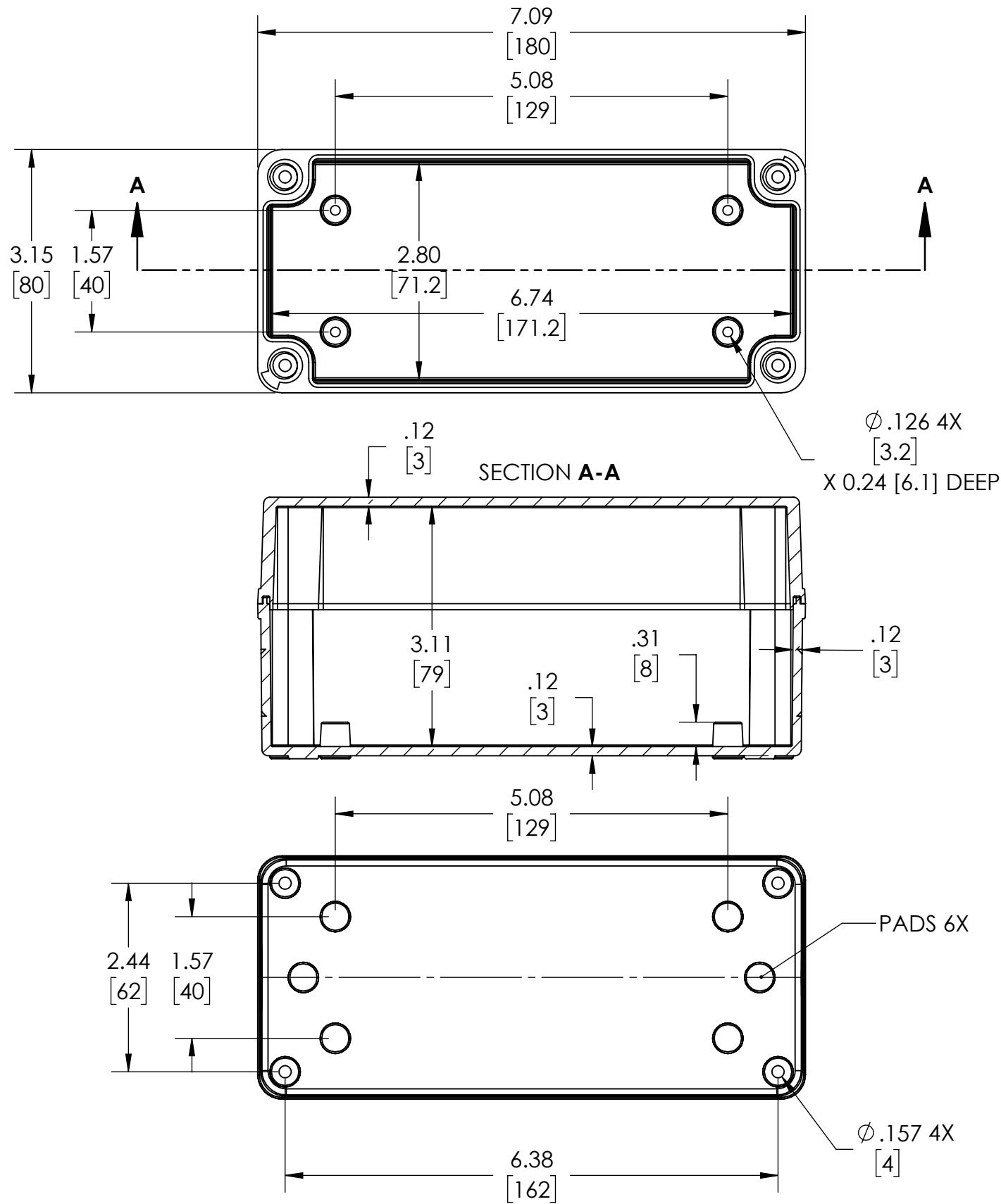
NEM 4X PLASTIC BOX (PTK SERIES)

PART No.

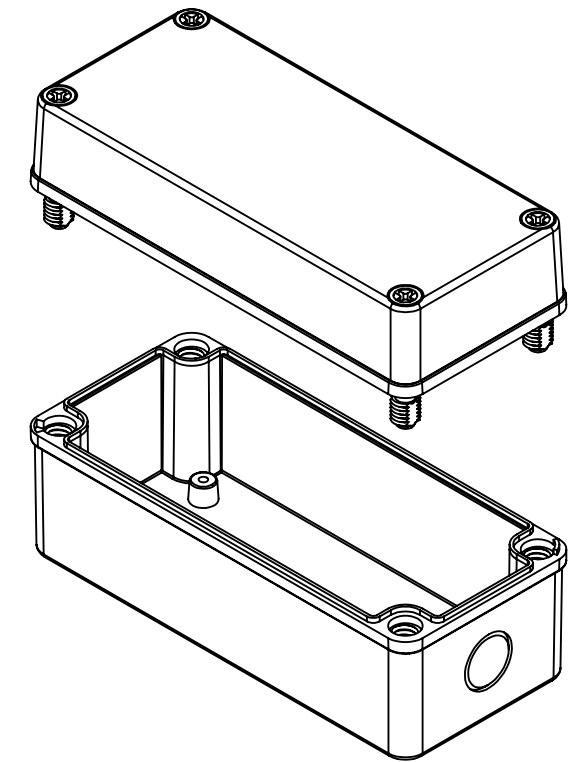
PTK-18425 & PTK-18425-C

REVISION DATE

10-19-17



**DRAWING FOR REFERENCE**  
 WE RESERVE THE RIGHT TO MAKE CHANGES TO OUR STANDARD PRODUCTS. PLEASE CONSULT WITH BUD INDUSTRIES PRIOR TO USING THIS DRAWING FOR DESIGN PURPOSE.



- NOTES:
- 1- MATERIAL: BODY - GRAY POLYCARBONATE RESIN 10% GLASS FIBER FILLED  
COVER - GRAY OR CLEAR (-C SUFFIX) POLYCARBONATE
  - 2- UL508 / NEMA TYPE 4X & TYPE 6 WITH IP-67 TUV RATING & UL-94 5VA
  - 3- CONTINUOUS Poured FOAM GASKET IN COVER
  - 4- COVER ATTACHES WITH NON-METALLIC CAPTIVE SCREWS
  - 5- INTERNAL BOSSES WILL ACCEPT M4x0.7 x 6mm LG. THREAD FORMING SCREWS FOR ATTACHING AN INTERNAL PANEL OR PCB (NOT SUPPLIED)
  - 6 - DIMENSIONS ARE INCH [MM]

OPTIONAL ACCESSORIES:  
 INTERNAL STEEL PANEL #  
 MOUNTING BRACKET KIT (STAINLESS STEEL) - #NBX-10922  
 MOUNTING BRACKET KIT (PLASTIC) #PIX-4117