

Contact insert set - VC-AR2/3M-S666-SET - 1607359

Please be informed that the data shown in this PDF Document is generated from our Online Catalog. Please find the complete data in the user's documentation. Our General Terms of Use for Downloads are valid (<http://phoenixcontact.com/download>)



Contact insert set for mounting side, sleeve frame with PE, 4 fixing screws, 6-pos. contact inserts preassembled, 6 coding profiles, 2 mounting flanges

The illustration shows the 18-pos. version

Product Features

- Compact design
- Universal connection
- Proven COMBICON technology
- Can be keyed to prevent incorrect connection



Key Commercial Data

Packing unit	1 pc
Minimum order quantity	5 pc
Weight per Piece (excluding packing)	48.86 g
Custom tariff number	85366990
Country of origin	Poland

Technical data

General

Note	Connectors may only be connected/disconnected when under no load.
Connection method	Screw connection
	Screw connection
Tightening torque	0.22 Nm ... 0.25 Nm
Pollution degree	3
Overvoltage category	III
Number of positions	17+PE
Insertion/withdrawal cycles	≥ 100

Contact insert set - VC-AR2/3M-S666-SET - 1607359

Technical data

General

Type	VC2
Conductor cross section solid min.	0.14 mm ²
Conductor cross section solid max.	1.5 mm ²
Conductor cross section flexible min.	0.14 mm ²
Conductor cross section flexible max.	0.75 mm ²
Conductor cross section	0.14 mm ² ... 1.5 mm ²
Connection cross section AWG	30 ... 14
Stripping length of the individual wire	7 mm

Ambient conditions

Ambient temperature (operation)	-40 °C ... 100 °C
---------------------------------	-------------------

Material data

Flammability rating according to UL 94	V0
Contact material	CuZn
Contact surface material	Tin-plated
Contact carrier material	PA

Electrical characteristics

Rated voltage (III/3)	250 V
Nominal voltage U _N	250 V
Rated surge voltage	4 kV
	4 kV
Rated current	10 A
	10 A
Nominal current I _N	10 A

Standards and Regulations

Flammability rating according to UL 94	V0
--	----

Classifications

eCl@ss

eCl@ss 4.0	27140816
eCl@ss 4.1	27140816
eCl@ss 5.0	27260701
eCl@ss 5.1	27260701
eCl@ss 6.0	27260705
eCl@ss 7.0	27440309

Contact insert set - VC-AR2/3M-S666-SET - 1607359

Classifications

eCl@ss

eCl@ss 8.0	27440205
eCl@ss 9.0	27440205

ETIM

ETIM 2.0	EC001121
ETIM 3.0	EC001121
ETIM 4.0	EC001121
ETIM 5.0	EC000438

UNSPSC

UNSPSC 6.01	30211923
UNSPSC 7.0901	39121522
UNSPSC 11	39121522
UNSPSC 12.01	39121522
UNSPSC 13.2	39121522

Approvals

Approvals

Approvals

EAC

Ex Approvals

Approvals submitted

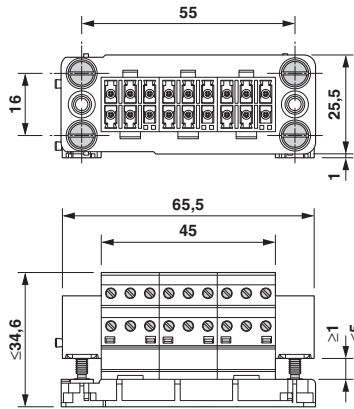
Approval details

EAC

Drawings

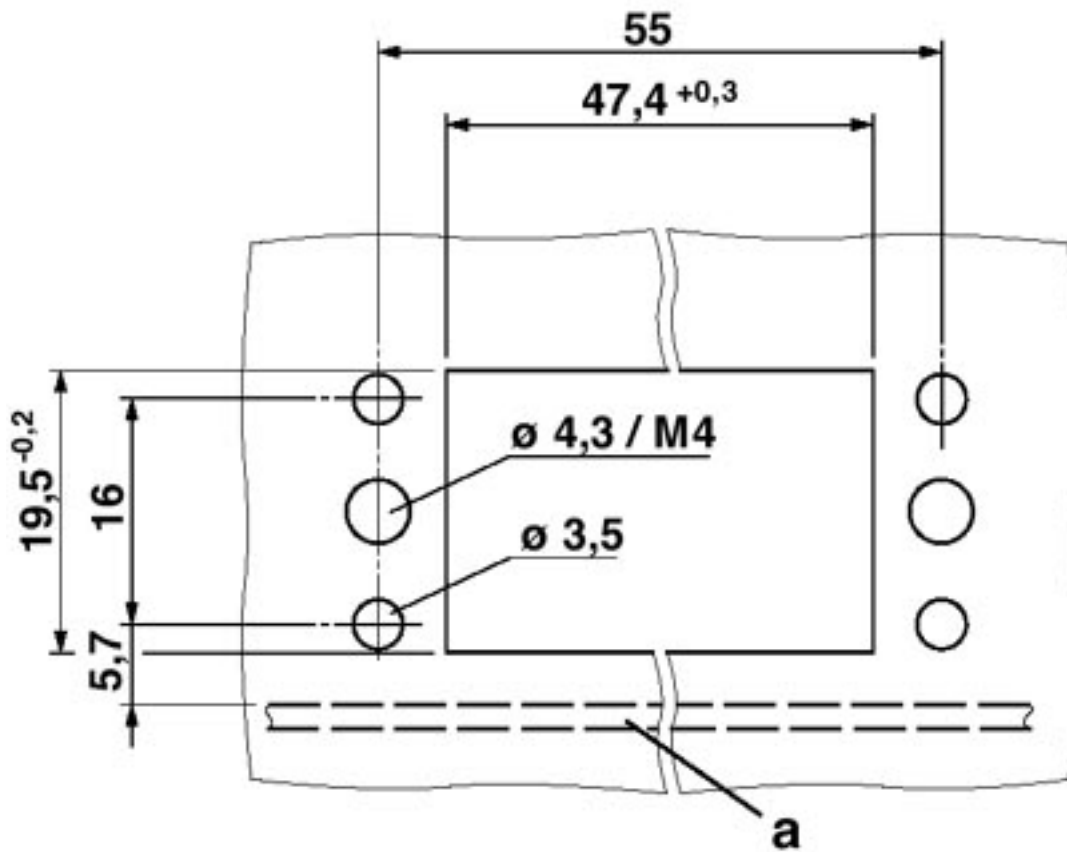
Contact insert set - VC-AR2/3M-S666-SET - 1607359

Dimensional drawing



Contact insert

Dimensional drawing



Panel cutout

