

4

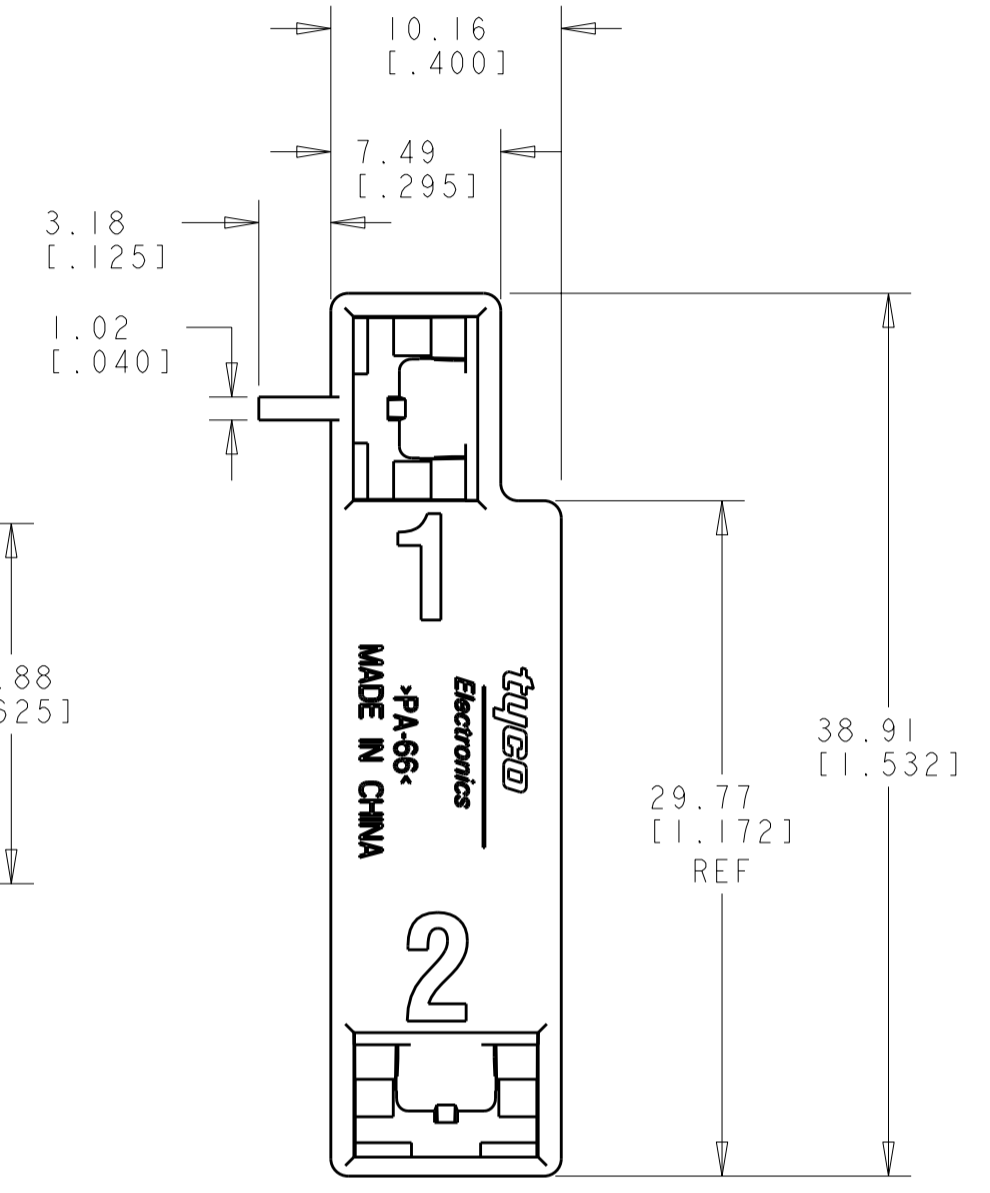
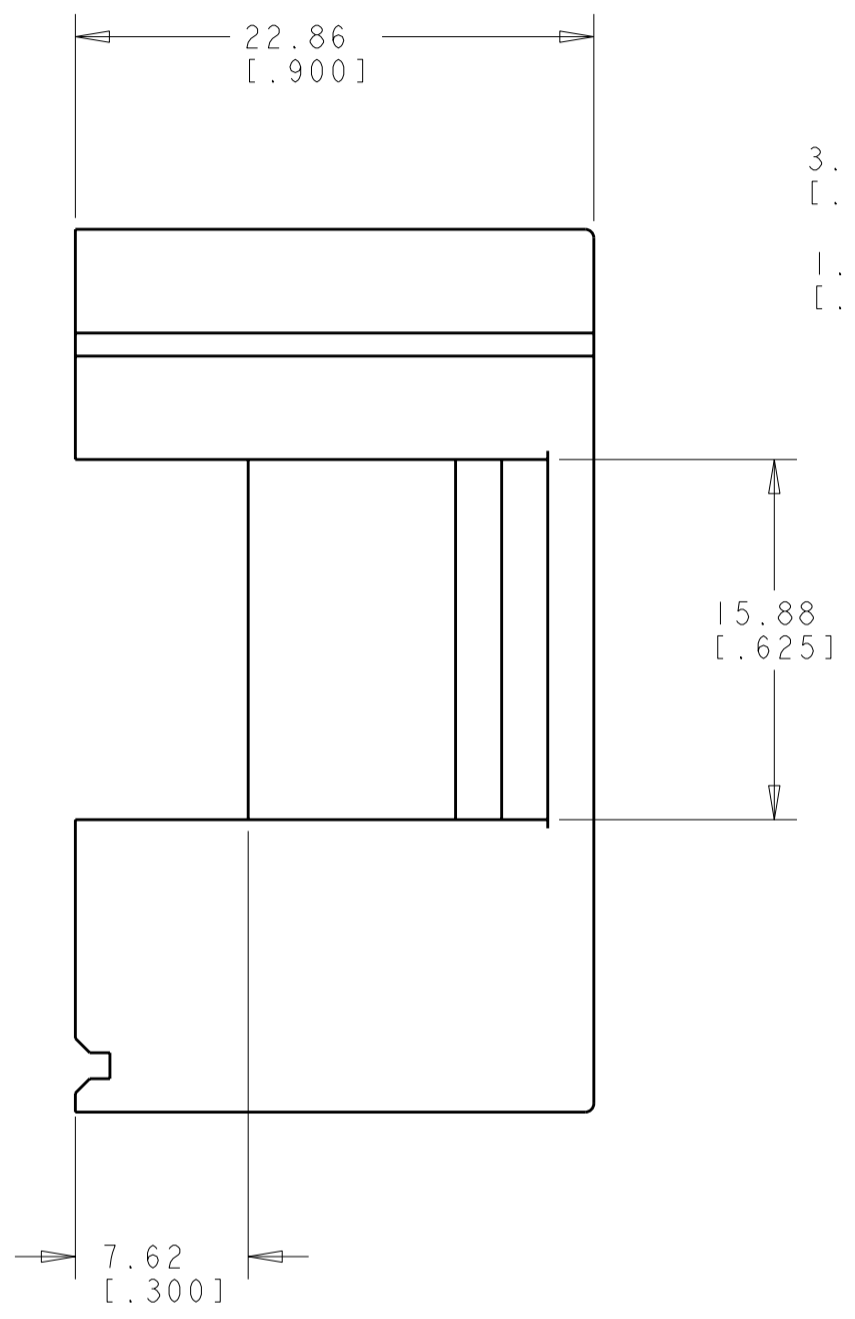
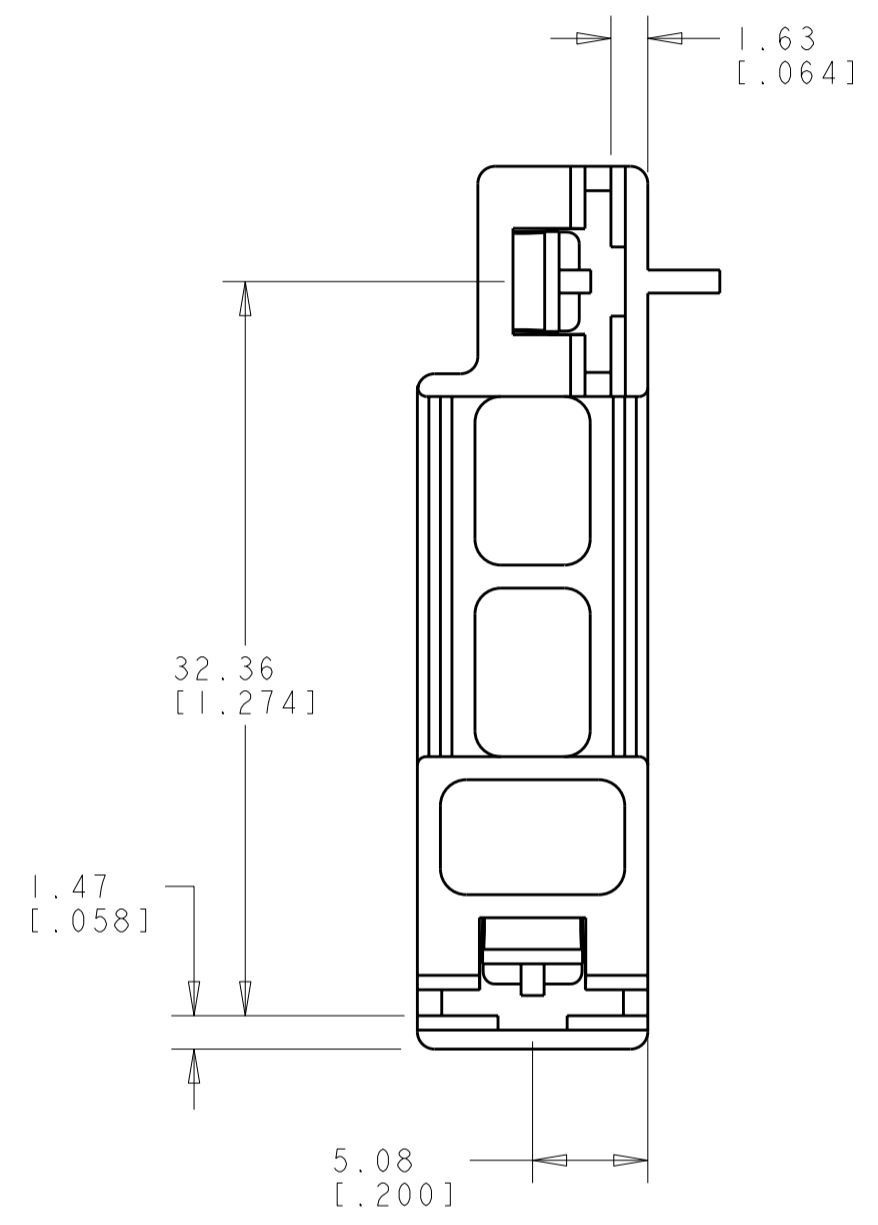
3

2

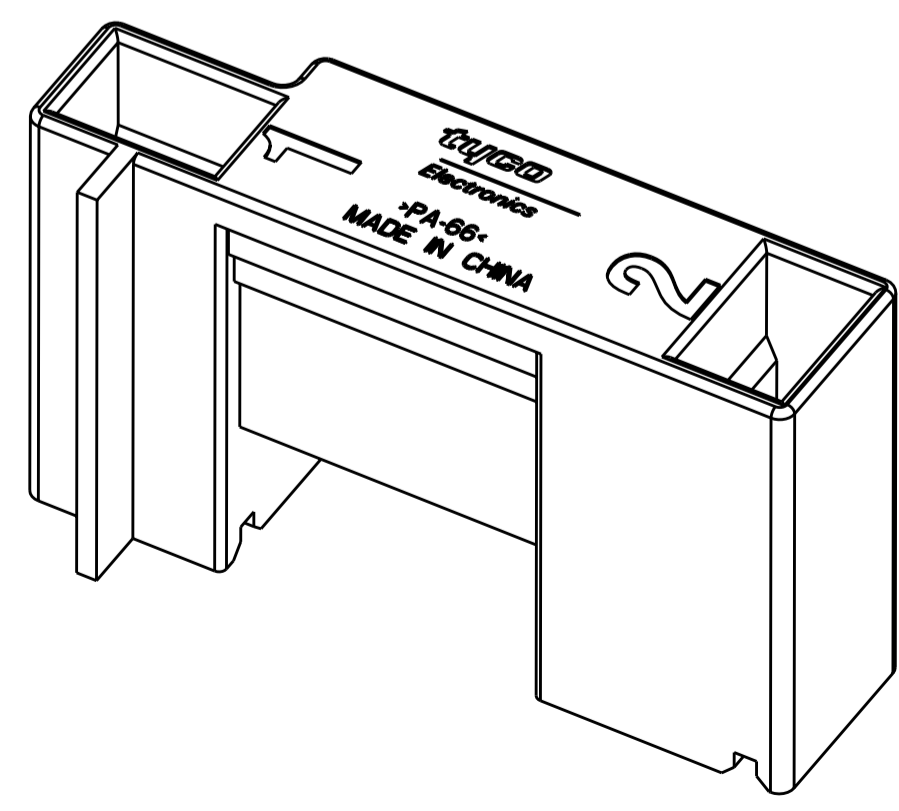
1

THIS DRAWING IS UNPUBLISHED. RELEASED FOR PUBLICATION 20
 © COPYRIGHT 20 BY TYCO ELECTRONICS CORPORATION. ALL RIGHTS RESERVED.

LOC	DIST	REVISIONS			
P	LTR	DESCRIPTION	DATE	DWN	APVD
AF	50	B	REVISED PER ECR-06-011135	10MAY2006	MF PD



1. RECOMMENDED MATING TAB LENGTH IS 9.78 [.385] MIN.
 2. RECOMMENDED CENTERLINE SPACING OF TABS TO BE ±0.127 [.005].
- 3 MATERIAL: NYLON 6/6, UL94 V-2, ELECTRICAL RTI 125 °C MIN.



NATURAL	1738496-1
COLOR	PART NUMBER

THIS DRAWING IS A CONTROLLED DOCUMENT FOR TYCO ELECTRONICS CORPORATION. IT IS SUBJECT TO CHANGE AND THE CONTROLLING ENGINEERING ORGANIZATION SHOULD BE CONTACTED FOR THE LATEST REVISION.		DWN MOHAN 06FEB06	Tyco Electronics Harrisburg, PA 17105-3608	
DIMENSIONS: mm [INCHES]		CHK M.S. FEHER 10FEB2006	NAME HOUSING, RECEPTACLE FASTON 6.35 [.250] SERIES INFINITE SWITCH F	
TOLERANCES UNLESS OTHERWISE SPECIFIED: 0 PLC ± 1 PLC ± 2 PLC ±.38 [.015] 3 PLC ± 4 PLC ± ANGLES ±2° FINISH		APVD P. DESANTIS 10FEB2006	SIZE A2 CAGE CODE 00779 DRAWING NO. 1738496 RESTRICTED TO	
MATERIAL 3		PRODUCT SPEC -	SCALE SHEET OF REV B	
		APPLICATION SPEC -	CUSTOMER DRAWING	
		WEIGHT -		