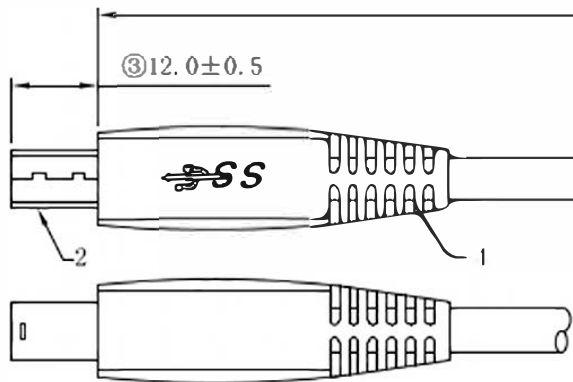
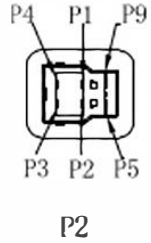
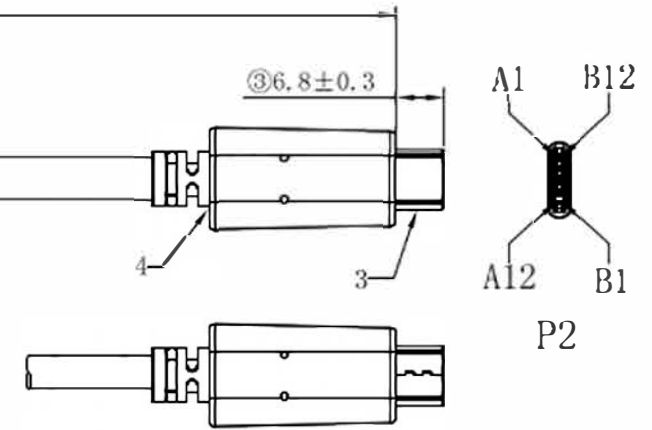


REV.	Change NO.	Change Description	Date	Approved
A0		NEW	2015.08.12	



USB3.0 B/M MOLDING TYPE  
OUTER MOLD NO. :HJ-CT-180

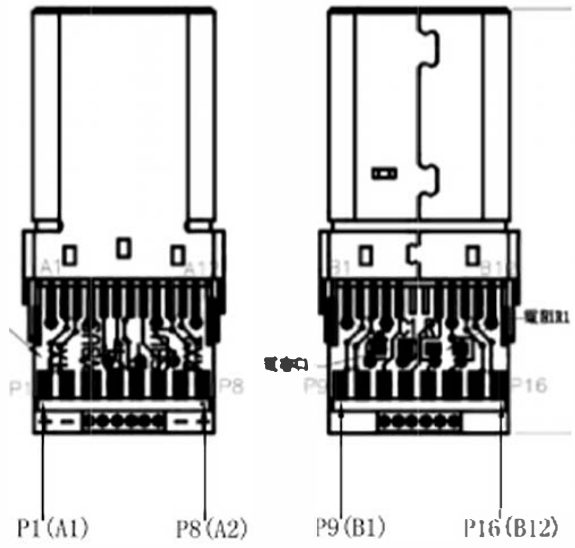


USB TYPE C/M MOLDING TYPE  
OUTER MOLD NO. :HJ-CT-422

PIN OUT

P1		P2
1	RED	3
2	GREEN	5
3	WHITE	4
4	BLACK	GND
5	BLUE	15
6	WHITE	16
7	DRAIN	GND
8	BLUE	2
9	WHITE	1
SHELL	D+B	SHELL

15 } Brown Foil  
16 }  
2 } Purple Foil  
1 }



- ① LENGTH
- 500±20mm
- 1000±30mm
- 2000±50mm
- 3000±50mm
- 5000±50mm

CnC Tech PART NUMBER:  
105-1030-BL-00100  
105-1030-BL-00200  
105-1030-BL-00300  
105-1030-BL-00500

5	TIE	L=60mm	1	PC	ITEM NO.	105-1030-BL-00XXX	Customer	/
4	MOLDING	45P PVC BK-01	10	G	DESCRIPTION	TYPE-C MALE to USB 3.0 B/MALE	REV.	A0
3	USB3.0 B/M	USB3.0 B/M 9P	1	PCS	MATERIAL NO.		PAGE	1 OF 1
2	USB Type C	USB Type C/M	1	SET	CnC Tech, LLC			
1	CABLE	(7/0.12TS+PEF1D0.90*2C+D7/0.12TS+AL+M)*2P+(7/0.12TS+HDPE1D0.7*1P)+(7/0.20TS+PVC1D1.05*2C)+(PP 3800DX2)+AL+D7/0.12BS+96#/0.12ALAG+PVC OD5.5mm BK	1	PCS				
NO.	Name	Specifications	QTY	UNIT				