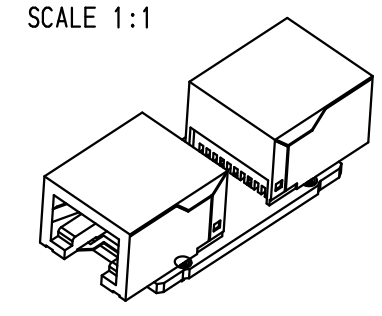
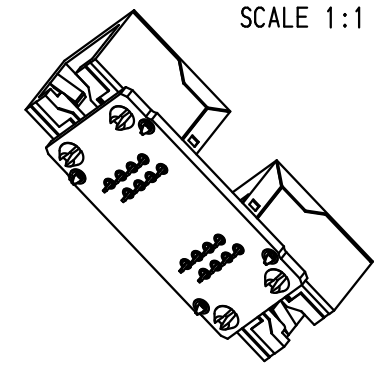
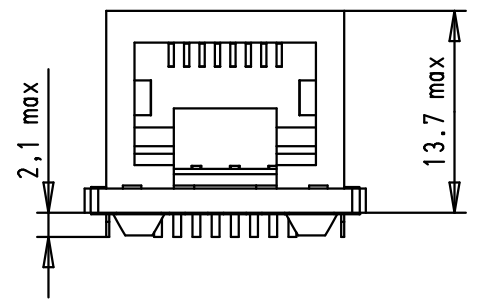
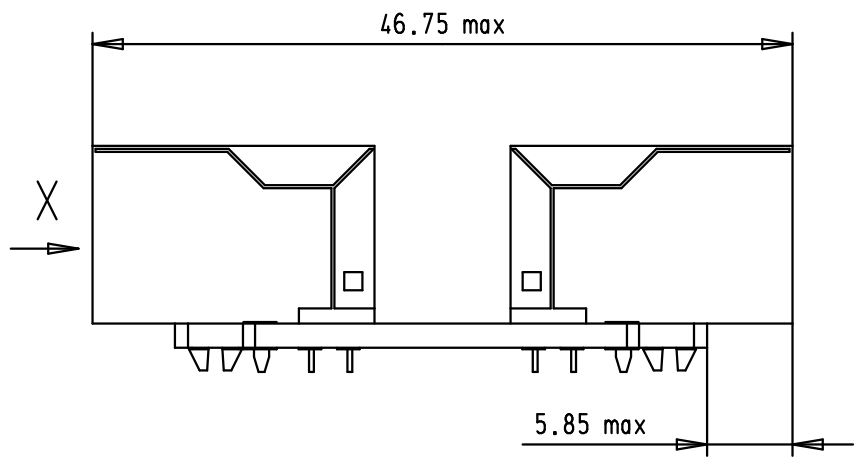
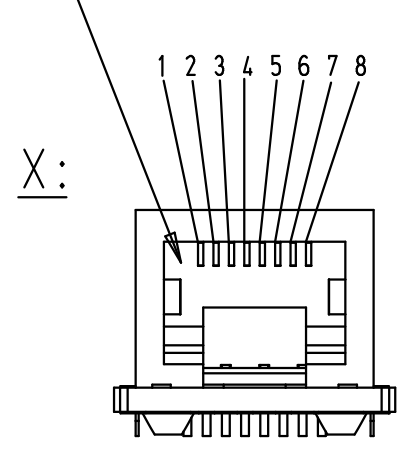


Alle Rechte vorbehalten/ All rights reserved

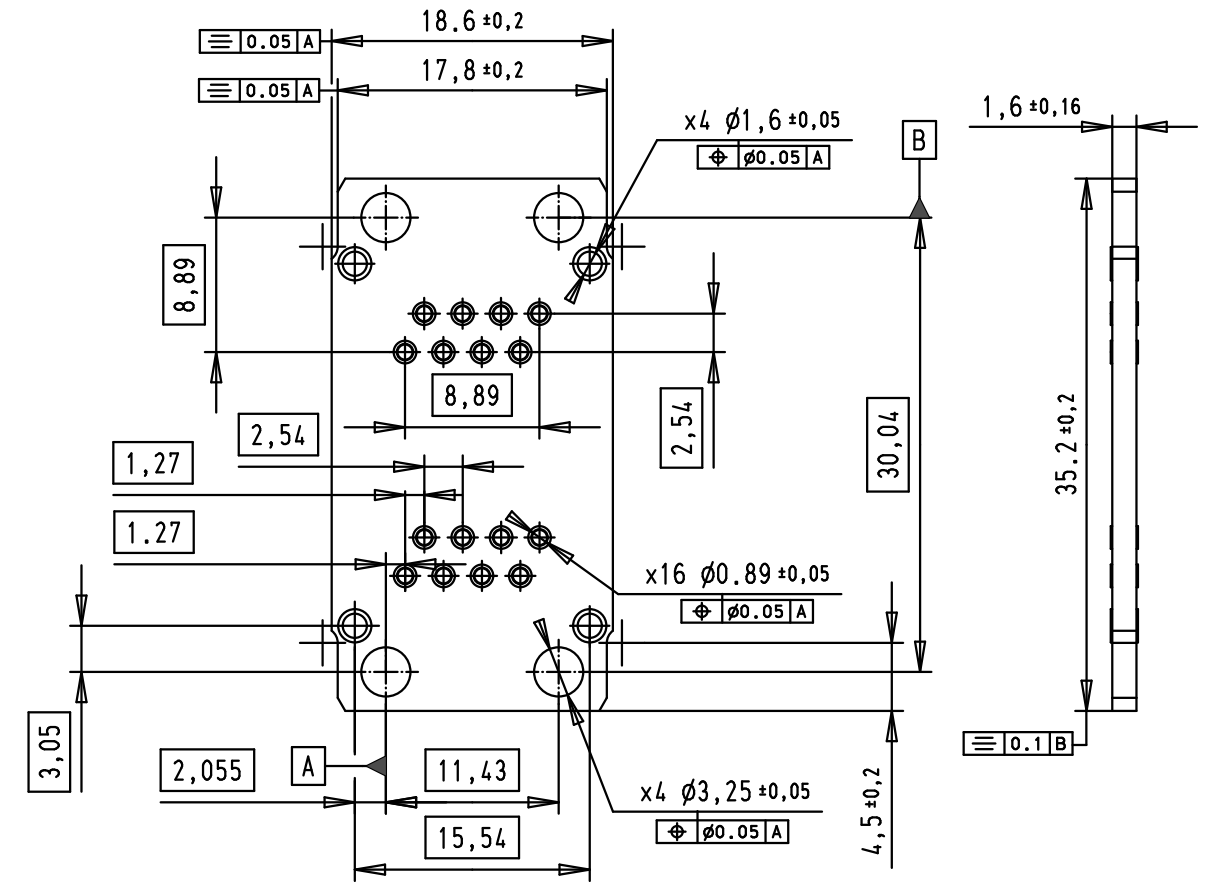


Mating face RJ45 according to IEC 60603-07



Loading Plan

- 1 _____ 1
- 2 _____ 2
- 3 _____ 3
- 4 _____ 4
- 5 _____ 5
- 6 _____ 6
- 7 _____ 7
- 8 _____ 8



ALL SOLDERED HOLES ARE RoHS COMPLIANT

			Det.	Name	 RJ Industrial RJ1 PCB + RJ 45 jacks for push pull & Han 3A	Maßstab/ Scale	
			Detail.	10/06/08		AB	2:1
			Insp.				
			Stand.				
35056	10/06/08	AB	HARTING EURL F-95972 Paris			TB 09 45 545 1130	Blatt/ Page 1 / 1
Mod.	Det.	Name					