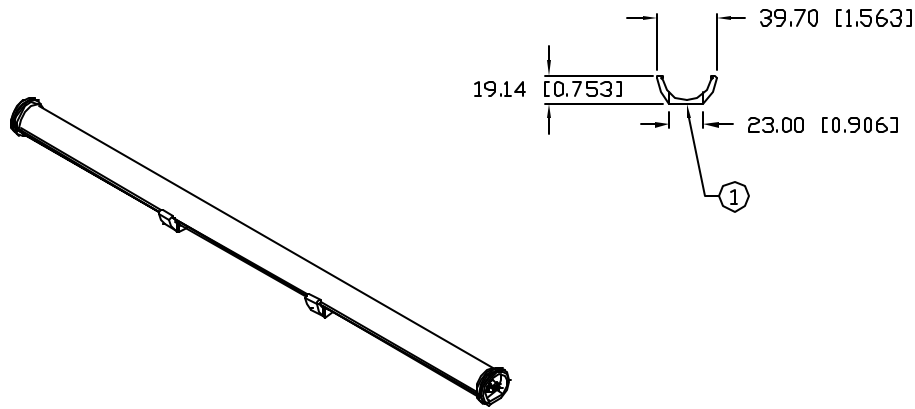


UNCONTROLLED DOCUMENT

PART NUMBER  
SSP-LT6006U24

REV.



ELECTRO-OPTICAL CHARACTERISTICS  $T_A=25^{\circ}\text{C}$   $V_f=24\text{V}$

| PARAMETER         | MIN | TYP | MAX | UNITS    | TEST COND            |
|-------------------|-----|-----|-----|----------|----------------------|
| PEAK WAVELENGTH   |     | 626 |     | nm       |                      |
| FORWARD VOLTAGE   |     | 24  |     | $V_f$    |                      |
| REVERSE VOLTAGE   | 5.0 |     |     | $V_r$    | $I_f=100\mu\text{A}$ |
| AXIAL INTENSITY * |     | 100 |     | mcd      | $V_f=24\text{V}$     |
| VIEWING ANGLE     |     | 180 |     | 2x theta |                      |

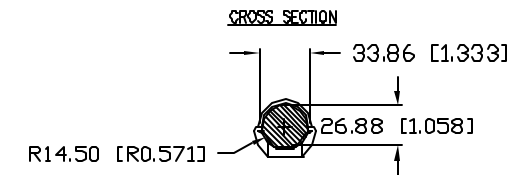
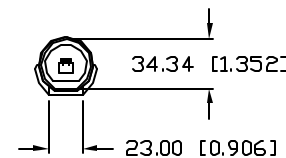
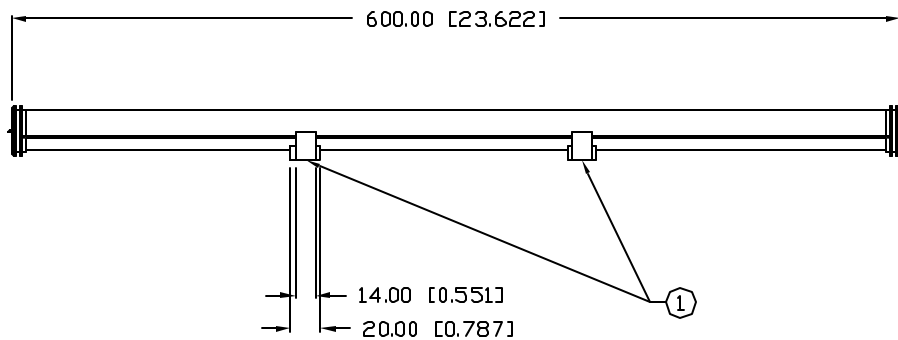
EMITTED COLOR: RED  
EPOXY LENS FINISH: RED DIFFUSED

\* INTENSITY PER LED

LIMITS OF SAFE OPERATION AT  $25^{\circ}\text{C}$  PER DIE

| PARAMETER                        | MAX        | UNITS                  |
|----------------------------------|------------|------------------------|
| PEAK FORWARD CURRENT*            | 150        | mA                     |
| STEADY CURRENT                   | 25         | mA                     |
| POWER DISSIPATION                | 105        | mW                     |
| DERATE FROM $25^{\circ}\text{C}$ | -1.2       | mW/ $^{\circ}\text{C}$ |
| OPERATING, STORAGE TEMP.         | -40 TO +85 | $^{\circ}\text{C}$     |
| SOLDERING TEMP.                  | +260       | $^{\circ}\text{C}$     |
| 2.0mm FROM BODY                  |            | 3 SEC. MAX             |

\*  $t < 10\mu\text{s}$



NOTES:

1. MOUNTING BRACKETS (2 PCS.)

UNCONTROLLED DOCUMENT

\*UNLESS OTHERWISE SPECIFIED TOLERANCES PER DECIMAL PRECISION ARE: X=±1 (±0.039), XX=±0.5 (±0.020), XXX=±0.25 (±0.010), XXXX=±0.127 (±0.005). LEAD SIZE=±0.05 (±0.002), LEAD LENGTH=±0.75 (±0.030). MIN. +DECIMAL PRECISION MAX. -DECIMAL PRECISION

|      |                              |
|------|------------------------------|
| REV. | PART NUMBER<br>SSP-LT6006U24 |
|------|------------------------------|

2' GREEN LED TUBE, 626nm AlInGaP RED LEDS,  
38 LEDS PER TUBE, RED DIFFUSED PLASTIC,  
WITH 2 MOUNTING BRACKETS.

**CONFIDENTIAL INFORMATION**  
THE INFORMATION CONTAINED IN THIS DOCUMENT IS THE PROPERTY OF SUNBRITE LEDS. EXCEPT AS SPECIFICALLY AUTHORIZED IN WRITING BY SUNBRITE LEDS, THE HOLDER OF THIS DOCUMENT SHALL KEEP ALL INFORMATION CONTAINED HEREIN CONFIDENTIAL AND SHALL PROTECT SAME IN WHOLE OR IN PART FROM DISCLOSURE AND DISSEMINATION TO ALL THIRD PARTIES.

**RELIABILITY NOTE**  
OUR MANY YEARS OF EXPERIENCE DATA ACCUMULATION INDICATE THAT SOLDER HEAT IS A MAJOR CAUSE OF EARLY AND FUTURE FAILURE. PLEASE PAY ATTENTION TO YOUR SOLDERING PROCESS.



286 E. HELEN ROAD  
PALATINE, IL 60067-6976  
PHONE: +1.847.359.2790  
FAX: +1.847.359.2867  
WEB: www.sunbriteleds.com

|              |          |           |                              |
|--------------|----------|-----------|------------------------------|
| DRAWN:<br>BC | CHECKED: | APPROVED: | DATE: 7.2.02<br>PAGE: 1 OF 1 |
|--------------|----------|-----------|------------------------------|