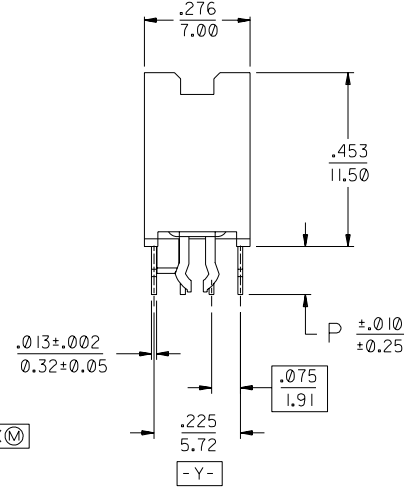
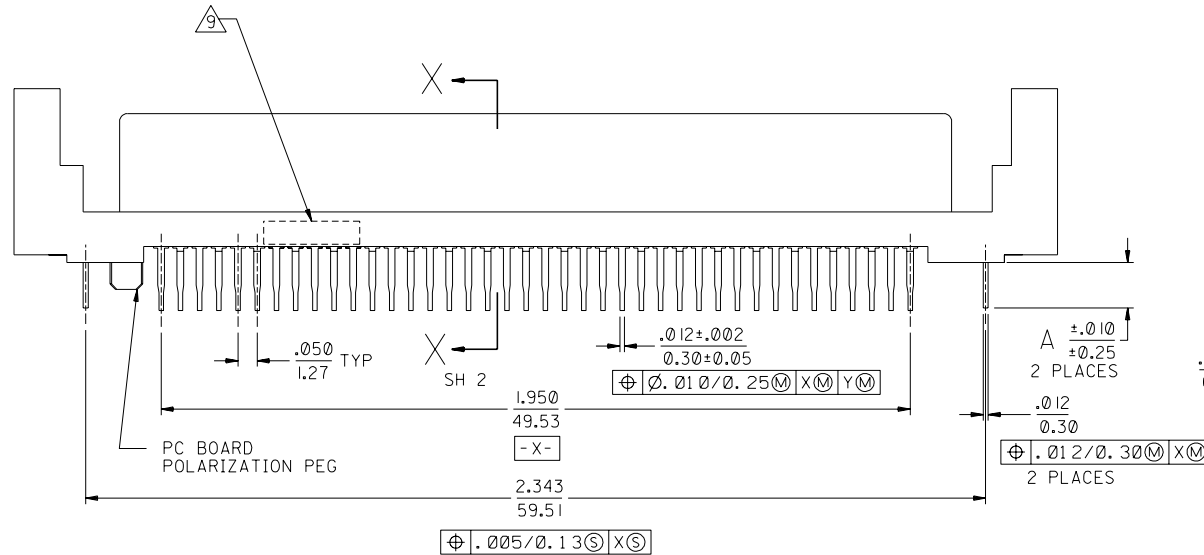
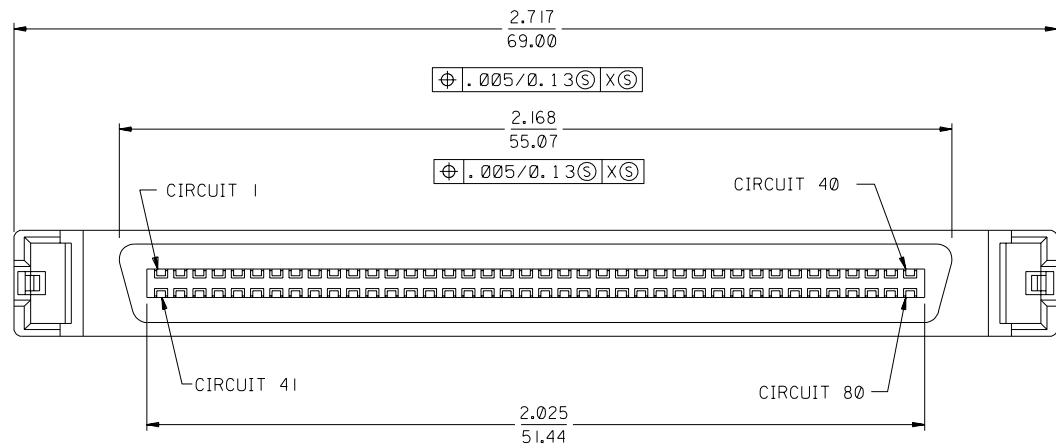


NOTES:

- 1) MATERIALS:
HOUSING- LIQUID CRYSTAL POLYMER (LCP), GLASS FILLED,
UL 94V-0, BLACK.
TERMINALS- COPPER ALLOY
ESD METAL PEGS- COPPER ALLOY.
- 2) FINISH OPTION 1:
TERMINALS:
.000030/(0.00076) MINIMUM GOLD IN CONTACT AREA AND
.000100/(0.00254) MINIMUM TIN IN TAIL AREA OVER
NICKEL UNDERPLATE OVERALL.
ESD METAL PEGS:
.000150/(0.00381) MINIMUM TIN OVER
NICKEL UNDERPLATE OVERALL.
- 3) FINISH OPTION 2:
TERMINALS:
GOLD FLASH IN SELECT CONTACT AREA OVER
.000030/(0.00076) MINIMUM PALLADIUM NICKEL
IN CONTACT AREA AND
.000075/(0.00191) MINIMUM TIN IN TAIL AREA OVER
NICKEL UNDERPLATE OVERALL.
ESD METAL PEGS:
.000150/(0.00381) MINIMUM TIN OVER
NICKEL UNDERPLATE OVERALL.
- 4) CONFORMS TO PRODUCT SPECIFICATION PS-73826-0000.
- 5) CIRCUIT NUMBERS 1, 36 THRU 43, 45, 46, AND 75 THRU 80,
ARE ADVANCED (LONG) TERMINALS FOR SEQUENTIAL MATING.
- 6) CONNECTOR WILL ACCEPT MATING TO A P.C. BOARD WITH
A THICKNESS OF .062±.003 (1.60±0.08).
- 7) SEE TABLE FOR RECOMMENDED P.C. BOARD THICKNESS.
- 8) PRODUCT PACKAGED PER PK-70873-083*
- 9) FOUR DIGIT DATE CODE (WK, YR), EXAMPLE => 26 96
LOCATED IN AREA INDICATED.



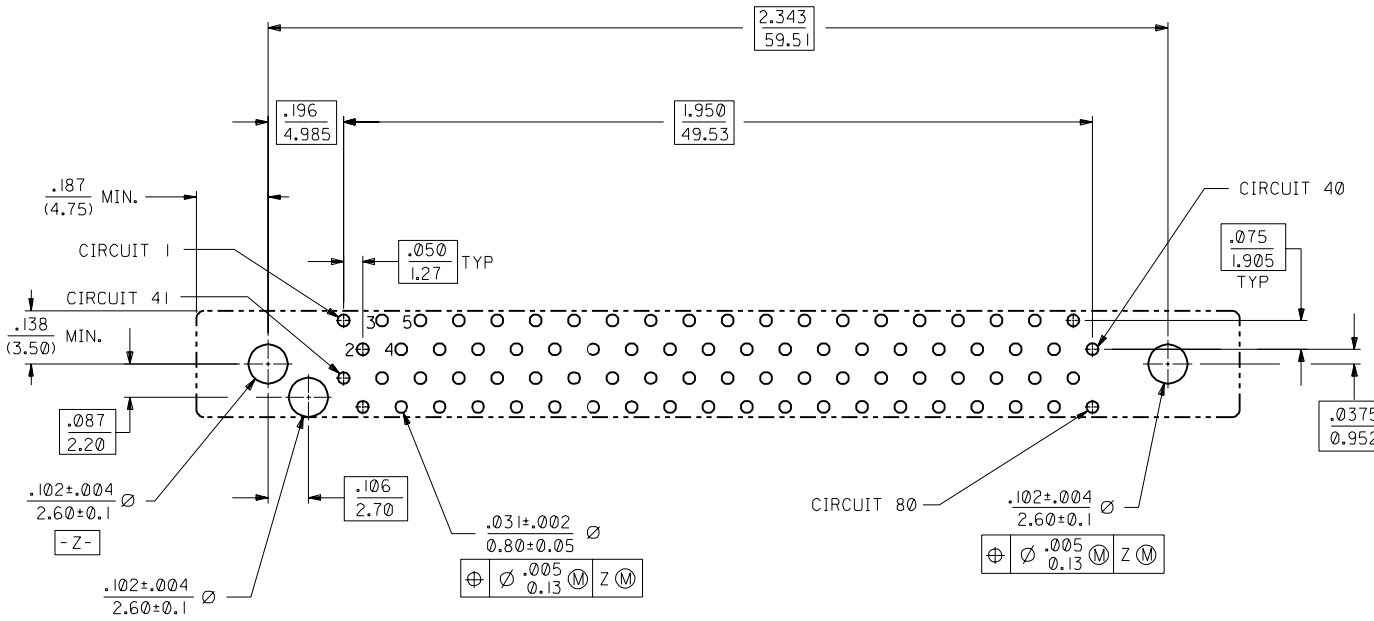
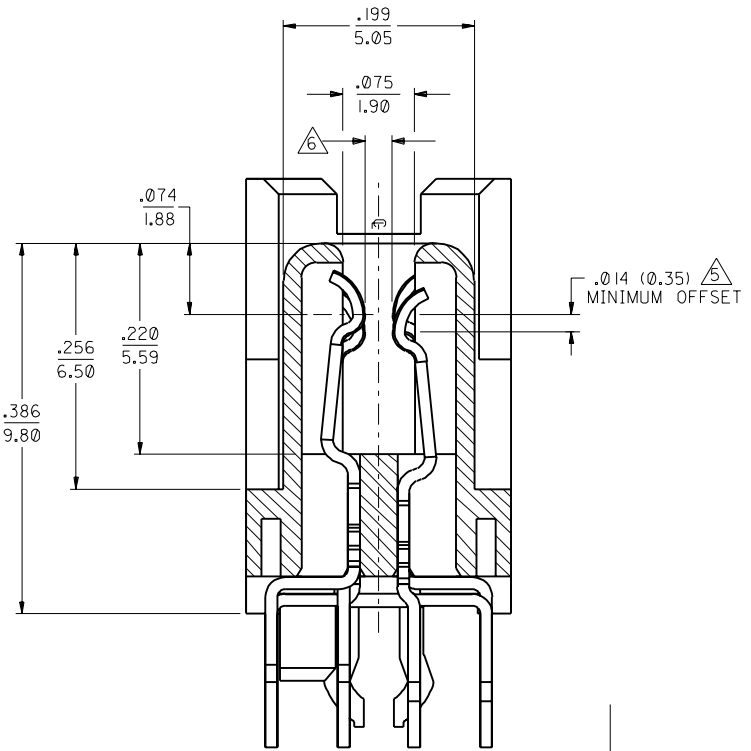
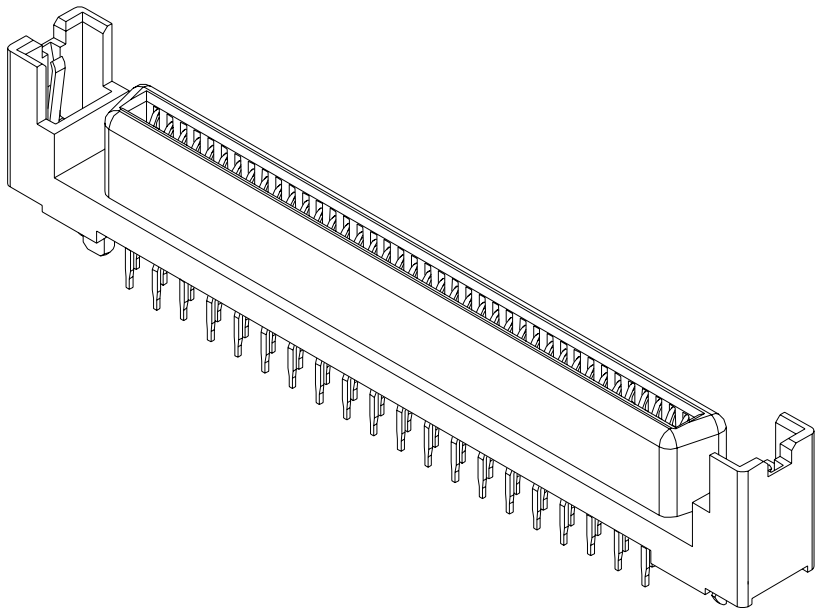
NOTE FOR LEAD FREE CONVERSION:
THE PRIMARY SHIPPING CARTON WILL BE
LABELED "COMPLIANT TO ROHS DIRECTIVE
2002/95/EC AND ELV ANNEX II OF
DIRECTIVE 2000/53/EC". CARTONS WITHOUT
THIS LABEL MAY CONTAIN PRODUCT WITH
LEAD.

71743-1086	OBSOLETE				
71743-1085	SEE NOTE 2	.130±.006 (3.30±0.15)	.118 (3.00)	.148 (3.75)	
71743-1084	SEE NOTE 2	.125±.006 (3.18±0.15)	.118 (3.00)	.134 (3.40)	
71743-1083	SEE NOTE 2	.093±.006 (2.36±0.15)	.118 (3.00)	.125 (3.18)	
71743-1082	OBSOLETE				
71743-1081	SEE NOTE 2	.062±.006 (1.60±0.15)	.118 (3.00)	.110 (2.79)	
71743-1080	SEE NOTE 2	.093±.006 (2.36±0.15)	.118 (3.00)	.125 (3.18)	
PART NUMBER	PLATING	PCB THICKNESS	DIM. A	DIM. P	

I	REVISOR	ECN UCP2004-2082	REVISION	71743
H	REVISOR	ECN UCP2003-0093	REVISION	
G	REVISOR	ECN UDT 2000-1231	REVISION	
F3	REVISOR	ECN UDT 1999-0975	REVISION	
F2	REVISOR	ECN UDT 1999-0865	REVISION	
F1	REVISOR	ECN UDT 1998-0294	REVISION	
F	REVISOR	PER ECN U80654	REVISION	
E	REVISOR	PER ECN U71495	REVISION	
DI	REVISOR	PER ECN U70444	REVISION	
D	REVISOR	PER ECN U61278	REVISION	
C	REVISOR	PER ECN U61122	REVISION	
B	REVISOR	PER ECN U60641	REVISION	
A	INITIAL RELEASE	PER ECN U60019	REVISION	
		8-15-95 RAN		
	MFG, SH, REV.	LTR.	REVISIONS	
2	F2			
I	I			

DIMENSIONS SHOWN (METRIC) INCH UNLESS OTHERWISE SPECIFIED TOLERANCES: ANGULAR ± 1/2°		TITLE	
3 PLACE ± .005 ---		SALES ASSEMBLY	
2 PLACE ± .01 ± 0.13		EBBI VERTICAL RECEPTACLE	
1 PLACE --- ± 0.25		80 CKT SCA-2 CONNECTOR	
DRAFT WHERE APPLICABLE MUST REMAIN WITHIN DIMENSIONS		MOLEX INCORPORATED SHEET NO. DATE LITSE,ILL. 60532 U.S.A. 1 OF 2 7/21/95	
DRWG. BY RAN	CHK'D. BY RAN	PART NO.	DRWG. NO.
APP'D. BY GWF	SCALE 4: 1	SEE TABLE	SDA-71743-108*
FILE NAME S71743XB		THIS DRAWING CONTAINS INFORMATION THAT IS PROPRIETARY TO MOLEX INC. AND SHOULD NOT BE USED WITHOUT WRITTEN PERMISSION	

13 12 11 10 9 8 7 6 71743 4 3 2 1



F2	SEE SHEET 1
----	-------------

DIMENSIONS SHOWN (METRIC) INCH		=		=		MFG. SH. REV. LTR. REVISIONS	
UNLESS OTHERWISE SPECIFIED TOLERANCES ANGULAR ± 1/2°		TITLE		REVISE ONLY ON CAD SYSTEM			
3 PLACE ± .005	INCH	---	METRIC	SALES ASSEMBLY			
2 PLACE ± .01	---	± 0.13	---	EBBI VERTICAL RECEPTACLE			
1 PLACE --- ± 0.25	---	---	---	80 CKT SCA-2 CONNECTOR			
DRAFT WHERE APPLICABLE MUST REMAIN WITHIN DIMENSIONS		FROM: MOLEX INCORPORATED		SHEET NO. DATE		U.S.A.	
PART NO. DRWG. NO.		1151E.IJLL. 60532		2 7/21/95		U.S.A.	
DRWG. BY: RAN		CHK'D BY: RAN		SEE TABLE		SDA-71743-108*	
APP'D BY: GWF		SCALE: 4:1		FILE NAME: S71743X8.S02		THIS DRAWING CONTAINS INFORMATION THAT IS PROPRIETARY TO MOLEX INC. AND SHOULD NOT BE USED WITHOUT WRITTEN PERMISSION.	

13 12 11 10 9 8 7 6 5 4 3 2 1