

MODEL:

SR4POST50HD

4-Post Heavy-Duty Open Frame Rack



50 Rack Units



3000 lb.
Stationary
Load Capacity



3000 lb. Rolling
Load Capacity
(with Optional
Casters)



Standard 19-inch
Rack Width



Toolless
Mounting Slots



Integrated
Bypassing Tabs



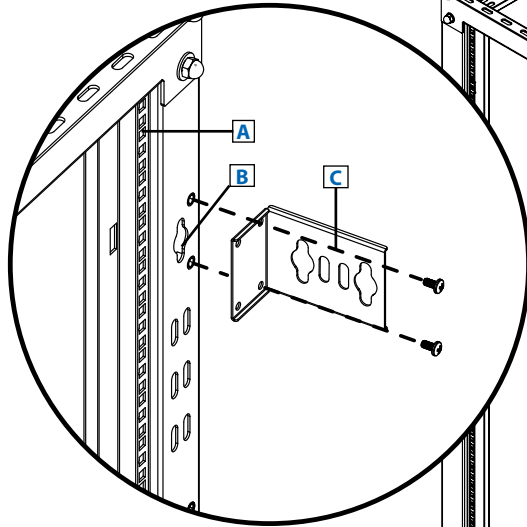
Square Hole
Mounting



Side Panel
Accessory
(Optional)

- A** Numbered Square Mounting Holes
- B** Toolless Mounting Holes
(for vertical PDUs or cable managers)
- C** PDU/Cable Management Brackets
(optional, included)

Also Includes: Owner's Manual, installation hardware and (2) PDU/cable management brackets.



A

- Ships disassembled for easy transport and assembly in tight spaces
- Modular, self-squaring design optimized for quick configuration and reconfiguration
- Multiple units can be bolted together side by side
- Compatible with optional side panel kit (SR50SIDE4PHD) for end-row units
- Optional heavy-duty caster kit (SRCASTERHDKIT) permits mobile use with loads up to 3000 lb.

SEE NEXT PAGE FOR DETAILED UNIT MEASUREMENTS

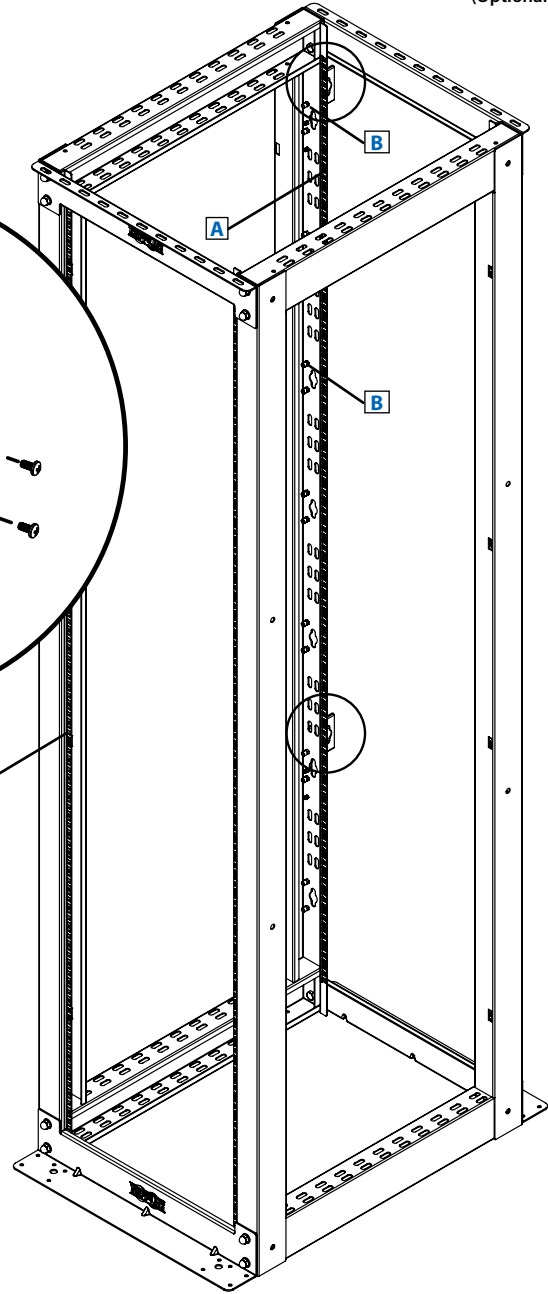


Specifications

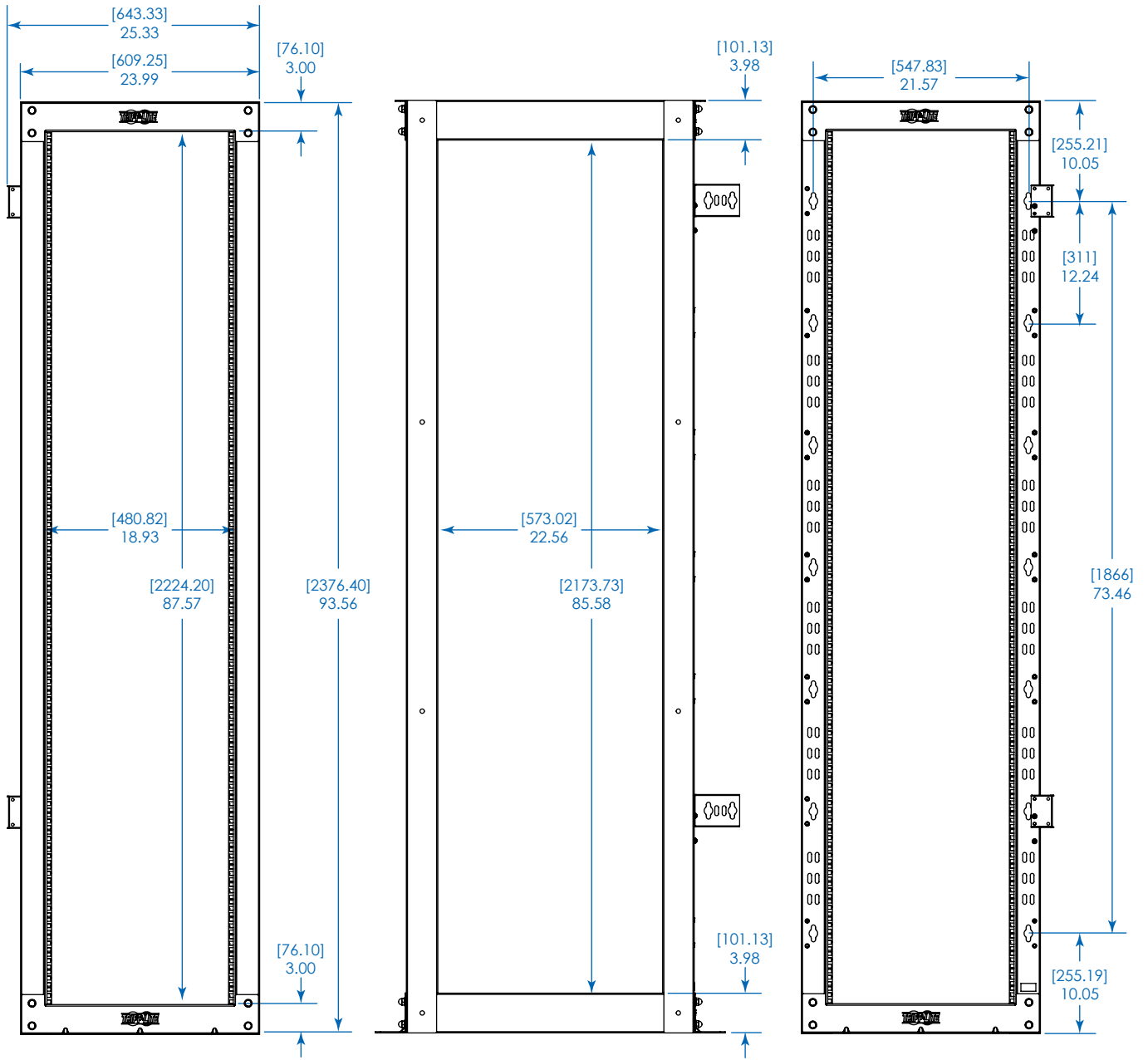
Model	SR4POST50HD
Rack Spaces	50U
Stationary Load Capacity	3000 lb. / 1361 kg
Rolling Load Capacity	3000 lb. / 1361 kg
Unit Dimensions (H x W x D)	93 x 24 x 35.25 in. / 2362 x 610 x 895 mm
Shipping Dimensions (H x W x D)	6.75 x 9.5 x 97.25 in. / 172 x 241 x 2470 mm
Unit Weight	113 lb. / 51.3 kg
Shipping Weight	120 lb. / 54.4 kg
Standards	Tested to EIA-310-D, NOM (Mexico), IEC 60297-3-100, DIN 41494, RoHS

*Maximum rolling load capacity with SRCASTERHDKIT accessory.

Tripp Lite has a policy of continuous improvement. Specifications are subject to change without notice.



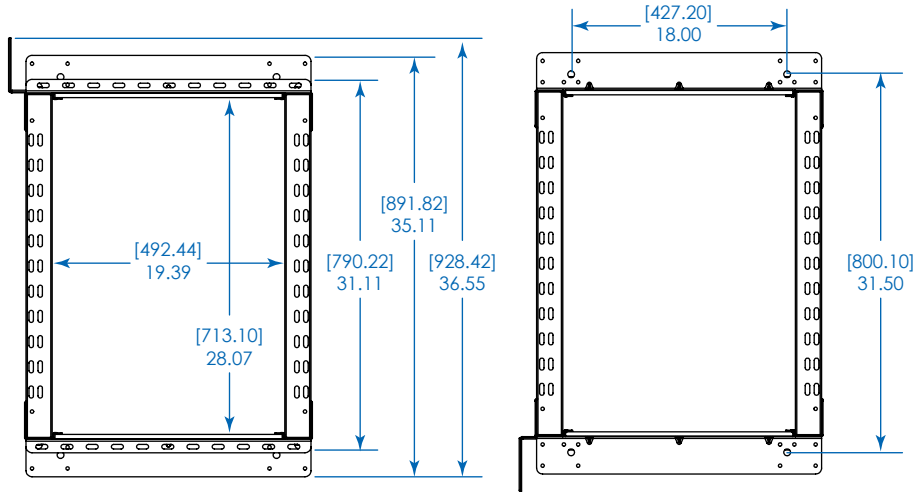
1111 W. 35th Street
Chicago, IL 60609 USA
773.869.1234
www.tripplite.com



FRONT VIEW

SIDE VIEW

BACK VIEW



TOP VIEW

BOTTOM VIEW

Dimensions: [mm] INCHES

Tripp Lite has a policy of continuous improvement. Specifications are subject to change without notice.

MODEL:
SR4POST50HD
TRIPP·LITE

1111 W. 35th Street
 Chicago, IL 60609 USA
 773.869.1234
 www.triplite.com