

24-bit, 192kHz 8-Channel CODEC with Volume Control

DESCRIPTION

The WM8770 is a high performance, multi-channel audio codec. The WM8770 is ideal for surround sound processing applications for home hi-fi, automotive and other audio visual equipment.

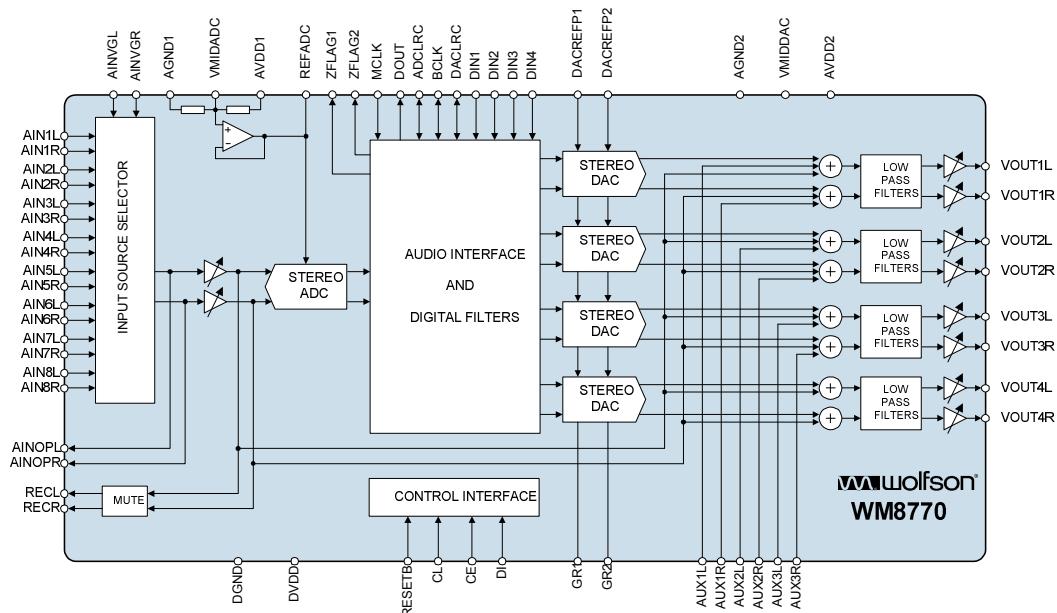
A stereo 24-bit multi-bit sigma delta ADC is used with an eight stereo channel input selector. Each channel has analogue domain mute and programmable gain control. Digital audio output word lengths from 16-32 bits and sampling rates from 8kHz to 96kHz are supported.

Four stereo 24-bit multi-bit sigma delta DACs are used with oversampling digital interpolation filters. Digital audio input word lengths from 16-32 bits and sampling rates from 8kHz to 192kHz are supported. Each DAC channel has independent analogue volume and mute control, with a set of input multiplexors allowing selection of an external 3 channel stereo analogue input into these volume controls.

The audio data interface supports I²S, left justified and right justified digital audio formats.

The device is controlled via a 3 wire serial interface. The interface provides access to all features including channel selection, volume controls, mutes, de-emphasis and power management facilities. The device is available in a 64-lead TQFP package.

BLOCK DIAGRAM



FEATURES

- Audio Performance
 - 106dB SNR ('A' weighted @ 48kHz) DAC
 - 102dB SNR ('A' weighted @ 48kHz) ADC
- DAC Sampling Frequency: 8kHz – 192kHz
- ADC Sampling Frequency: 8kHz – 96kHz
- 3-Wire SPI or CCB MPU Serial Control Interface
- Master or Slave Clocking Mode
- Programmable Audio Data Interface Modes
 - I²S, Left or Right Justified
 - 16/20/24/32 bit Word Lengths
- Four Independent stereo DAC outputs with independent analogue and digital volume controls
- Analogue Bypass Path Feature
- Six channel selectable AUX input to the volume controls
- Eight stereo ADC inputs with analogue gain adjust from +19dB to –12dB in 1dB steps
- 2.7V to 5.5V Analogue, 2.7V to 3.6V Digital supply Operation
- 5V tolerant digital inputs

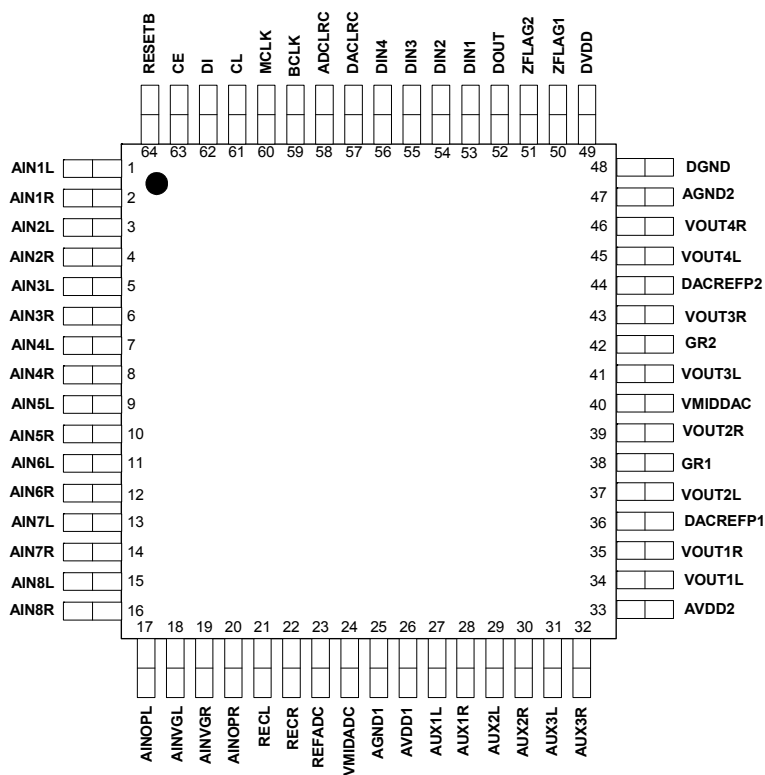
APPLICATIONS

- Surround Sound AV Processors and Hi-Fi systems
- Automotive Audio

TABLE OF CONTENTS

| | |
|--|-----------|
| DESCRIPTION | 1 |
| FEATURES | 1 |
| APPLICATIONS | 1 |
| BLOCK DIAGRAM | 1 |
| TABLE OF CONTENTS | 2 |
| PIN CONFIGURATION | 3 |
| ORDERING INFORMATION | 3 |
| PIN DESCRIPTION | 4 |
| ABSOLUTE MAXIMUM RATINGS | 6 |
| ELECTRICAL CHARACTERISTICS | 7 |
| TERMINOLOGY | 8 |
| MASTER CLOCK TIMING | 9 |
| DIGITAL AUDIO INTERFACE – MASTER MODE | 9 |
| DIGITAL AUDIO INTERFACE – SLAVE MODE | 11 |
| MPU INTERFACE TIMING | 12 |
| INTERNAL POWER ON RESET CIRCUIT | 14 |
| DEVICE DESCRIPTION | 17 |
| INTRODUCTION | 17 |
| AUDIO DATA SAMPLING RATES..... | 18 |
| ZERO DETECT | 19 |
| POWERDOWN MODES | 20 |
| DIGITAL AUDIO INTERFACE | 20 |
| CONTROL INTERFACE OPERATION | 23 |
| CONTROL INTERFACE REGISTERS | 25 |
| REGISTER MAP | 37 |
| DIGITAL FILTER CHARACTERISTICS | 44 |
| DAC FILTER RESPONSES..... | 44 |
| ADC FILTER RESPONSES..... | 45 |
| ADC HIGH PASS FILTER | 45 |
| DIGITAL DE-EMPHASIS CHARACTERISTICS..... | 46 |
| APPLICATIONS INFORMATION | 47 |
| RECOMMENDED EXTERNAL COMPONENTS | 47 |
| EXTERNAL CIRCUIT CONFIGURATION | 48 |
| PACKAGE DIMENSIONS | 50 |
| IMPORTANT NOTICE | 51 |
| ADDRESS: | 51 |
| REVISION HISTORY | 52 |

PIN CONFIGURATION



ORDERING INFORMATION

| DEVICE | TEMPERATURE RANGE | PACKAGE | MOISTURE SENSITIVITY LEVEL | PEAK SOLDERING TEMPERATURE |
|---------------|-------------------|---------------------------------------|----------------------------|----------------------------|
| WM8770SIFT/V | -40°C to +85°C | 64-lead TQFP (Pb-free) | MSL3 | 260°C |
| WM8770SIFT/RV | -40°C to +85°C | 64-lead TQFP (tape and reel, Pb-free) | MSL3 | 260°C |

Note:

Reel Quantity: 750

PIN DESCRIPTION

| PIN | NAME | TYPE | DESCRIPTION |
|-----|----------|-----------------|---|
| 1 | AIN1L | Analogue Input | Channel 1 left input multiplexor virtual ground |
| 2 | AIN1R | Analogue Input | Channel 1 right input multiplexor virtual ground |
| 3 | AIN2L | Analogue Input | Channel 2 left input multiplexor virtual ground |
| 4 | AIN2R | Analogue Input | Channel 2 right input multiplexor virtual ground |
| 5 | AIN3L | Analogue Input | Channel 3 left input multiplexor virtual ground |
| 6 | AIN3R | Analogue Input | Channel 3 right input multiplexor virtual ground |
| 7 | AIN4L | Analogue Input | Channel 4 left input multiplexor virtual ground |
| 8 | AIN4R | Analogue Input | Channel 4 right input multiplexor virtual ground |
| 9 | AIN5L | Analogue Input | Channel 5 left input multiplexor virtual ground |
| 10 | AIN5R | Analogue Input | Channel 5 right input multiplexor virtual ground |
| 11 | AIN6L | Analogue Input | Channel 6 left input multiplexor virtual ground |
| 12 | AIN6R | Analogue Input | Channel 6 right input multiplexor virtual ground |
| 13 | AIN7L | Analogue Input | Channel 7 left input multiplexor virtual ground |
| 14 | AIN7R | Analogue Input | Channel 7 right input multiplexor virtual ground |
| 15 | AIN8L | Analogue Input | Channel 8 left input multiplexor virtual ground |
| 16 | AIN8R | Analogue Input | Channel 8 right input multiplexor virtual ground |
| 17 | AINOPL | Analogue Output | Left channel multiplexor output |
| 18 | AINVGL | Analogue Input | Left channel multiplexor virtual ground |
| 19 | AINVGR | Analogue Input | Right channel multiplexor virtual ground |
| 20 | AINOPR | Analogue Output | Right channel multiplexor output |
| 21 | RECL | Analogue Output | Left channel input mux select output |
| 22 | RECR | Analogue Output | Right channel input mux select output |
| 23 | REFADC | Analogue Output | ADC reference buffer decoupling pin; 10uF external decoupling |
| 24 | VMIDADC | Analogue Output | ADC midrail divider decoupling pin; 10uF external decoupling |
| 25 | AGND1 | Supply | Analogue negative supply and substrate connection |
| 26 | AVDD1 | Supply | Analogue positive supply |
| 27 | AUX1L | Analogue input | 3.1 Multiplexor channel 1 left virtual ground input |
| 28 | AUX1R | Analogue input | 3.1 Multiplexor channel 1 right virtual ground input |
| 29 | AUX2L | Analogue input | 3.1 Multiplexor channel 2 left virtual ground input |
| 30 | AUX2R | Analogue input | 3.1 Multiplexor channel 2 right virtual ground input |
| 31 | AUX3L | Analogue input | 3.1 Multiplexor channel 3 left virtual ground input |
| 32 | AUX3R | Analogue input | 3.1 Multiplexor channel 3 right virtual ground input |
| 33 | AVDD2 | Supply | Analogue positive supply |
| 34 | VOUT1L | Analogue output | DAC channel 1 left output |
| 35 | VOUT1R | Analogue output | DAC channel 1 right output |
| 36 | DACREFP1 | Supply | DAC positive reference supply |
| 37 | VOUT2L | Analogue output | DAC channel 2 left output |
| 38 | GR1 | Supply | DAC ground reference |
| 39 | VOUT2R | Analogue output | DAC channel 2 right output |
| 40 | VMIDDAC | Analogue output | DAC midrail decoupling pin ; 10uF external decoupling |
| 41 | VOUT3L | Analogue output | DAC channel 3 left output |
| 42 | GR2 | Supply | DAC ground reference |
| 43 | VOUT3R | Analogue output | DAC channel 3 right output |
| 44 | DACREFP2 | Supply | DAC positive reference supply |
| 45 | VOUT4L | Analogue output | DAC channel 4 left output |
| 46 | VOUT4R | Analogue output | DAC channel 4 right output |
| 47 | AGND2 | Supply | Analogue negative supply and substrate connection |
| 48 | DGND | Supply | Digital negative supply |
| 49 | DVDD | Supply | Digital positive supply |
| 50 | ZFLAG1 | Digital output | DAC Zero Flag output |
| 51 | ZFLAG2 | Digital output | DAC Zero Flag output |

| PIN | NAME | TYPE | DESCRIPTION |
|-----|----------|----------------------|---|
| 52 | DOUT | Digital output | ADC data output |
| 53 | DIN1 | Digital Input | DAC channel 1 data input |
| 54 | DIN2 | Digital Input | DAC channel 2 data input |
| 55 | DIN3 | Digital Input | DAC channel 3 data input |
| 56 | DIN4 | Digital Input | DAC channel 4 data input |
| 57 | DA CLR C | Digital input/output | DAC left/right word clock |
| 58 | AD CLR C | Digital input/output | ADC left/right word clock |
| 59 | BCLK | Digital input/output | ADC and DAC audio interface bit clock |
| 60 | MCLK | Digital input | Master DAC and ADC clock; 256, 384, 512 or 768fs (fs = word clock frequency) |
| 61 | CL | Digital input | Serial interface clock (5V tolerant) |
| 62 | DI | Digital input | Serial interface data (5V tolerant) |
| 63 | CE | Digital input | Serial interface Latch signal (5V tolerant) |
| 64 | RESETB | Digital input | Device reset input (mutes DAC outputs, resets gain stages to 0dB) (5V tolerant) |

Note: Digital input pins have Schmitt trigger input buffers and are 5V tolerant.

ABSOLUTE MAXIMUM RATINGS

Absolute Maximum Ratings are stress ratings only. Permanent damage to the device may be caused by continuously operating at or beyond these limits. Device functional operating limits and guaranteed performance specifications are given under Electrical Characteristics at the test conditions specified.



ESD Sensitive Device. This device is manufactured on a CMOS process. It is therefore generically susceptible to damage from excessive static voltages. Proper ESD precautions must be taken during handling and storage of this device.

Wolfson tests its package types according to IPC/JEDEC J-STD-020B for Moisture Sensitivity to determine acceptable storage conditions prior to surface mount assembly. These levels are:

MSL1 = unlimited floor life at <30°C / 85% Relative Humidity. Not normally stored in moisture barrier bag.

MSL2 = out of bag storage for 1 year at <30°C / 60% Relative Humidity. Supplied in moisture barrier bag.

MSL3 = out of bag storage for 168 hours at <30°C / 60% Relative Humidity. Supplied in moisture barrier bag.

The Moisture Sensitivity Level for each package type is specified in Ordering Information.

| CONDITION | MIN | MAX |
|--|------------|-------------|
| Digital supply voltage | -0.3V | +3.63V |
| Analogue supply voltage | -0.3V | +7V |
| Voltage range digital inputs (DI, CL, CE & RESETB) | DGND -0.3V | +7V |
| Voltage range digital inputs (MCLK, DIN[3:0], ADCLRC, DACLRC & BCLK) | DGND -0.3V | DVDD + 0.3V |
| Voltage range analogue inputs | AGND -0.3V | AVDD + 0.3V |
| Master Clock Frequency | | 37MHz |
| Operating temperature range, T _A | -40°C | +85°C |
| Storage temperature | -65°C | +150°C |

Note:

- Analogue and digital grounds must always be within 0.3V of each other.

RECOMMENDED OPERATING CONDITIONS

| PARAMETER | SYMBOL | TEST CONDITIONS | MIN | TYP | MAX | UNIT |
|-------------------------|------------|-----------------|------|-----|------|------|
| Digital supply range | DVDD | | 2.7 | | 3.6 | V |
| Analogue supply range | AVDD | | 2.7 | | 5.5 | V |
| Ground | AGND, DGND | | | 0 | | V |
| Difference DGND to AGND | | | -0.3 | 0 | +0.3 | V |

Note: digital supply DVDD must never be more than 0.3V greater than AVDD.

ELECTRICAL CHARACTERISTICS

Test Conditions

AVDD = 5V, DVDD = 3.3V, AGND = 0V, DGND = 0V, T_A = +25°C, fs = 48kHz, MCLK = 256fs, ADC/DAC in Slave Mode unless otherwise stated.

| PARAMETER | SYMBOL | TEST CONDITIONS | MIN | TYP | MAX | UNIT |
|--|-------------------|------------------------------------|------------|--------------|------------|------------------|
| Digital Logic Levels (TTL Levels) | | | | | | |
| Input LOW level | V _{IL} | | | | 0.8 | V |
| Input HIGH level | V _{IH} | | 2.0 | | | V |
| Output LOW | V _{OL} | I _{OL} =1mA | | | 0.1 x DVDD | V |
| Output HIGH | V _{OH} | I _{OH} =1mA | 0.9 x DVDD | | | V |
| Analogue Reference Levels | | | | | | |
| Reference voltage | V _{VMID} | | | AVDD/2 | | V |
| Potential divider resistance | R _{VMID} | AVDD to VMID and VMID to AGND | | 50k | | Ω |
| DAC Performance (Load = 10kΩ, 50pF) | | | | | | |
| 0dBFS Full scale output voltage | | | | 1.0 x AVDD/5 | | V _{rms} |
| SNR (Note 1,2) | | A-weighted, @ fs = 48kHz | 100 | 106 | | dB |
| SNR (Note 1,2) | | A-weighted @ fs = 96kHz | | 106 | | dB |
| Dynamic Range (Note 2) | DNR | A-weighted, -60dB full scale input | 100 | 106 | | dB |
| Total Harmonic Distortion (THD) | | 1kHz, 0dBFS | | -94 | -88 | dB |
| DAC channel separation | | | | 110 | | dB |
| DAC analogue Volume Gain Step Size | | | | 1 | | dB |
| DAC analogue Volume Gain Range | | 1kHz Input | | 0 to -100 | | dB |
| Output Noise | | A-weighted output muted | | -116 | | dB |
| DAC analogue Volume Mute Attenuation | | 1kHz Input, 0dB gain | | 100 | | dB |
| Power Supply Rejection Ratio | PSRR | 1kHz 100mVpp | | 50 | | dB |
| | | 20Hz to 20kHz 100mVpp | | 45 | | dB |
| ADC Performance | | | | | | |
| Input Signal Level (0dB) | | | | 1.0 x AVDD/5 | | V _{rms} |
| SNR (Note 1,2) | | A-weighted, 0dB gain @ fs = 48kHz | | 102 | | dB |
| SNR (Note 1,2) | | A-weighted, 0dB gain @ fs = 96kHz | | 96 | | dB |
| Dynamic Range (note 2) | | A-weighted, -60dB full scale input | | 102 | | dB |
| Total Harmonic Distortion (THD) | | kHz, 0dBFS | | -89 | | dB |
| | | 1kHz, -1dBFS | | -94 | -90 | dB |
| ADC Channel Separation | | 1kHz Input | | 85 | | dB |
| Programmable Gain Step Size | | | | 1.0 | | dB |
| Programmable Gain Range | | 1kHz Input | | -12 to +19 | | dB |
| Mute Attenuation | | 1kHz Input, 0dB gain | | 82 | | dB |
| Power Supply Rejection Ratio | PSRR | 1kHz 100mVpp | | 50 | | dB |
| | | 20Hz to 20kHz 100mVpp | | 45 | | dB |

Test Conditions

AVDD = 5V, DVDD = 3.3V, AGND = 0V, DGND = 0V, T_A = +25°C, fs = 48kHz, MCLK = 256fs, ADC/DAC in Slave Mode unless otherwise stated.

| PARAMETER | SYMBOL | TEST CONDITIONS | MIN | TYP | MAX | UNIT |
|---|--------|--------------------------|-----|-----------------|-----|------|
| Analogue input (AIN) to Analogue output (VOUT) (Load=10kΩ, 50pF, gain = 0dB) Bypass Mode | | | | | | |
| 0dB Full scale output voltage | | | | 1.0 x AVDD/5 | | Vrms |
| SNR (Note 1) | | | | 104 | | dB |
| THD | | 1kHz, 0dB | | -90 | | dB |
| | | 1kHz, -3dB | | -95 | | dB |
| Power Supply Rejection Ratio | PSRR | 1kHz 100mVpp | | 50 | | dB |
| | | 20Hz to 20kHz 100mVpp | | 45 | | dB |
| Mute Attenuation | | 1kHz, 0dB | | 100 | | dB |
| Supply Current | | | | | | |
| Analogue supply current | | AVDD = 5V | | 120 | | mA |
| Digital supply current | | DVDD = 3.3V | | 16 | | mA |

Notes:

- Ratio of output level with 1kHz full scale input, to the output level with all zeros into the digital input, measured 'A' weighted.
- All performance measurements done with 20kHz low pass filter, and where noted an A-weight filter. Failure to use such a filter will result in higher THD+N and lower SNR and Dynamic Range readings than are found in the Electrical Characteristics. The low pass filter removes out of band noise; although it is not audible it may affect dynamic specification values.
- VMID decoupled with 10uF and 0.1uF capacitors (smaller values may result in reduced performance).

TERMINOLOGY

- Signal-to-noise ratio (dB) - SNR is a measure of the difference in level between the full scale output and the output with no signal applied. (No Auto-zero or Automute function is employed in achieving these results).
- Dynamic range (dB) - DNR is a measure of the difference between the highest and lowest portions of a signal. Normally a THD+N measurement at 60dB below full scale. The measured signal is then corrected by adding the 60dB to it. (e.g. THD+N @ -60dB= -32dB, DR= 92dB).
- THD+N (dB) - THD+N is a ratio, of the rms values, of (Noise + Distortion)/Signal.
- Stop band attenuation (dB) - Is the degree to which the frequency spectrum is attenuated (outside audio band).
- Channel Separation (dB) - Also known as Cross-Talk. This is a measure of the amount one channel is isolated from the other. Normally measured by sending a full scale signal down one channel and measuring the other.
- Pass-Band Ripple - Any variation of the frequency response in the pass-band region.

MASTER CLOCK TIMING

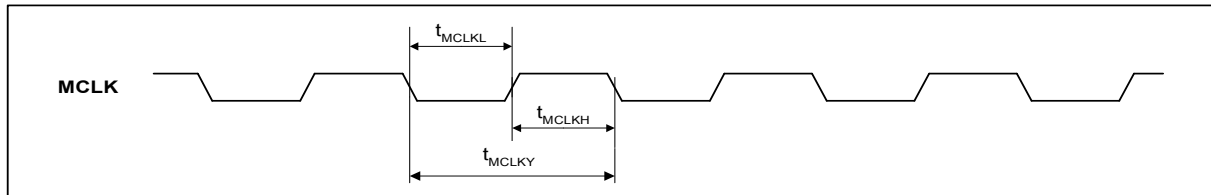


Figure 1 Master Clock Timing Requirements

Test Conditions

AVDD = 5V, DVDD = 3.3V, AGND = 0V, DGND = 0V, T_A = +25°C, fs = 48kHz, MCLK = 256fs, ADC/DAC in Slave Mode unless otherwise stated.

| PARAMETER | SYMBOL | TEST CONDITIONS | MIN | TYP | MAX | UNIT |
|--|-------------|-----------------------|-------|-----|-------|------------|
| System Clock Timing Information | | | | | | |
| MCLK System clock pulse width high | t_{MCLKH} | | 11 | | | ns |
| MCLK System clock pulse width low | t_{MCLKL} | | 11 | | | ns |
| MCLK System clock cycle time | t_{MCLKY} | | 28 | | 1000 | ns |
| MCLK Duty cycle | | | 40:60 | | 60:40 | |
| Power-saving mode activated | | After MCLK stopped | 2 | | 10 | µs |
| Normal mode resumed | | After MCLK re-started | 0.5 | | 1 | MCLK cycle |

Table 1 Master Clock Timing Requirements

Note: If MCLK period is longer than maximum specified above, DACs are powered down with internal digital audio filters being reset. In this mode, all registers will retain their values and can be accessed in the normal manner through the control interface. Once MCLK is restored, the DACs are automatically powered up.

DIGITAL AUDIO INTERFACE – MASTER MODE

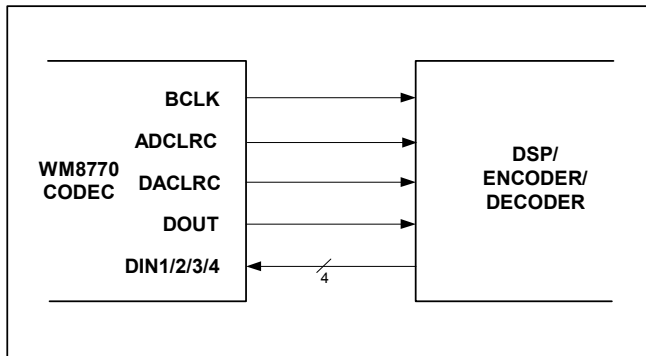


Figure 2 Audio Interface - Master Mode

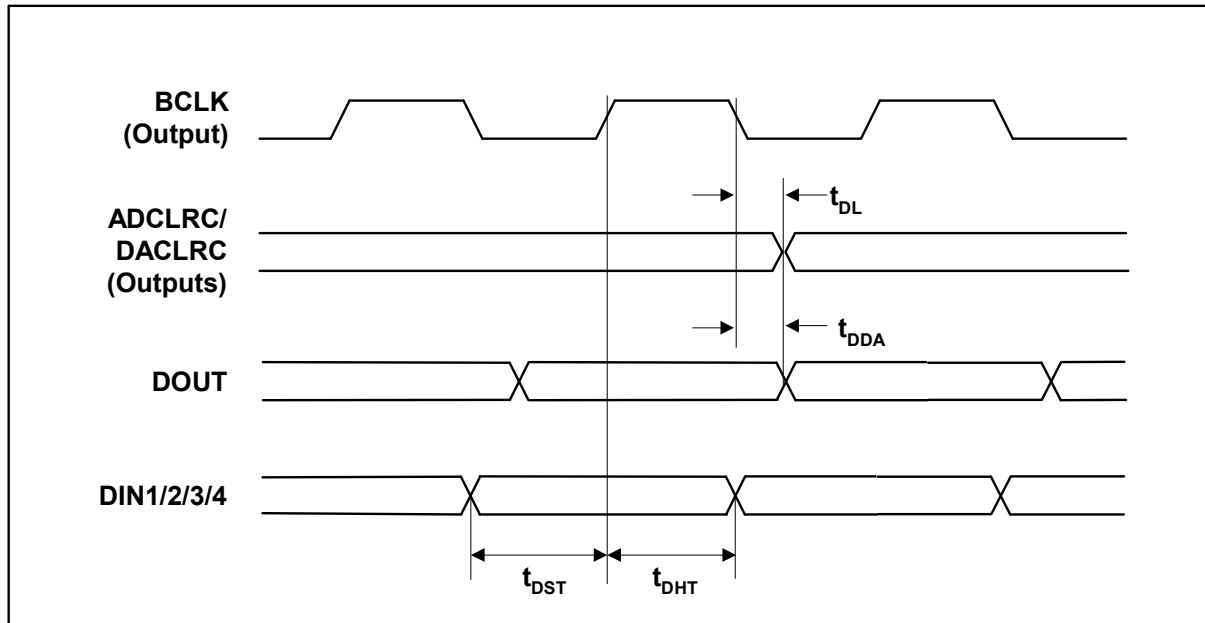


Figure 3 Digital Audio Data Timing – Master Mode

Test Conditions

AVDD = 5V, DVDD = 3.3V, AGND = 0V, DGND = 0V, T_A = +25°C, fs = 48kHz, MCLK = 256fs, ADC/DAC in Slave Mode unless otherwise stated.

| PARAMETER | SYMBOL | TEST CONDITIONS | MIN | TYP | MAX | UNIT |
|--|------------------|-----------------|-----|-----|-----|------|
| Audio Data Input Timing Information | | | | | | |
| ADCLRC/DACLRC propagation delay from BCLK falling edge | t _{DL} | | 0 | | 10 | ns |
| DOUT propagation delay from BCLK falling edge | t _{DDA} | | 0 | | 10 | ns |
| DIN1/2/3/4 setup time to BCLK rising edge | t _{DST} | | 10 | | | ns |
| DIN1/2/3/4 hold time from BCLK rising edge | t _{DHT} | | 10 | | | ns |

Table 2 Digital Audio Data Timing – Master Mode

DIGITAL AUDIO INTERFACE – SLAVE MODE

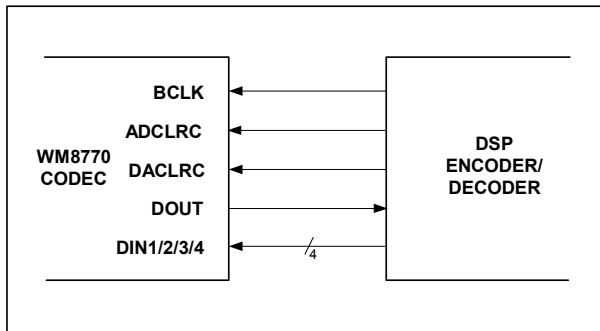


Figure 4 Audio Interface – Slave Mode

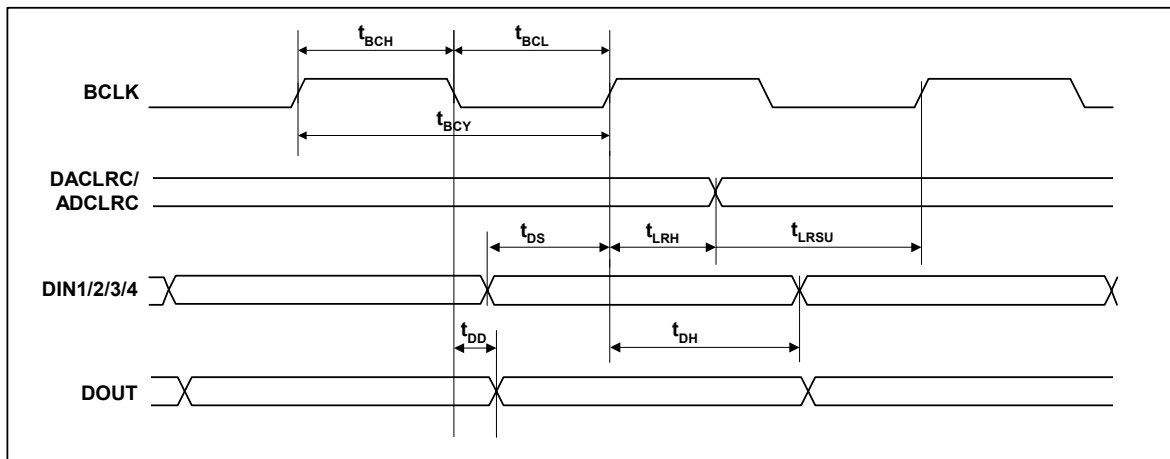


Figure 5 Digital Audio Data Timing – Slave Mode

Test Conditions

AVDD = 5V, DVDD = 3.3V, AGND = 0V, DGND = 0V, T_A = +25°C, fs = 48kHz, MCLK = 256fs, ADC/DAC in Slave Mode unless otherwise stated.

| PARAMETER | SYMBOL | TEST CONDITIONS | MIN | TYP | MAX | UNIT |
|---|-------------------|-----------------|-----|-----|-----|------|
| Audio Data Input Timing Information | | | | | | |
| BCLK cycle time | t _{BCY} | | 80 | | | ns |
| BCLK pulse width high | t _{BCH} | | 20 | | | ns |
| BCLK pulse width low | t _{BCL} | | 20 | | | ns |
| DACLRC/ADCLRC set-up time to BCLK rising edge | t _{LRSU} | | 10 | | | ns |
| DACLRC/ADCLRC hold time from BCLK rising edge | t _{LRH} | | 10 | | | ns |
| DIN1/2/3/4 set-up time to BCLK rising edge | t _{DS} | | 10 | | | ns |
| DIN1/2/3/4 hold time from BCLK rising edge | t _{DH} | | 10 | | | ns |
| DOUT propagation delay from BCLK falling edge | t _{DD} | | 0 | | 10 | ns |

Table 3 Digital Audio Data Timing – Slave Mode

Note: ADCLRC and DACLRC should be synchronous with MCLK, although the WM8770 interface is tolerant of phase variations or jitter on these signals.

MPU INTERFACE TIMING

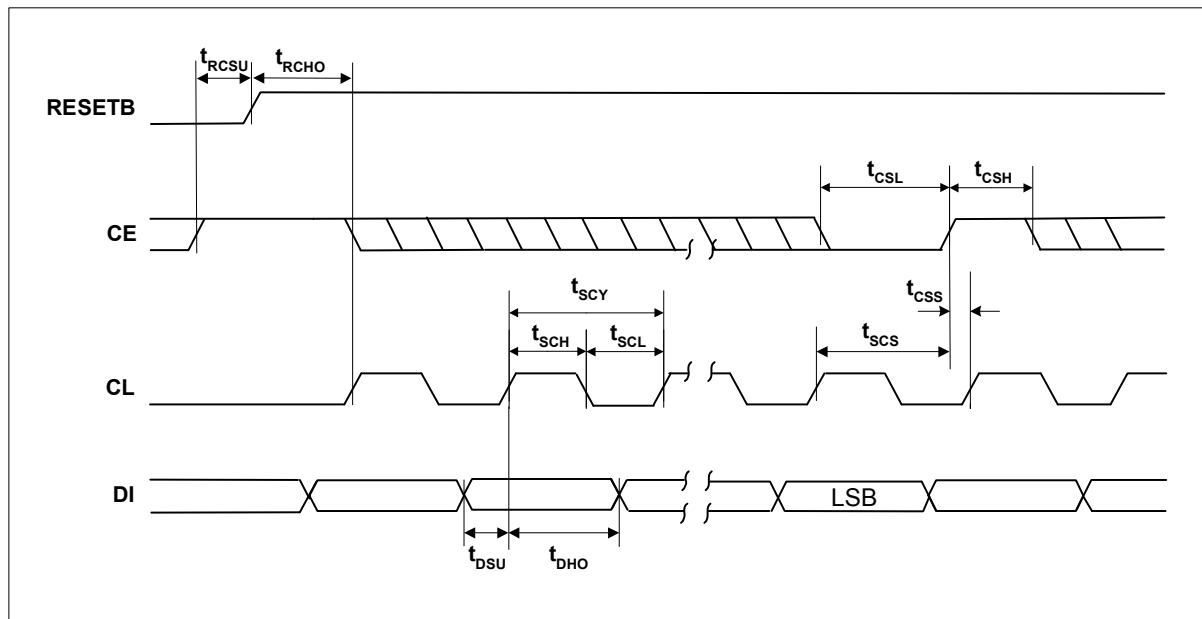


Figure 6 SPI Compatible Control Interface Input Timing

Test Conditions

AVDD = 5V, DVDD = 3.3V, AGND = 0V, DGND = 0V, $T_A = +25^\circ\text{C}$, $f_s = 48\text{kHz}$, MCLK = 256fs, ADC/DAC in Slave Mode unless otherwise stated.

| PARAMETER | SYMBOL | MIN | TYP | MAX | UNIT |
|----------------------------------|-------------------|-----|-----|-----|------|
| CE to RESETB hold time | t_{RCSU} | 20 | | | ns |
| RESETB to CL setup time | t_{RCHO} | 20 | | | ns |
| CL rising edge to CE rising edge | t_{SCS} | 60 | | | ns |
| CL pulse cycle time | t_{SCY} | 80 | | | ns |
| CL pulse width low | t_{SCL} | 30 | | | ns |
| CL pulse width high | t_{SCH} | 30 | | | ns |
| DI to CL set-up time | t_{DSU} | 20 | | | ns |
| CL to DI hold time | t_{DHO} | 20 | | | ns |
| CE pulse width low | t_{CSL} | 20 | | | ns |
| CE pulse width high | t_{CSH} | 20 | | | ns |
| CE rising to CL rising | t_{CSS} | 20 | | | ns |

Table 4 3 Wire SPI Compatible Control Interface Input Timing Information

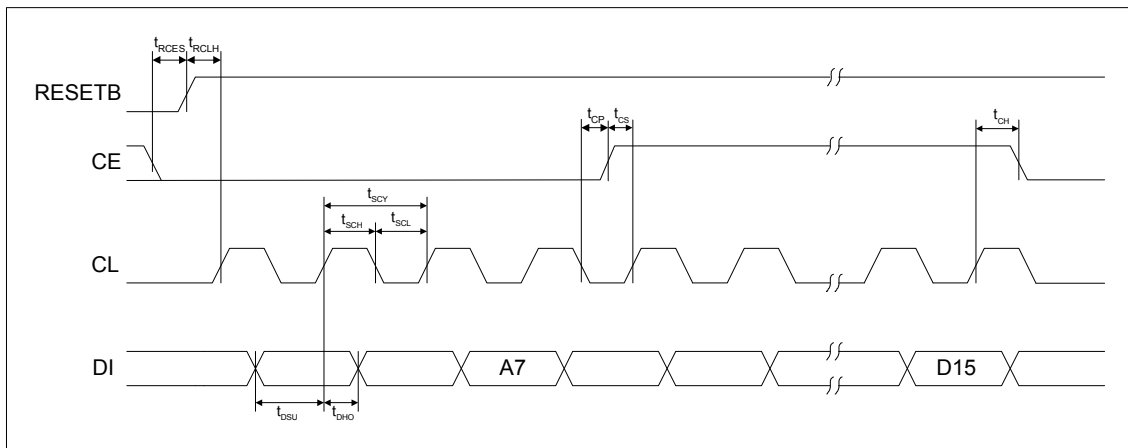


Figure 7 3 Wire CCB Compatible Interface Input Timing Information – CL Stopped Low

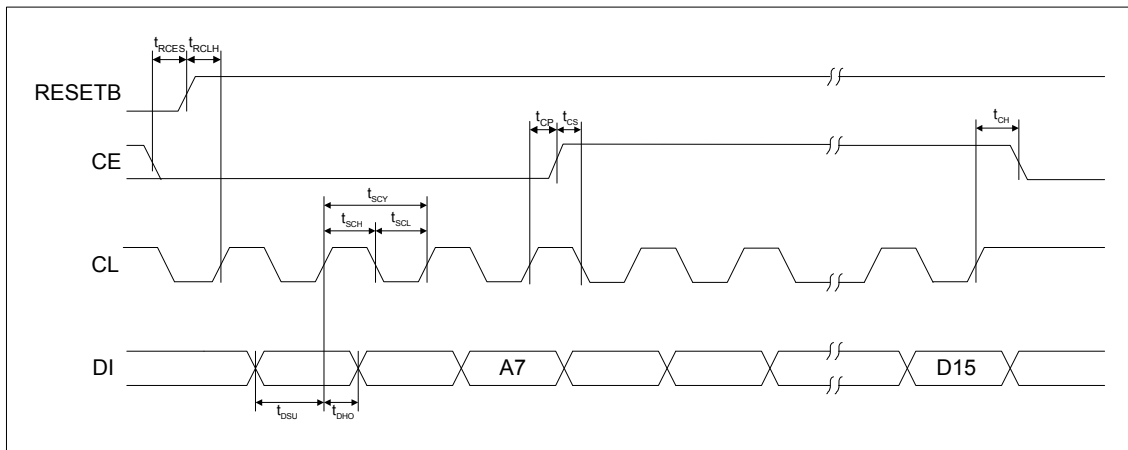


Figure 8 3 Wire CCB Compatible Interface Input Timing Information – CL Stopped High

Test Conditions

AVDD = 5V, DVDD = 3.3V, AGND = 0V, DGND = 0V, TA = +25°C, fs = 48kHz, MCLK = 256fs, ADC/DAC in Slave Mode unless otherwise stated.

| PARAMETER | SYMBOL | MIN | TYP | MAX | UNIT |
|-------------------------|-------------------|-----|-----|-----|------|
| CE to RESETB setup time | t _{RCES} | 20 | | | ns |
| RESETB to CL hold time | t _{RCLH} | 20 | | | ns |
| DI to CL setup time | t _{DSU} | 20 | | | ns |
| CL to DI hold time | t _{DHO} | 20 | | | ns |
| CL to CE setup time | t _{CS} | 20 | | | ns |
| CE to CL wait time | t _{CP} | 20 | | | ns |
| CL to CE hold time | t _{CH} | 20 | | | ns |
| CL pulse width high | t _{SCH} | 30 | | | ns |
| CL pulse width low | t _{SCL} | 30 | | | ns |
| CL pulse cycle time | t _{SCY} | 80 | | | ns |

Table 5 3 wire CCB Compatible Interface Input Timing Information

INTERNAL POWER ON RESET CIRCUIT

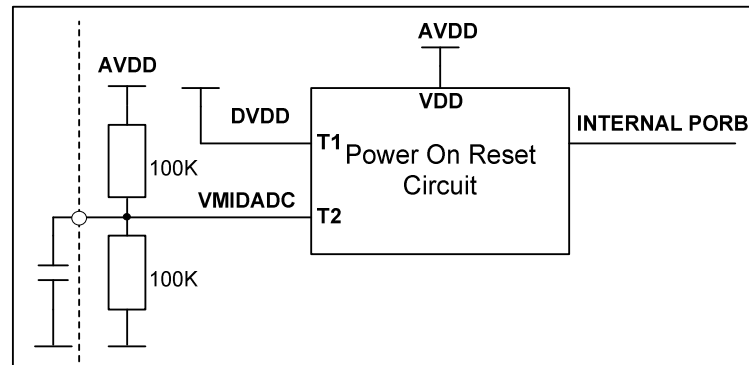


Figure 9 Internal Power On Reset Circuit Schematic

The WM8770 includes an internal Power On Reset Circuit which is used to reset the digital logic into a default state after power up.

Figure 9 shows a schematic of the internal POR circuit. The POR circuit is powered from AVDD. The circuit monitors DVDD and VMIDADC and asserts PORB low if DVDD or VMIDADC are below the minimum threshold V_{por_off} .

On power up, the POR circuit requires AVDD to be present to operate. PORB is asserted low until AVDD, DVDD and VMIDADC are established. When AVDD, DVDD, and VMIDADC have been established, PORB is released high, all registers are in their default state and writes to the digital interface may take place.

On power down, PORB is asserted low whenever DVDD or VMIDADC drop below the minimum threshold V_{por_off} .

If AVDD is removed at any time, the internal Power On Reset circuit is powered down and PORB will follow AVDD.

In most applications the time required for the device to release PORB high will be determined by the charge time of the VMIDADC node.

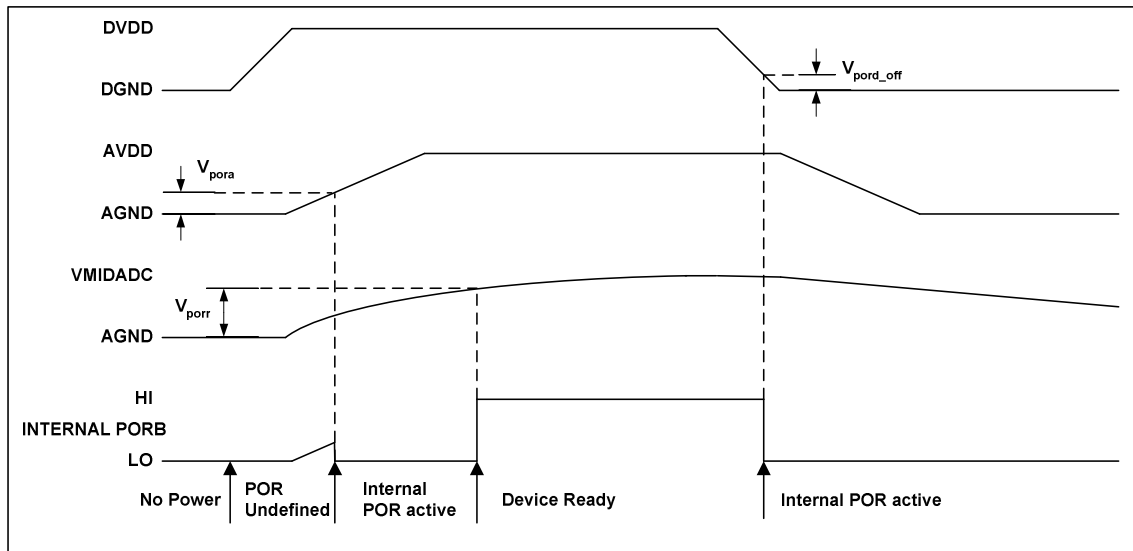


Figure 10 Typical Power up sequence where DVDD is powered before AVDD.

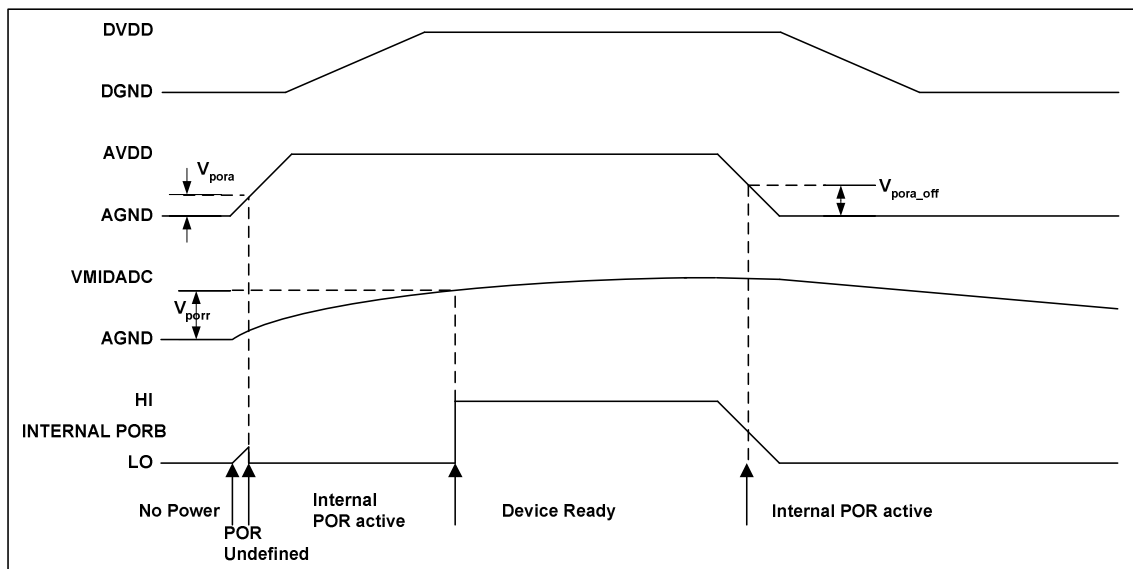


Figure 11 Typical Power up sequence where AVDD is powered before DVDD

Typical POR Operation (typical values, not tested)

| SYMBOL | MIN | TYP | MAX | UNIT |
|-----------------|-----|-----|-----|------|
| V_{pora} | 0.5 | 0.7 | 1.0 | V |
| V_{porr} | 0.5 | 0.7 | 1.1 | V |
| V_{pora_off} | 1.0 | 1.4 | 2.0 | V |
| V_{pord_off} | 0.6 | 0.8 | 1.0 | V |

In a real application the designer is unlikely to have control of the relative power up sequence of AVDD and DVDD. Using the POR circuit to monitor VMIDADC ensures a reasonable delay between applying power to the device and Device Ready.

Figure 10 and Figure 11 show typical power up scenarios in a real system. Both AVDD and DVDD must be established and VMIDADC must have reached the threshold V_{porr} before the device is ready and can be written to. Any writes to the device before Device Ready will be ignored.

Figure 10 shows DVDD powering up before AVDD. Figure 11 shows AVDD powering up before DVDD. In both cases, the time from applying power to Device Ready is dominated by the charge time of VMIDADC.

A 10uF cap is recommended for decoupling on VMIDADC. The charge time for VMIDADC will dominate the time required for the device to become ready after power is applied. The time required for VMIDADC to reach the threshold is a function of the VMIDADC resistor string and the decoupling capacitor. The Resistor string has a typical equivalent resistance of 50kohm (+/-20%). Assuming a 10uF capacitor, the time required for VMIDADC to reach threshold of 1V is approx 110ms.

DEVICE DESCRIPTION

INTRODUCTION

WM8770 is a complete 8-channel DAC, 2-channel ADC audio codec, including digital interpolation and decimation filters, multi-bit sigma delta stereo ADC, and switched capacitor multi-bit sigma delta DACs with analogue volume controls on each channel and output smoothing filters.

The device is implemented as four separate stereo DACs and a stereo ADC with flexible input multiplexor, in a single package and controlled by a single interface.

The four stereo channels may either be used to implement a 5.1 channel surround system, with additional stereo channel for a stereo mix down channel, or for a complete 7.1 channel surround system.

An analogue bypass path option is available, to allow stereo analogue signals from any of the 8 stereo inputs to be sent to the stereo outputs via the main volume controls. This allows a purely analogue input to analogue output high quality signal path to be implemented if required. This would allow, for example, the user to play back a 5.1 channel surround movie through 6 of the DACs, whilst playing back a separate analogue or digital signal into a remote room installation.

Each stereo DAC has its own data input DIN1/2/3/4. DAC word clock DACLRC is shared between them. The stereo ADC has its own data output DOUT, and word clock ADCLRC. BITCLK and MCLK are shared between the ADCs and DACs. The Audio Interface may be configured to operate in either master or slave mode. In Slave mode ADCLRC, DACLRC and BCLK are all inputs. In Master mode ADCLRC, DACLRC and BCLK are all outputs.

The input multiplexor to the ADC is configured to allow large signal levels to be input to the ADC, using external resistors to reduce the amplitude of larger signals to within the normal operating range of the ADC. The ADC input PGA also allows input signals to be gained up to +19dB and attenuated down to -12dB. This allows the user maximum flexibility in the use of the ADC.

A selectable stereo record output is also provided on RECL/R. It is intended that the RECL/R outputs are only used to drive a high impedance buffer.

Each DAC has its own analogue and separate digital volume control. The analogue volume control is adjustable in 1dB steps and the digital volume control in 0.5dB steps. The analogue and digital volume controls may be operated independently. In addition a zero cross detect circuit is provided for each DAC for both analogue and digital volume controls. When analogue volume zero-cross detection is enabled the attenuation values are only updated when the input signal to the gain stage is close to the analogue ground level. The digital volume control detects a transition through the zero point before updating the volume. This minimises audible clicks and 'zipper' noise as the gain values change.

Additionally, 6 of the DAC outputs incorporate an input selector and mixer allowing an external 6 channel, or 5.1 channel signal, to be either switched into the signal path in place of the DAC signal or mixed with the DAC signal before the volume controls. This allows the device to be used as a 6 channel volume control for an externally provided 5.1 type analogue input. Use of external resistors allows larger input levels to be accepted by the device, giving maximum user flexibility.

Control of internal functionality of the device is by 3-wire serial control interface. An SPI or CCB type interface may be used, selectable by the state of the CE pin on the rising edge of RESETB. The control interface may be asynchronous to the audio data interface as control data will be re-synchronised to the audio processing internally.

CE, CL, DI and RESETB are 5V tolerant with TTL input thresholds, allowing the WM8770 to be used with DVDD = 3.3V and be controlled by a controller with 5V output.

Operation using system clock of 128fs, 192fs, 256fs, 384fs, 512fs or 768fs is provided. In Slave mode selection between clock rates is automatically controlled. In master mode the master clock to sample rate ratio is set by control bits ADCRATE and DACRATE. ADC and DAC may run at different rates within the constraint of a common master clock for the ADC and DACs. For example with master clock at 24.576MHz, a DAC sample rate of 96kHz (256fs mode) and an ADC sample rate of 48kHz (512fs mode) can be accommodated. Master clock. Sample rates (fs) from less than 8ks/s up to 192ks/s are allowed, provided the appropriate system clock is input.

The audio data interface supports right, left and I²S interface formats.

AUDIO DATA SAMPLING RATES

In a typical digital audio system there is only one central clock source producing a reference clock to which all audio data processing is synchronised. This clock is often referred to as the audio system's Master Clock. The external master system clock can be applied directly through the MCLK input pin with no software configuration necessary. In a system where there are a number of possible sources for the reference clock it is recommended that the clock source with the lowest jitter be used to optimise the performance of the ADC and DAC.

The master clock for WM8770 supports DAC and ADC audio sampling rates from 256fs to 768fs, where fs is the audio sampling frequency (DACLRC or ADCLRC) typically 32kHz, 44.1kHz, 48kHz or 96kHz (the DAC also supports operation at 128fs and 192fs and 192kHz sample rate). The master clock is used to operate the digital filters and the noise shaping circuits.

In Slave mode the WM8770 has a master detection circuit that automatically determines the relationship between the master clock frequency and the sampling rate (to within +/- 32 system clocks). If there is a greater than 32 clocks error the interface is disabled and maintains the output level at the last sample. The master clock must be synchronised with ADCLRC/DACLRC, although the WM8770 is tolerant of phase variations or jitter on this clock. Table 6 shows the typical master clock frequency inputs for the WM8770.

The signal processing for the WM8770 typically operates at an oversampling rate of 128fs for both ADC and DAC. The exception to this for the DAC is for operation with a 128/192fs system clock, e.g. for 192kHz operation where the oversampling rate is 64fs. For ADC operation at 96kHz it is recommended that the user set the ADCOSR bit. This changes the ADC signal processing oversample rate to 64fs.

| SAMPLING RATE (DACLRC/ ADCLRC) | System Clock Frequency (MHz) | | | | | |
|--------------------------------------|------------------------------|--------|-------------|-------------|-------------|-------------|
| | 128fs | 192fs | 256fs | 384fs | 512fs | 768fs |
| | DAC ONLY | | | | | |
| 32kHz | 4.096 | 6.144 | 8.192 | 12.288 | 16.384 | 24.576 |
| 44.1kHz | 5.6448 | 8.467 | 11.2896 | 16.9340 | 22.5792 | 33.8688 |
| 48kHz | 6.144 | 9.216 | 12.288 | 18.432 | 24.576 | 36.864 |
| 96kHz | 12.288 | 18.432 | 24.576 | 36.864 | Unavailable | Unavailable |
| 192kHz | 24.576 | 36.864 | Unavailable | Unavailable | Unavailable | Unavailable |

Table 6 System Clock Frequencies Versus Sampling Rate

In Master mode BCLK, DACLRC and ADCLRC are generated by the WM8770. The frequencies of ADCLRC and DACLRC are set by setting the required ratio of MCLK to DACLRC and ADCLRC using the DACRATE and ADCRATE control bits (Table 7).

| ADCRATE[2:0]/ DACRATE[2:0] | MCLK:ADCLRC/DACLRC RATIO |
|-------------------------------|-----------------------------|
| 000 | 128fs (DAC Only) |
| 001 | 192fs (DAC Only) |
| 010 | 256fs |
| 011 | 384fs |
| 100 | 512fs |
| 101 | 768fs |

Table 7 Master Mode MCLK: ADCLRC/DACLRC Ratio Select

Table 8 shows the settings for ADCRATE and DACRATE for common sample rates and MCLK frequencies.

| SAMPLING RATE (DACLR/ADCLRC) | System Clock Frequency (MHz) | | | | | |
|---------------------------------|------------------------------|--------------|--------------------------|--------------------------|--------------------------|--------------------------|
| | 128fs | 192fs | 256fs | 384fs | 512fs | 768fs |
| | DACRATE =000 | DACRATE =001 | ADCRATE/ DACRATE =010 | ADCRATE/ DACRATE =011 | ADCRATE/ DACRATE =100 | ADCRATE/ DACRATE =101 |
| 32kHz | 4.096 | 6.144 | 8.192 | 12.288 | 16.384 | 24.576 |
| 44.1kHz | 5.6448 | 8.467 | 11.2896 | 16.9340 | 22.5792 | 33.8688 |
| 48kHz | 6.144 | 9.216 | 12.288 | 18.432 | 24.576 | 36.864 |
| 96kHz | 12.288 | 18.432 | 24.576 | 36.864 | Unavailable | Unavailable |
| 192kHz | 24.576 | 36.864 | Unavailable | Unavailable | Unavailable | Unavailable |

Table 8 Master Mode ADC/DACLRC Frequency Selection

BCLK is also generated by the WM8770. The frequency of BCLK depends on the mode of operation.

In 128/192fs modes (DACRATE=000 or 001) BCLK = MCLK/2. In 256/384/512fs modes (ADCRATE/DACRATE=010 or 011 or 100) BCLK = MCLK/4.

ZERO DETECT

The WM8770 has a zero detect circuit for each DAC channel which detects when 1024 consecutive zero samples have been input. Two zero flag outputs (ZFLAG1 and ZFLAG2) may be programmed to output the zero detect signals (see Table 9) which may then be used to control external muting circuits. A '1' on ZFLAG1 or ZFLAG2 indicates a zero detect. When a DAC is powered down ZFLAG1 and ZFLAG2 will go high by default if the Zero Detect is selected for that DAC. When this DAC is powered off, the Bypass path is selected and there is an external mute circuit controlled by ZFLAG1 or ZFLAG2, the Zero Detect feature should be de-selected or the output will be muted.

The zero detect may also be used to automatically enable the PGA mute by setting IZD. The zero flag output may be disabled by setting DZFM to 0000. The zero flag signal for a DAC channel will only be enabled if that channel is enabled as an input to the output summing stage.

| DZFM[3:0] | ZFLAG1 | ZFLAG2 |
|-----------|---------------------|----------------------|
| 0000 | Zero flag disabled | Zero flag disabled |
| 0001 | All channels zero | All channels zero |
| 0010 | Left channels zero | Right channels zero |
| 0011 | Channel 1 zero | Channels 2-4 zero |
| 0100 | Channel 1 zero | Channel 2 zero |
| 0101 | Channel 1 zero | Channel 3 zero |
| 0110 | Channel 1 zero | Channel 4 zero |
| 0111 | Channel 2 zero | Channel 3 zero |
| 1000 | Channel 2 zero | Channel 4 zero |
| 1001 | Channel 3 zero | Channel 4 zero |
| 1010 | Channels 1-3 zero | Channel 4 zero |
| 1011 | Channel 1 zero | Channels 2 & 3 zero |
| 1100 | Channel 1 left zero | Channel 1 right zero |
| 1101 | Channel 2 left zero | Channel 2 right zero |
| 1110 | Channel 3 left zero | Channel 3 right zero |
| 1111 | Channel 4 left zero | Channel 4 right zero |

Table 9 Zero Flag Output Select

POWERDOWN MODES

The WM8770 has powerdown control bits allowing specific parts of the WM8770 to be powered off when not being used. The 8-channel input source selector and input buffer may be powered down using control bit AINPD. When AINPD is set all inputs to the source selector (AIN1I/R to AIN8L/R) are switched to a buffered VMIDADC. Control bit ADCPD powers off the ADC and also the ADC input PGAs. The four stereo DACs each have a separate powerdown control bit, DACPD[3:0] allowing individual stereo DACs to be powered off when not in use. The analogue output mixers and EVRs may also be powered down by setting OUTPD[3:0]. OUTPD[3:0] also switches the analogue outputs VOUTL/R to VMIDDAC to maintain a dc level on the output. Setting AINPD, ADCPD, DACPD[3:0] and OUTPD[3:0] will powerdown everything except the references VMIDADC, ADCREF and VMIDDAC. These may be powered down by setting PDWN. Setting PDWN will override all other powerdown control bits. It is recommended that the 8-channel input mux and buffer, ADC, DAC and output mixers and EVRs are powered down before setting PDWN. The default is for all powerdown bits to be set except PDWN.

The Powerdown control bits allow parts of the device to be powered down when not in use. For example, if only an analogue bypass path from AINL/R to VOUTL/R is required the ADCPD and DACPD[3:0] control bits may be set leaving the analogue input and analogue output powered up.

DIGITAL AUDIO INTERFACE

MASTER AND SLAVE MODES

The audio interface operates in either Slave or Master mode, selectable using the MS control bit. In both Master and Slave modes DACDAT is always an input to the WM8770 and ADCDAT is always an output. The default is Slave mode.

In Slave mode (MS=0) ADCLRC, DACLRC and BCLK are inputs to the WM8770 (Figure 12). DIN1/2/3/4, ADCLRC and DACLRC are sampled by the WM8770 on the rising edge of BCLK. ADC data is output on DOUT and changes on the falling edge of BCLK. By setting control bit BCLKINV the polarity of BCLK may be reversed so that DIN1/2/3/4, ADCLRC and DACLRC are sampled on the falling edge of BCLK and DOUT changes on the rising edge of BCLK.

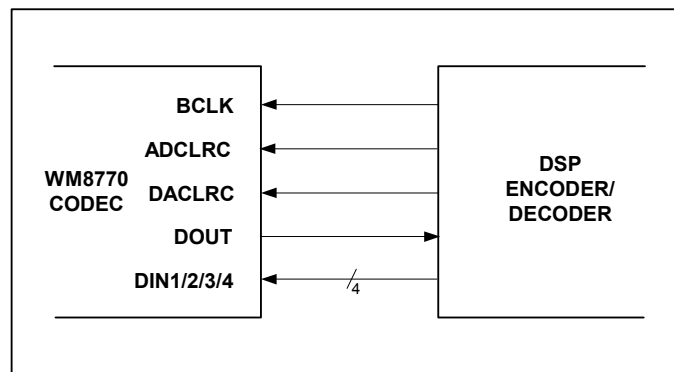


Figure 12 Slave Mode

In Master mode (MS=1) ADCLRC, DACLRC and BCLK are outputs from the WM8770 (Figure 13). ADCLRC, DACLRC and BITCLK are generated by the WM8770. DIN1/2/3/4 are sampled by the WM8770 on the rising edge of BCLK so the controller must output DAC data that changes on the falling edge of BCLK. ADCDAT is output on DOUT and changes on the falling edge of BCLK. By setting control bit BCLKINV the polarity of BCLK may be reversed so that DIN1/2/3/4 are sampled on the falling edge of BCLK and DOUT changes on the rising edge of BCLK.

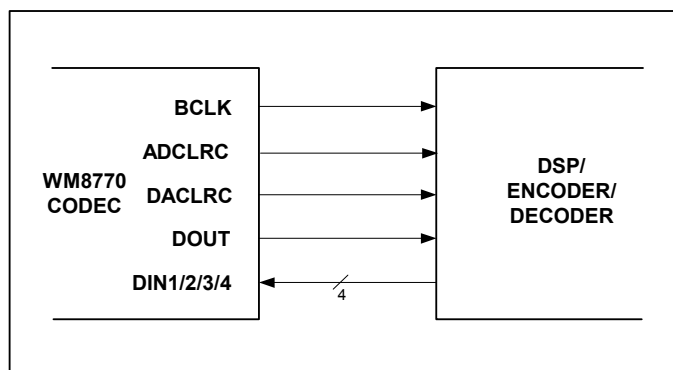


Figure 13 Master Mode

AUDIO INTERFACE FORMATS

Audio data is applied to the internal DAC filters, or output from the ADC filters, via the Digital Audio Interface. 3 popular interface formats are supported:

- Left Justified mode
- Right Justified mode
- I²S mode

All 3 formats send the MSB first and support word lengths of 16, 20, 24 and 32 bits, with the exception of 32 bit right justified mode, which is not supported.

In left justified, right justified and I²S modes, the digital audio interface receives DAC data on the DIN1/2/3/4 inputs and outputs ADC data on DOUT. Audio Data for each stereo channel is time multiplexed with ADCLRC/DACLRC indicating whether the left or right channel is present. ADCLRC/DACLRC is also used as a timing reference to indicate the beginning or end of the data words.

In left justified, right justified and I²S modes, the minimum number of BCLKs per DACLRC/ADCLRC period is 2 times the selected word length. ADCLRC/DACLRC must be high for a minimum of word length BCLKs and low for a minimum of word length BCLKs. Any mark to space ratio on ADCLRC/DACLRC is acceptable provided the above requirements are met.

LEFT JUSTIFIED MODE

In left justified mode, the MSB of DIN1/2/3/4 is sampled by the WM8770 on the first rising edge of BCLK following a DACLRC transition. The MSB of the ADC data is output on DOUT and changes on the same falling edge of BCLK as ADCLRC and may be sampled on the rising edge of BCLK. ADCLRC and DACLRC are high during the left samples and low during the right samples (Figure 14).

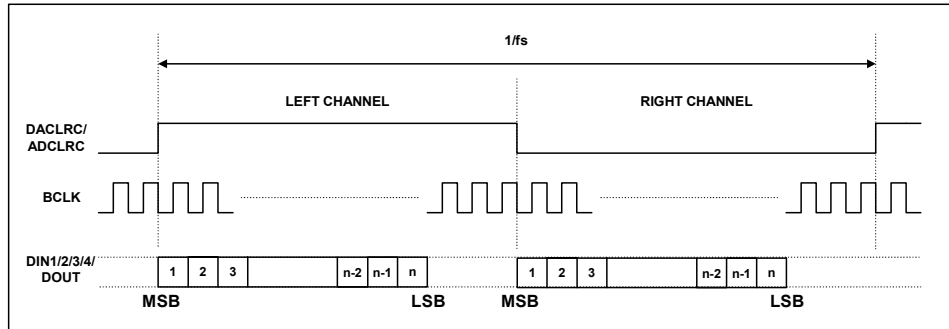


Figure 14 Left Justified Mode Timing Diagram

RIGHT JUSTIFIED MODE

In right justified mode, the LSB of DIN1/2/3/4 is sampled by the WM8770 on the rising edge of BCLK preceding a DACLRC transition. The LSB of the ADC data is output on DOUT and changes on the falling edge of BCLK preceding a ADCLRC transition and may be sampled on the rising edge of BCLK. ADCLRC and DACLRC are high during the left samples and low during the right samples (Figure 15).

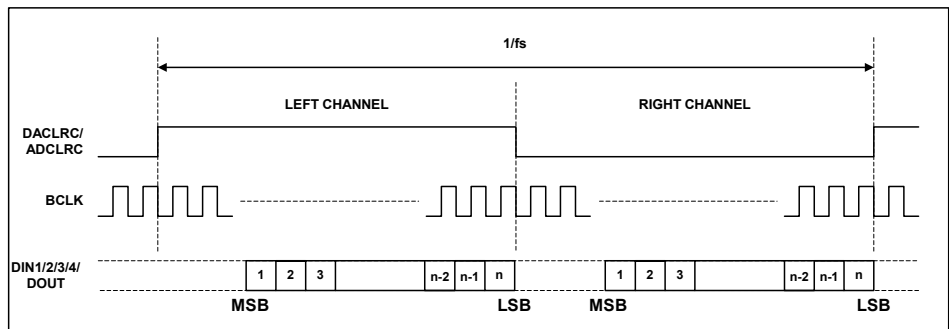


Figure 15 Right Justified Mode Timing Diagram

I²S MODE

In I²S mode, the MSB of DIN1/2/3/4 is sampled by the WM8770 on the second rising edge of BCLK following a DACLRC transition. The MSB of the ADC data is output on DOUT and changes on the first falling edge of BCLK following an ADCLRC transition and may be sampled on the rising edge of BCLK. ADCLRC and DACLRC are low during the left samples and high during the right samples.

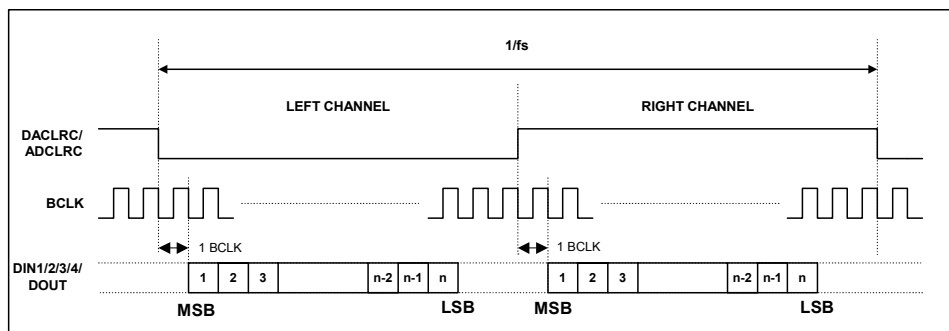


Figure 16 I²S Mode Timing Diagram

CONTROL INTERFACE OPERATION

The WM8770 is controlled using a 3-wire serial interface in either an SPI compatible configuration or a CCB (Computer Control Bus) configuration.

The interface configuration is determined by the state of the CE pin on the rising edge of the RESETB pin. If the CE pin is low on the rising edge of RESETB, CCB configuration is selected. If CE is high on the rising edge of RESETB, SPI compatible configuration is selected.

The control interface is 5V tolerant, meaning that the control interface input signals CE, CL and DI may have an input high level of 5V while DVDD is 3V. Input thresholds are determined by DVDD. RESETB is also 5V tolerant.

3-WIRE (SPI COMPATIBLE) SERIAL CONTROL MODE

DI is used for the program data, CL is used to clock in the program data and CE is used to latch the program data. DI is sampled on the rising edge of CL. The 3-wire interface protocol is shown in Figure 17.

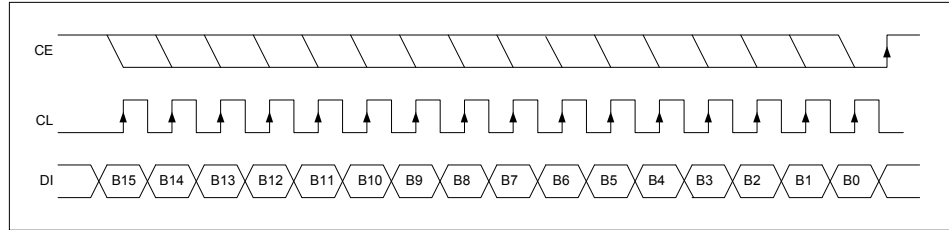


Figure 17 3-wire SPI compatible Interface

1. B[15:9] are Control Address Bits
2. B[8:0] are Control Data Bits
3. CE is edge sensitive – the data is latched on the rising edge of CE.

CCB INTERFACE MODE

CCB Interface mode allows multiple devices to be controlled off a common 3-wire bus. Each device on the 3-wire bus has its own identifying address. The WM8770 supports write only CCB interface mode.

DI is used for the device address and program data and CL is used to clock in the address and data on DI. DI is sampled on the rising edge of CL. CE indicates whether the data on DI is the device address or program data. The eight clocks before a rising edge on CE will clock in the device address. The device address is latched on the rising edge of CE. The sixteen clocks before a falling edge on CE will clock in the program data. The program data is latched on the falling edge of CE.

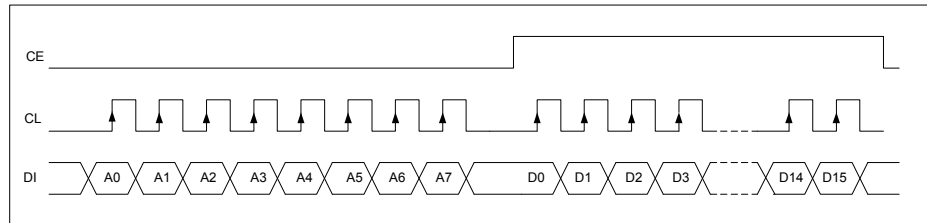


Figure 18 CCB Interface – CL stopped low

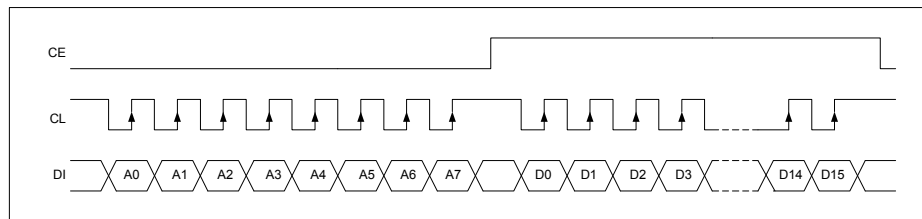


Figure 19 CCB Interface – CL stopped high

1. A[7:0] are Device Address bits
2. D[15:9] are Control Address bits
3. D[8:0] are Control Data bits

The address A[7:0] for WM8770 is 8Ch (10001100).

CONTROL INTERFACE REGISTERS

DIGITAL AUDIO INTERFACE CONTROL REGISTER

Interface format is selected via the FMT[1:0] register bits:

| REGISTER ADDRESS | BIT | LABEL | DEFAULT | DESCRIPTION |
|----------------------------|-----|----------|---------|--|
| 10110 Interface Control | 1:0 | FMT[1:0] | 10 | Interface format Select 00 : right justified mode 01: left justified mode 10: I ² S mode 11: Reserved |

In left justified, right justified or I²S modes, the LRP register bit controls the polarity of ADCLRC/DACLRC. If this bit is set high, the expected polarity of ADCLRC/DACLRC will be the opposite of that shown Figure 14, Figure 15 and Figure 16. Note that if this feature is used as a means of swapping the left and right channels, a 1 sample phase difference will be introduced.

| REGISTER ADDRESS | BIT | LABEL | DEFAULT | DESCRIPTION |
|----------------------------|-----|-------|---------|--|
| 10110 Interface Control | 2 | LRP | 0 | ADCLRC/DACLRC Polarity (normal) 0 : normal ADCLRC/DACLRC polarity 1: inverted ADCLRC/DACLRC polarity |

By default, ADCLRC/DACLRC and DIN1/2/3/4 are sampled on the rising edge of BCLK and should ideally change on the falling edge. Data sources that change ADCLRC/DACLRC and DIN1/2/3/4 on the rising edge of BCLK can be supported by setting the BCP register bit. Setting BCP to 1 inverts the polarity of BCLK to the inverse of that shown in Figure 14, Figure 15, Figure 16, , , and .

| REGISTER ADDRESS | BIT | LABEL | DEFAULT | DESCRIPTION |
|----------------------------|-----|-------|---------|--|
| 10110 Interface Control | 3 | BCP | 0 | BCLK Polarity 0 : normal BCLK polarity 1: inverted BCLK polarity |

The IWL[1:0] bits are used to control the input word length.

| REGISTER ADDRESS | BIT | LABEL | DEFAULT | DESCRIPTION |
|----------------------------|-----|---------|---------|--|
| 10110 Interface Control | 5:4 | WL[1:0] | 10 | Input Word Length 00 : 16 bit data 01: 20 bit data 10: 24 bit data 11: 32 bit data |

Note: If 32-bit mode is selected in right justified mode, the WM8770 defaults to 24 bits.

In all modes, the data is signed 2's complement. The digital filters always input 24-bit data. If the DAC is programmed to receive 16 or 20 bit data, the WM8770 pads the unused LSBs with zeros. If the DAC is programmed into 32 bit mode, the 8 LSBs are ignored.

Note: In 24 bit I²S mode, any width of 24 bits or less is supported provided that ADCLRC/DACLRC is high for a minimum of 24 BCLKs and low for a minimum of 24 BCLKs.

A number of options are available to control how data from the Digital Audio Interface is applied to the DAC channels.

Control bit MS selects between audio interface Master and Slave Modes. In Master mode ADCLRC, DACLRC and BCLK are outputs and are generated by the WM8770. In Slave mode ADCLRC, DACLRC and BCLK are inputs to WM8770.

| REGISTER ADDRESS | BIT | LABEL | DEFAULT | DESCRIPTION |
|----------------------------|-----|-------|---------|---|
| 10111 Interface Control | 8 | MS | 0 | Audio Interface Master/Slave Mode select: 0 : Slave Mode 1: Master Mode |

MASTER MODE ADCLRC/DACLRC FREQUENCY SELECT

In Master mode the WM8770 generates ADCLRC, DACLRC and BCLK. These clocks are derived from master clock and the ratio of MCLK to ADCLRC and DACLRC are set by ADCRATE and DACRATE.

| REGISTER ADDRESS | BIT | LABEL | DEFAULT | DESCRIPTION |
|---|-----|--------------|---------|---|
| 10111 ADCLRC and DACLRC Frequency Select | 2:0 | ADCRATE[2:0] | 010 | Master Mode MCLK:ADCLRC ratio select: 010: 256fs 011: 384fs 100: 512fs 101: 768fs |
| | 6:4 | DACRATE[2:0] | 010 | Master Mode MCLK:DACLRC ratio select: 000: 128fs 001: 192fs 010: 256fs 011: 384fs 100: 512fs 101: 768fs |

ADC OVERSAMPLING RATE SELECT

For ADC operation at 96kHz it is recommended that the user set the ADCOSR bit. This changes the ADC signal processing oversample rate to 64fs.

| REGISTER ADDRESS | BIT | LABEL | DEFAULT | DESCRIPTION |
|--------------------------------|-----|--------|---------|---|
| 10111 ADC Oversampling Rate | 3 | ADCOSR | 0 | ADC oversampling rate select 0: 128x oversampling 1: 64x oversampling |

MUTE MODES

The WM8770 has individual mutes for each of the four DAC channels. Setting MUTE for a channel will apply a 'soft' mute to the input of the digital filters of the channel muted. DMUTE[0] mutes DAC channel 1, DMUTE[1] mutes DAC channel 2, DMUTE[2] mutes DAC channel 3 & DMUTE[3] mutes DAC channel 4.

| REGISTER ADDRESS | BIT | LABEL | DEFAULT | DESCRIPTION |
|-----------------------|-----|------------|---------|--|
| 10100 Mute Control | 3:0 | DMUTE[3:0] | 0 | DAC Soft Mute select 0 : Normal Operation 1: Soft mute enabled |

Setting the MUTEALL register bit will apply a 'soft' mute to the input of all the DAC digital filters:

| REGISTER ADDRESS | BIT | LABEL | DEFAULT | DESCRIPTION |
|-----------------------|-----|---------|---------|---|
| 10100 Mute Control | 4 | MUTEALL | 0 | Soft Mute select 0 : Normal Operation 1: Soft mute all channels |

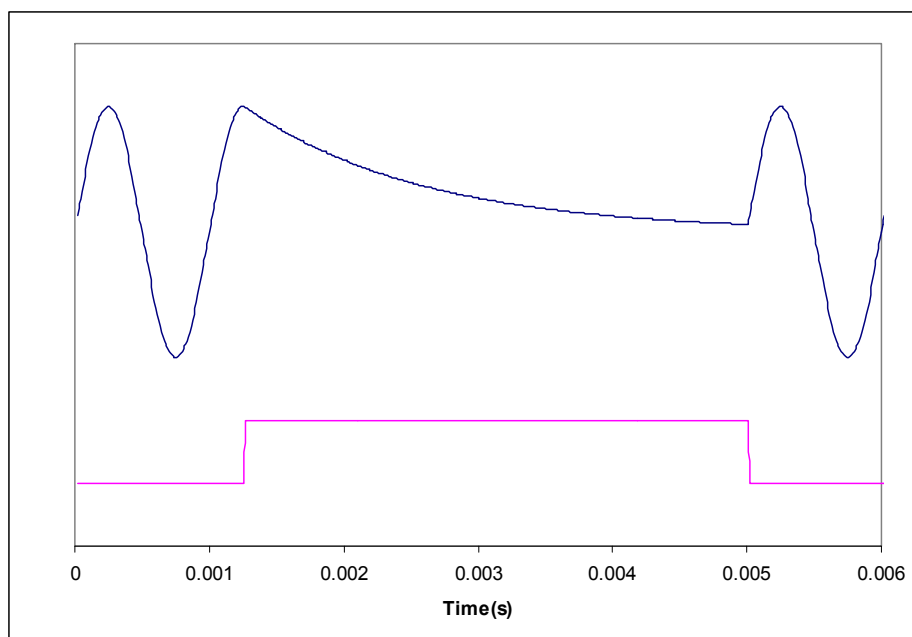


Figure 20 Application and Release of Soft Mute

Figure 20 shows the application and release of MUTE whilst a full amplitude sinusoid is being played at 48kHz sampling rate. When MUTE (lower trace) is asserted, the output (upper trace) begins to decay exponentially from the DC level of the last input sample. The output will decay towards V_{MID} with a time constant of approximately 64 input samples. If MUTE is applied for 1024 or more input samples the DAC will be muted if IZD is set. When MUTE is de-asserted, the output will restart immediately from the current input sample.

Note that all other means of muting the DAC channels: setting the PL[3:0] bits to 0, setting the PDWN bit or setting attenuation to 0 will cause much more abrupt muting of the output.

Each ADC channel also has an individual mute control bit, which mutes the input to the ADC. In addition both channels may be muted by setting ADCMUTE.

| REGISTER ADDRESS | BIT | LABEL | DEFAULT | DESCRIPTION |
|-------------------------|-----|---------|---------|--|
| 11001 ADC Mute | 7 | ADCMUTE | 0 | ADC MUTE Left and Right 0 : Normal Operation 1 : mute ADC left and ADC right |
| 11001 ADC Mute Left | 5 | MUTE | 0 | ADC Mute select 0 : Normal Operation 1 : mute ADC left |
| 11010 ADC Mute Right | 5 | MUTE | 0 | ADC Mute select 0 : Normal Operation 1 : mute ADC right |

The Record outputs may be enabled by setting RECEN, where RECEN enables the REC1L and REC1R outputs.

| REGISTER ADDRESS | BIT | LABEL | DEFAULT | DESCRIPTION |
|-----------------------|-----|-------|---------|---|
| 10100 Mute Control | 5 | RECEN | 0 | REC Output Enable 0 : REC output muted 1 : REC output enabled |

DE-EMPHASIS MODE

A digital De-emphasis filter may be applied to each DAC channel. The De-emphasis filter for each stereo channel is enabled under the control of DEEMP[3:0]. DEEMP[0] enables the de-emphasis filter for channel 1, DEEMP[1] enables the de-emphasis filter for channel 2, DEEMP[2] enables the de-emphasis filter for channel 3 and DEEMP[3] enables the de-emphasis filter for channel 4.

| REGISTER ADDRESS | BIT | LABEL | DEFAULT | DESCRIPTION |
|-------------------------------------|-------|-------------|---------|---|
| 10101 DAC De-emphasis Control | [3:0] | DEEMPH[3:0] | 0000 | De-emphasis mode select: 0 : Normal Mode 1 : De-emphasis Mode |

Refer to Figure 30, Figure 31, Figure 32, Figure 33, Figure 34 and Figure 35 for details of the De-Emphasis modes at different sample rates.

POWERDOWN MODE AND ADC/DAC DISABLE

Setting the PDWN register bit immediately powers down the WM8770, including the references, overriding all other powerdown control bits. All trace of the previous input samples are removed, but all control register settings are preserved. When PDWN is cleared the digital filters will be reinitialised. It is recommended that the 8-channel input mux and buffer, ADC, DAC and output mixers and EVRs are powered down before setting PDWN.

| REGISTER ADDRESS | BIT | LABEL | DEFAULT | DESCRIPTION |
|----------------------------|-----|-------|---------|---|
| 11000 Powerdown Control | 0 | PDWN | 0 | Power Down Mode Select: 0 : Normal Mode 1 : Power Down Mode |

The ADC and DACs may also be powered down by setting the ADCD and DACD disable bits. Setting ADCD will disable the ADC and select a low power mode. The ADC digital filters will be reset and will reinitialise when ADCD is reset. Each Stereo DAC channel has a separate disable DACD[3:0]. Setting DACD for a channel will disable the DACs and select a low power mode. Resetting DACD will reinitialise the digital filters. DACD[0] disables DAC1, DACD[1] disables DAC2, DACD[2] disables DAC3 and DACD[3] disables DAC4.

| REGISTER ADDRESS | BIT | LABEL | DEFAULT | DESCRIPTION |
|----------------------------|-----|-----------|---------|--|
| 11000 Powerdown Control | 1 | ADCD | 1 | ADC Disable: 0 : Normal Mode 1 : Power Down Mode |
| | 5:2 | DACD[3:0] | 1111 | DAC Disable: 0 : Normal Mode 1 : Power Down Mode |

ATTENUATOR CONTROL MODE

Setting the ATC register bit causes the left channel attenuation settings to be applied to both left and right channel DACs from the next audio input sample. No update to the attenuation registers is required for ATC to take effect.

| REGISTER ADDRESS | BIT | LABEL | DEFAULT | DESCRIPTION |
|------------------------------|-----|-------|---------|--|
| 10011 DAC Channel Control | 1 | ATC | 0 | Attenuator Control Mode: 0 : Right channels use Right attenuations 1: Right Channels use Left Attenuations |

INFINITE ZERO DETECT ENABLE

Setting the IZD register bit will enable the internal infinite zero detect function:

| REGISTER ADDRESS | BIT | LABEL | DEFAULT | DESCRIPTION |
|------------------------------|-----|-------|---------|---|
| 10011 DAC Channel Control | 2 | IZD | 0 | Infinite zero Mute Enable 0 : disable infinite zero mute 1: enable infinite zero Mute |

With IZD enabled, applying 1024 consecutive zero input samples to all 8 DAC channels will cause all DAC outputs to be muted. Mute will be removed as soon as any channel receives a non-zero input.

ZERO FLAG OUTPUT

The DZFM control bits allow the selection of the eight DAC channel zero flag bits for output on the ZFLAG1 and ZFLAG2 pins. A '1' on ZFLAG1 or ZFLAG2 indicates 1024 consecutive zero input samples to the channels selected.

| REGISTER ADDRESS | BIT | LABEL | DEFAULT | DESCRIPTION |
|---------------------------|-----|-----------|---------|--|
| 10101 Zero Flag Select | 7:4 | DZFM[3:0] | 0000 | Selects the output for ZFLAG1 and ZFLAG2 pins (see Table 9). A '1' indicates 1024 consecutive zero input samples on the channels selected. |

DAC OUTPUT CONTROL

The DAC output control word determines how the left and right inputs to the audio Interface are applied to the left and right DACs:

| REGISTER ADDRESS | BIT | LABEL | DEFAULT | DESCRIPTION | | |
|----------------------|---------|---------|---------|-------------|-------------|--------------|
| | | | | PL[3:0] | | |
| 10011 DAC Control | 7:4 | PL[3:0] | 1001 | PL[3:0] | Left Output | Right Output |
| | | | | 0000 | Mute | Mute |
| | | | | 0001 | Left | Mute |
| | | | | 0010 | Right | Mute |
| | | | | 0011 | (L+R)/2 | Mute |
| | | | | 0100 | Mute | Left |
| | | | | 0101 | Left | Left |
| | | | | 0110 | Right | Left |
| | | | | 0111 | (L+R)/2 | Left |
| | | | | 1000 | Mute | Right |
| | | | | 1001 | Left | Right |
| | | | | 1010 | Right | Right |
| | | | | 1011 | (L+R)/2 | Right |
| | | | | 1100 | Mute | (L+R)/2 |
| | | | | 1101 | Left | (L+R)/2 |
| | | | | 1110 | Right | (L+R)/2 |
| 1111 | (L+R)/2 | (L+R)/2 | | | | |

DAC ANALOGUE VOLUME CONTROL

The DAC volume may be adjusted independently in both the analogue and digital domain using separate volume control registers.

| REGISTER ADDRESS | BIT | LABEL | DEFAULT | DESCRIPTION |
|---|-----|----------|------------------|---|
| 00000 Analogue Attenuation DACL1 | 6:0 | L1A[6:0] | 1111111 (0dB) | Attenuation data for Left channel DACL1 in 1dB steps. See Table 11 |
| | 7 | L1ZCEN | 0 | DACL1 zero cross detect enable 0: zero cross disabled 1: zero cross enabled |
| | 8 | UPDATE | Not latched | Controls simultaneous update of all Attenuation Latches 0: Store L1A in intermediate latch (no change to output) 1: Store L1A and update attenuation on all channels. |
| 00001 Analogue Attenuation DACR1 | 6:0 | R1A[6:0] | 1111111 (0dB) | Attenuation data for Right channel DACR1 in 1dB steps. See Table 11 |
| | 7 | R1ZCEN | 0 | DACR1 zero cross detect enable 0: zero cross disabled 1: zero cross enabled |
| | 8 | UPDATE | Not latched | Controls simultaneous update of all Attenuation Latches 0: Store R1A in intermediate latch (no change to output) 1: Store R1A and update attenuation on all channels. |
| 00010 Analogue Attenuation DACL2 | 6:0 | L2A[6:0] | 1111111 (0dB) | Attenuation data for Left channel DACL2 in 1dB steps. See Table 11 |
| | 7 | L2ZCEN | 0 | DACL2 zero cross detect enable 0: zero cross disabled 1: zero cross enabled |
| | 8 | UPDATE | Not latched | Controls simultaneous update of all Attenuation Latches 0: Store L2A in intermediate latch (no change to output) 1: Store L2A and update attenuation on all channels. |
| 00011 Analogue Attenuation DACR2 | 6:0 | R2A[6:0] | 1111111 (0dB) | Attenuation data for Right channel DACR2 in 1dB steps. See Table 11 |
| | 7 | R2ZCEN | 0 | DACR2 zero cross detect enable 0: zero cross disabled 1: zero cross enabled |
| | 8 | UPDATE | Not latched | Controls simultaneous update of all Attenuation Latches 0: Store R2A in intermediate latch (no change to output) 1: Store R2A and update attenuation on all channels. |
| 00100 Analogue Attenuation DACL3 | 6:0 | L3A[6:0] | 1111111 (0dB) | Attenuation data for Left channel DACL3 in 1dB steps. See Table 11 |
| | 7 | L3ZCEN | 0 | DACL3 zero cross detect enable 0: zero cross disabled 1: zero cross enabled |
| | 8 | UPDATE | Not latched | Controls simultaneous update of all Attenuation Latches 0: Store L3A in intermediate latch (no change to output) 1: Store L3A and update attenuation on all channels. |
| 00101 Analogue Attenuation DACR3 | 6:0 | R3A[6:0] | 1111111 (0dB) | Attenuation data for Right channel DACL3 in 1dB steps. See Table 11 |
| | 7 | R3ZCEN | 0 | DACR3 zero cross detect enable 0: zero cross disabled 1: zero cross enabled |
| | 8 | UPDATE | Not latched | Controls simultaneous update of all Attenuation Latches 0: Store R3A in intermediate latch (no change to output) 1: Store R3A and update attenuation on all channels. |

| REGISTER ADDRESS | BIT | LABEL | DEFAULT | DESCRIPTION |
|--|-----|------------|------------------|---|
| 00110 Analogue Attenuation DACL4 | 6:0 | L4A[6:0] | 1111111 (0dB) | Attenuation data for Left channel DACL4 in 1dB steps. See Table 11 |
| | 7 | L4ZCEN | 0 | DACL4 zero cross detect enable 0: zero cross disabled 1: zero cross enabled |
| | 8 | UPDATE | Not latched | Controls simultaneous update of all Attenuation Latches 0: Store L4A in intermediate latch (no change to output) 1: Store L4A and update attenuation on all channels. |
| 00111 Analogue Attenuation DACR4 | 6:0 | R4A[6:0] | 1111111 (0dB) | Attenuation data for Right channel DACR4 in 1dB steps. See Table 11 |
| | 7 | R4ZCEN | 0 | DACR4 zero cross detect enable 0: zero cross disabled 1: zero cross enabled |
| | 8 | UPDATE | Not latched | Controls simultaneous update of all Attenuation Latches 0: Store R4A in intermediate latch (no change to output) 1: Store R4A and update attenuation on all channels. |
| 01000 Master Analogue Attenuation (all channels) | 6:0 | MASTA[6:0] | 1111111 (0dB) | Attenuation data for all channel DAC in 1dB steps. See Table 11 |
| | 7 | MZCEN | 0 | Master zero cross detect enable 0: zero cross disabled 1: zero cross enabled |
| | 8 | UPDATE | Not latched | Controls simultaneous update of all Attenuation Latches 0: Store gain in intermediate latch (no change to output) 1: Store gain and update attenuation on all channels. |

Table 10 Attenuation Register Map

Each DAC channel volume can be controlled digitally in an analogue volume stage after the DAC. Attenuation is 0dB by default but can be set between 0 and -100dB in 1dB steps using the 7 Attenuation control words. All attenuation registers are double latched allowing new values to be pre-latched to several channels before being updated synchronously. Setting the UPDATE bit on any attenuation write will cause all pre-latched values to be immediately applied to the DAC channels. A master attenuation register is also included, allowing all volume levels to be set to the same value in a single write.

Note: The UPDATE bit is not latched. If UPDATE=0, the Attenuation value will be written to the pre-latch but not applied to the relevant DAC. If UPDATE=1, all pre-latched values will be applied from the next input sample. Writing to MASTA[6:0] overwrites any values previously sent to L1A[6:0], L2A[6:0], L3A[6:0], L4A[6:0], R1A[6:0], R2A[6:0], R3A[6:0], R4A[6:0].

In addition a zero cross detect circuit is provided for each DAC volume under the control of bit 7 (xZCEN) in each DAC attenuation register. When ZCEN is set the attenuation values are only updated when the input signal to the gain stage is close to the analogue ground level. This minimises audible clicks and 'zipper' noise as the gain values change. A timeout clock is also provided which will generate an update after a minimum of 131072 master clocks (= ~10.5ms with a master clock of 12.288MHz). The timeout clock may be disabled by setting TOD.

| REGISTER ADDRESS | BIT | LABEL | DEFAULT | DESCRIPTION |
|--------------------------------|-----|-------|---------|---|
| 10011 Timeout Clock Disable | 3 | TOD | 0 | DAC Analogue Zero cross detect timeout disable 0: Timeout enabled 1: Timeout disabled |

DAC ANALOGUE OUTPUT ATTENUATION

Register bits L1A and R1A control the left and right channel attenuation of DAC 1. Register bits L2A and R2A control the left and right channel attenuation of DAC 2. Register bits L3A and R3A control the left and right channel attenuation of DAC 3. Register bits L4A and R4A control the left and right channel attenuation of DAC 4. Register bits MASTA can be used to control attenuation of all channels.

Table 8 shows how the attenuation levels are selected from the 7-bit words.

| L/RAX[6:0] | ATTENUATION LEVEL |
|------------|-------------------|
| 00(hex) | -∞dB (mute) |
| : | : |
| 1A(hex) | -∞dB (mute) |
| 1B(hex) | -100dB |
| : | : |
| 7D(hex) | -2dB |
| 7E(hex) | -1dB |
| 7F(hex) | 0dB |

Table 11 Analogue Volume Control Attenuation Levels

DAC DIGITAL VOLUME CONTROL

The DAC volume may also be adjusted in the digital domain using independent digital attenuation control registers

| REGISTER ADDRESS | BIT | LABEL | DEFAULT | DESCRIPTION |
|--|-----|-----------|-------------------|---|
| 01001 Digital Attenuation DACL1 | 7:0 | LDA1[7:0] | 11111111 (0dB) | Digital Attenuation data for Left channel DACL1 in 0.5dB steps. See Table 12 |
| | 8 | UPDATE | Not latched | Controls simultaneous update of all Attenuation Latches 0: Store LDA1 in intermediate latch (no change to output) 1: Store LDA1 and update attenuation on all channels |
| 01010 Digital Attenuation DACR1 | 7:0 | RDA1[6:0] | 11111111 (0dB) | Digital Attenuation data for Right channel DACR1 in 0.5dB steps. See Table 12 |
| | 8 | UPDATE | Not latched | Controls simultaneous update of all Attenuation Latches 0: Store RDA1 in intermediate latch (no change to output) 1: Store RDA1 and update attenuation on all channels. |
| 01011 Digital Attenuation DACL2 | 7:0 | LDA2[7:0] | 11111111 (0dB) | Digital Attenuation data for Left channel DACL2 in 0.5dB steps. See Table 12 |
| | 8 | UPDATE | Not latched | Controls simultaneous update of all Attenuation Latches 0: Store LDA2 in intermediate latch (no change to output) 1: Store LDA2 and update attenuation on all channels. |
| 01100 Digital Attenuation DACR2 | 7:0 | RDA2[7:0] | 11111111 (0dB) | Digital Attenuation data for Right channel DACR2 in 0.5dB steps. See Table 12 |
| | 8 | UPDATE | Not latched | Controls simultaneous update of all Attenuation Latches 0: Store RDA2 in intermediate latch (no change to output) 1: Store RDA2 and update attenuation on all channels. |
| 01101 Digital Attenuation DACL3 | 7:0 | LDA3[7:0] | 11111111 (0dB) | Digital Attenuation data for Left channel DACL3 in 0.5dB steps. See Table 12 |
| | 8 | UPDATE | Not latched | Controls simultaneous update of all Attenuation Latches 0: Store LDA3 in intermediate latch (no change to output) 1: Store LDA3 and update attenuation on all channels. |

| REGISTER ADDRESS | BIT | LABEL | DEFAULT | DESCRIPTION |
|---|-----|-------------|-------------------|---|
| 01110 Digital Attenuation DACR3 | 7:0 | RDA3[7:0] | 11111111 (0dB) | Digital Attenuation data for Right channel DACR3 in 0.5dB steps. See Table 12 |
| | 8 | UPDATE | Not latched | Controls simultaneous update of all Attenuation Latches 0: Store RDA3 in intermediate latch (no change to output) 1: Store RDA3 and update attenuation on all channels. |
| 01111 Digital Attenuation DACL4 | 7:0 | LDA4[7:0] | 11111111 (0dB) | Digital Attenuation data for Left channel DACL4 in 0.5dB steps. See Table 12 |
| | 8 | UPDATE | Not latched | Controls simultaneous update of all Attenuation Latches 0: Store LDA4 in intermediate latch (no change to output) 1: Store LDA4 and update attenuation on all channels. |
| 10000 Digital Attenuation DACR4 | 7:0 | RDA4[7:0] | 11111111 (0dB) | Digital Attenuation data for Right channel DACR4 in 0.5dB steps. See Table 12 |
| | 8 | UPDATE | Not latched | Controls simultaneous update of all Attenuation Latches 0: Store RDA4 in intermediate latch (no change to output) 1: Store RDA4 and update attenuation on all channels. |
| 10001 Master Digital Attenuation (all channels) | 7:0 | MASTDA[7:0] | 11111111 (0dB) | Digital Attenuation data for all DAC channels in 0.5dB steps. See Table 12 |
| | 8 | UPDATE | Not latched | Controls simultaneous update of all Attenuation Latches 0: Store gain in intermediate latch (no change to output) 1: Store gain and update attenuation on all channels. |

| L/RDAX[7:0] | ATTENUATION LEVEL |
|-------------|-------------------|
| 00(hex) | -∞ dB (mute) |
| 01(hex) | -127.5dB |
| : | : |
| : | : |
| : | : |
| FE(hex) | -0.5dB |
| FF(hex) | 0dB |

Table 12 Digital Volume Control Attenuation Levels

The Digital volume control also incorporates a zero cross detect circuit which detects a transition through the zero point before updating the digital volume control with the new volume. This is enabled by control bit DZCEN.

| REGISTER ADDRESS | BIT | LABEL | DEFAULT | DESCRIPTION |
|----------------------|-----|-------|---------|--|
| 10011 DAC Control | 0 | DZCEN | 0 | DAC Digital Volume Zero Cross Enable: 0: Zero cross detect disabled 1: Zero cross detect enabled |

DAC OUTPUT PHASE

The DAC Phase control word determines whether the output of each DAC is non-inverted or inverted

| REGISTER ADDRESS | BIT | LABEL | DEFAULT | DESCRIPTION | | |
|--------------------|-------|------------|----------|-------------|-------|------------|
| 10010 DAC Phase | 7:0 | PH[7:0] | 00000000 | Bit | DAC | Phase |
| | | | | 0 | DAC1L | 1 = invert |
| | | | | 1 | DAC1R | 1 = invert |
| | | | | 2 | DAC2L | 1 = invert |
| | | | | 3 | DAC2R | 1 = invert |
| | | | | 4 | DAC3L | 1 = invert |
| | | | | 5 | DAC3R | 1 = invert |
| | | | | 6 | DAC4L | 1 = invert |
| 7 | DAC4R | 1 = invert | | | | |

ADC GAIN CONTROL

Control bits LAG[4:0] and RAG[4:0] control the ADC input gain, allowing the user to attenuate the ADC input signal to match the full-scale range of the ADC. The gain is independently adjustable on left and right inputs. Left and right inputs may also be independently muted. The LRBOTH control bit allows the user to write the same attenuation value to both left and right volume control registers. The ADC volume and mute also applies to the bypass signal path.

| REGISTER ADDRESS | BIT | LABEL | DEFAULT | DESCRIPTION |
|------------------------------|-----|----------|----------------|--|
| 11001 Attenuation ADCL | 4:0 | LAG[4:0] | 01100 (0dB) | Attenuation data for Left channel ADC gain in 1dB steps. See Table 13 |
| | 5 | MUTE | 0 | Mute for Left channel ADC: 0: Mute off 1: Mute on |
| | 6 | LRBOTH | 0 | Setting LRBOTH will write the same gain value to LAG[4:0] and RAG[4:0] |
| 11010 Attenuation ADCR | 4:0 | RAG[4:0] | 01100 (0dB) | Attenuation data for right channel ADC gain in 1dB steps. See Table 13 |
| | 5 | MUTE | 0 | Mute for Right channel ADC: 0: Mute off 1: Mute on |
| | 6 | LRBOTH | 0 | Setting LRBOTH will write the same gain value to RAG[4:0] and LAG[4:0] |

ADC INPUT GAIN

Registers LAG and RAG control the left and right channel gain into the stereo ADC in 1dB steps from +19dB to -12dB Table 8 shows how the attenuation levels are selected from the 5-bit words.

| L/RAG[6:0] | ATTENUATION LEVEL |
|------------|-------------------|
| 0 | -12dB |
| : | : |
| 01100 | 0dB |
| : | : |
| 11111 | +19dB |

Table 13 ADC Gain Control

ADC HIGHPASS FILTER DISABLE

The ADC digital filters contain a digital highpass filter. This defaults to enabled and can be disabled using software control bit ADCHPD.

| REGISTER ADDRESS | BIT | LABEL | DEFAULT | DESCRIPTION |
|----------------------|-----|--------|---------|---|
| 10110 ADC control | 8 | ADCHPD | 0 | ADC Highpass filter disable: 0: Highpass filter enabled 1: Highpass filter disabled |

ADC INPUT MUX AND POWERDOWN CONTROL

| REGISTER ADDRESS | BIT | LABEL | DEFAULT | DESCRIPTION |
|--|-----|----------|---------|---|
| 11011 ADC Mux and Powerdown Control | 2:0 | LMX[2:0] | 000 | ADC left channel input mux control bits (see Table 14) |
| | 6:4 | RMX[2:0] | 000 | ADC right channel input mux control bits (see Table 14) |
| | 8 | AINPD | 1 | Input mux and buffer powerdown 0: Input mux and buffer enabled 1: Input mux and buffer powered down |

Register bits LMX and RMX control the left and right channel inputs into the stereo ADC. The default is AIN1. However if the analogue input buffer is powered down, by setting AINPD, then all 8-channel mux inputs are switched to buffered VMIDADC.

| LMX[2:0] | LEFT ADC INPUT | RMX[2:0] | RIGHT ADC INPUT |
|----------|----------------|----------|-----------------|
| 000 | AIN1L | 000 | AIN1R |
| 001 | AIN2L | 001 | AIN2R |
| 010 | AIN3L | 010 | AIN3R |
| 011 | AIN4L | 011 | AIN4R |
| 100 | AIN5L | 100 | AIN5R |
| 101 | AIN6L | 101 | AIN6R |
| 110 | AIN7L | 110 | AIN7R |
| 111 | AIN8L | 111 | AIN8R |

Table 14 ADC Input Mux Control

OUTPUT SELECT AND ENABLE CONTROL

Register bits MX1 to MX4 control the output select. The output select block consists of a summing stage and an input select switch for each input allowing each signal to be output individually or summed with other signals and output on each analogue output. The default for all outputs is DAC playback only. VOUT1/2/3 may be selected to output DAC playback, AUX, analogue bypass or a sum of these using the output select controls MX1/2/3[2:0]. VOUT4 may be selected to output DAC playback, analogue bypass or a sum of these signals using MX4[1:0]. It is recommended that bypass is not selected for output on more than two stereo channels simultaneously to avoid overloading the input buffer, resulting in a decrease in performance.

The output mixers and EVRs can be powered down under control of OUTPD[3:0]. Each stereo channel may be powered down separately. Setting OUTPD[3:0] will power off the mixer and EVR and switch the analogue outputs VOUTL/R to VMIDDAC to maintain a dc level on the output.

When setting OUTPD MX1/2/3/4 should be set to deselect all signals.

| REGISTER ADDRESS | BIT | LABEL | DEFAULT | DESCRIPTION |
|--|-----|------------|-----------------------|--|
| 11100 Output Mux and Powerdown Control | 2:0 | MX1[2:0] | 001 (DAC playback) | VOUT1 Output select (Figure 21) |
| | 5:3 | MX2[2:0] | 001 (DAC playback) | VOUT2 Output select (see Figure 21) |
| | 8:7 | OUTPD[1:0] | 11 | Mixer and EVR Powerdown select 0: mixer and EVR enabled 1: mixer and EVR powered down |
| 11101 Output Mux and Powerdown Control | 2:0 | MX3[2:0] | 001 (DAC playback) | VOUT3 Output select (see Figure 21) |
| | 4:3 | MX4[1:0] | 01 (DAC playback) | VOUT4 Output select (see Figure 22) |
| | 8:7 | OUTPD[3:2] | 11 | Mixer and EVR Powerdown select 0: mixer and EVR enabled 1: mixer and EVR powered down |

MX1/2/3[2:0] selects the output for VOUT1/2/3.

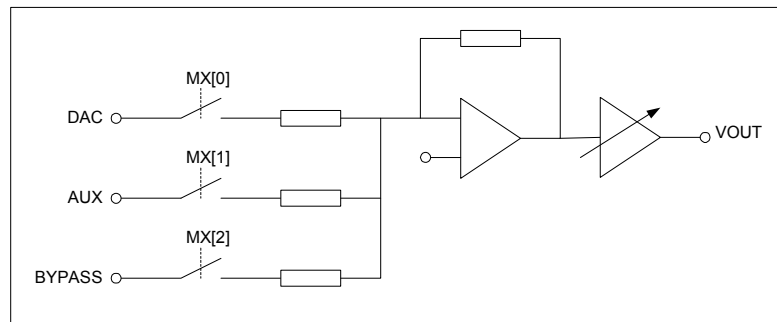


Figure 21 MX1/2/3[2:0] Output Select

MX4[1:0] selects the output for VOUT4L/R.

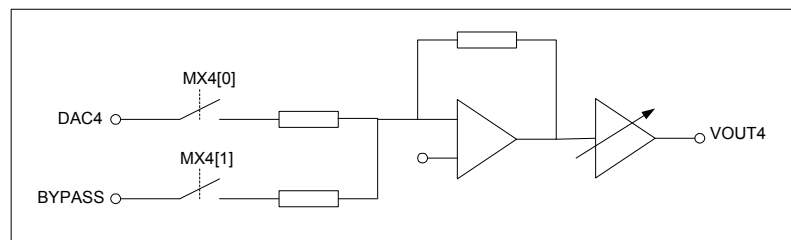


Figure 22 MX4[1:0] Output Select

SOFTWARE REGISTER RESET

Writing to register 11111 will cause a register reset, resetting all register bits to their default values.

REGISTER MAP

The complete register map is shown below. The detailed description can be found in the relevant text of the device description. The WM8770 can be configured using the Control Interface. All unused bits should be set to '0'.

| REGISTER | B15 | B14 | B13 | B12 | B11 | B10 | B9 | B8 | B7 | B6 | B5 | B4 | B3 | B2 | B1 | B0 | DEFAULT |
|----------|---------|-----|-----|-----|-----|-----|----|------------|-------------|--------------|----------|------------|--------------|-----------|-----------|-----------|-----------|
| R0(00h) | 0 | 0 | 0 | 0 | 0 | 0 | 0 | UPDATE | L1ZCEN | L1A[6:0] | | | | | | X01111111 | |
| R1(01h) | 0 | 0 | 0 | 0 | 0 | 0 | 1 | UPDATE | R1ZCEN | R1A[6:0] | | | | | | X01111111 | |
| R2(02h) | 0 | 0 | 0 | 0 | 0 | 1 | 0 | UPDATE | L2ZCEN | L2A[6:0] | | | | | | X01111111 | |
| R3(03h) | 0 | 0 | 0 | 0 | 0 | 1 | 1 | UPDATE | R2ZCEN | R2A[6:0] | | | | | | X01111111 | |
| R4(04h) | 0 | 0 | 0 | 0 | 1 | 0 | 0 | UPDATE | L3ZCEN | L3A[6:0] | | | | | | X01111111 | |
| R5(05h) | 0 | 0 | 0 | 0 | 1 | 0 | 1 | UPDATE | R3ZCEN | R3A[6:0] | | | | | | X01111111 | |
| R6(06h) | 0 | 0 | 0 | 0 | 1 | 1 | 0 | UPDATE | L4ZCEN | L4A[6:0] | | | | | | X01111111 | |
| R7(07h) | 0 | 0 | 0 | 0 | 1 | 1 | 1 | UPDATE | R4ZCEN | R4A[6:0] | | | | | | X01111111 | |
| R8(08h) | 0 | 0 | 0 | 1 | 0 | 0 | 0 | UPDATE | MZCEN | MASTA[6:0] | | | | | | X01111111 | |
| R9(09h) | 0 | 0 | 0 | 1 | 0 | 0 | 1 | UPDATE | LDA1[7:0] | | | | | | X11111111 | | |
| R10(0Ah) | 0 | 0 | 0 | 1 | 0 | 1 | 0 | UPDATE | RDA1[7:0] | | | | | | X11111111 | | |
| R11(0Bh) | 0 | 0 | 0 | 1 | 0 | 1 | 1 | UPDATE | LDA2[7:0] | | | | | | X11111111 | | |
| R12(0Ch) | 0 | 0 | 0 | 1 | 1 | 0 | 0 | UPDATE | RDA2[7:0] | | | | | | X11111111 | | |
| R13(0Dh) | 0 | 0 | 0 | 1 | 1 | 0 | 1 | UPDATE | LDA3[7:0] | | | | | | X11111111 | | |
| R14(0Eh) | 0 | 0 | 0 | 1 | 1 | 1 | 0 | UPDATE | RDA3[7:0] | | | | | | X11111111 | | |
| R15(0Fh) | 0 | 0 | 0 | 1 | 1 | 1 | 1 | UPDATE | LDA4[7:0] | | | | | | X11111111 | | |
| R16(10h) | 0 | 0 | 1 | 0 | 0 | 0 | 0 | UPDATE | RDA4[7:0] | | | | | | X11111111 | | |
| R17(11h) | 0 | 0 | 1 | 0 | 0 | 0 | 1 | UPDATE | MASTDA[7:0] | | | | | | X11111111 | | |
| R18(12h) | 0 | 0 | 1 | 0 | 0 | 1 | 0 | 0 | PHASE[7:0] | | | | | | 00000000 | | |
| R19(13h) | 0 | 0 | 1 | 0 | 0 | 1 | 1 | 0 | PL | | | TOD | IZD | ATC | DZCEN | 010010000 | |
| R20(14h) | 0 | 0 | 1 | 0 | 1 | 0 | 0 | 0 | 0 | 0 | RECN | MUTEALL | DMUTE[3:0] | | | 00000000 | |
| R21(15h) | 0 | 0 | 1 | 0 | 1 | 0 | 1 | 0 | DZFM[3:0] | | | DEEMP[3:0] | | | 00000000 | | |
| R22(16h) | 0 | 0 | 1 | 0 | 1 | 1 | 0 | ADCHPD | 0 | 0 | WL[1:0] | | BCP | LRP | FMT[1:0] | | 000100010 |
| R23(17h) | 0 | 0 | 1 | 0 | 1 | 1 | 1 | MS | 0 | DACRATE[2:0] | | ADCOSR | ADCRATE[2:0] | | | 000100010 | |
| R24(18h) | 0 | 0 | 1 | 1 | 0 | 0 | 0 | 0 | 0 | DACD[3:0] | | | ADCD | PWDN | | 000111110 | |
| R25(19h) | 0 | 0 | 1 | 1 | 0 | 0 | 1 | 0 | ADCMUTE | LRBOTH | MUTE | | LAG[4:0] | | | 000001100 | |
| R26(1Ah) | 0 | 0 | 1 | 1 | 0 | 1 | 0 | 0 | 0 | LRBOTH | MUTE | | RAG[4:0] | | | 000001100 | |
| R27(1Bh) | 0 | 0 | 1 | 1 | 0 | 1 | 1 | AINPD | 0 | RMX[2:0] | | 0 | LMX[2:0] | | | 100000000 | |
| R28(1Ch) | 0 | 0 | 1 | 1 | 1 | 0 | 0 | OUTPD[1:0] | | 0 | MX2[2:0] | | MX1[2:0] | | | 110001001 | |
| R29(1Dh) | 0 | 0 | 1 | 1 | 1 | 0 | 1 | OUTPD[3:2] | | 0 | 0 | MX4[1:0] | | MX3[2:0] | | 110001001 | |
| R31(1Fh) | 0 | 0 | 1 | 1 | 1 | 1 | 1 | RESET | | | | | | not reset | | | |
| | ADDRESS | | | | | | | DATA | | | | | | | | | DEFAULT |

| REGISTER ADDRESS | BIT | LABEL | DEFAULT | DESCRIPTION |
|---|-----|----------|------------------|---|
| 00000 Analogue Attenuation DACL1 | 6:0 | L1A[6:0] | 1111111 (0dB) | Attenuation Data for Left Channel DACL1 in 1dB steps. See Table 11 |
| | 7 | L1ZCEN | 0 | DACL1 Zero Cross Detect Enable 0: zero cross disabled 1: zero cross enabled |
| | 8 | UPDATE | Not latched | Controls simultaneous update of all Attenuation Latches 0: Store DACL1 in intermediate latch (no change to output) 1: Store DACL1 and update attenuation on all channels. |
| 00001 Analogue Attenuation DACR1 | 6:0 | R1A[6:0] | 1111111 (0dB) | Attenuation Data for Left channel DACL1 in 1dB steps. See Table 11 |
| | 7 | R1ZCEN | 0 | DACR1 Zero Cross Detect Enable 0: zero cross disabled 1: zero cross enabled |
| | 8 | UPDATE | Not latched | Controls simultaneous update of all Attenuation Latches 0: Store DACR1 in intermediate latch (no change to output) 1: Store DACR1 and update attenuation on all channels. |
| 00010 Analogue Attenuation DACL2 | 6:0 | L2A[6:0] | 1111111 (0dB) | Attenuation Data for Left Channel DACL2 in 1dB Steps. See Table 11 |
| | 7 | L2ZCEN | 0 | DACL2 Zero Cross Detect Enable 0: zero cross disabled 1: zero cross enabled |
| | 8 | UPDATE | Not latched | Controls simultaneous update of all Attenuation Latches 0: Store DACL2 in intermediate latch (no change to output) 1: Store DACL2 and update attenuation on all channels. |
| 00011 Analogue Attenuation DACR2 | 6:0 | R2A[6:0] | 1111111 (0dB) | Attenuation Data for Right Channel DACR2 in 1dB steps. See Table 11 |
| | 7 | R2ZCEN | 0 | DACR2 Zero Cross Detect Enable 0: zero cross disabled 1: zero cross enabled |
| | 8 | UPDATE | Not latched | Controls simultaneous update of all Attenuation Latches 0: Store DACR2 in intermediate latch (no change to output) 1: Store DACR2 and update attenuation on all channels. |
| 00100 Analogue Attenuation DACL3 | 6:0 | L3A[6:0] | 1111111 (0dB) | Attenuation Data for Left channel DACL3 in 1dB steps. See Table 11 |
| | 7 | L3ZCEN | 0 | DACL2 Zero Cross Detect Enable 0: zero cross disabled 1: zero cross enabled |
| | 8 | UPDATE | Not latched | Controls simultaneous update of all Attenuation Latches 0: Store DACL3 in intermediate latch (no change to output) 1: Store DACL3 and update attenuation on all channels. |
| 00101 Analogue Attenuation DACR3 | 6:0 | R3A[6:0] | 1111111 (0dB) | Attenuation Data for Left channel DACL3 in 1dB steps. Table 11 |
| | 7 | R3ZCEN | 0 | DACR2 Zero Cross Detect Enable 0: zero cross disabled 1: zero cross enabled |
| | 8 | UPDATE | Not latched | Controls simultaneous update of all Attenuation Latches 0: Store DACR3 in intermediate latch (no change to output) 1: Store DACR3 and update attenuation on all channels. |

| REGISTER ADDRESS | BIT | LABEL | DEFAULT | DESCRIPTION |
|--|-----|------------|-------------------|---|
| 00110 Analogue Attenuation DACL4 | 6:0 | L4A[6:0] | 1111111 (0dB) | Attenuation Data for Left Channel DACL4 in 1dB steps. See Table 11 |
| | 7 | L4ZCEN | 0 | DACL2 Zero Cross Detect Enable 0: zero cross disabled 1: zero cross enabled |
| | 8 | UPDATE | Not latched | Controls simultaneous update of all Attenuation Latches 0: Store DACL4 in intermediate latch (no change to output) 1: Store DACL4 and update attenuation on all channels. |
| 00111 Analogue Attenuation DACR4 | 6:0 | R4A[6:0] | 1111111 (0dB) | Attenuation Data for Left Channel DACL4 in 1dB steps. See Table 11 |
| | 7 | R4ZCEN | 0 | DACR2 Zero Cross Detect Enable 0: zero cross disabled 1: zero cross enabled |
| | 8 | UPDATE | Not latched | Controls simultaneous update of all Attenuation Latches 0: Store DACR4 in intermediate latch (no change to output) 1: Store DACR4 and update attenuation on all channels. |
| 01000 Analogue Master Attenuation (all channels) | 6:0 | MASTA[6:0] | 1111111 (0dB) | Attenuation Data for all DAC Gains in 1dB steps. See Table 11 |
| | 7 | MZCEN | 0 | Master Zero Cross Detect Enable 0: zero cross disabled 1: zero cross enabled |
| | 8 | UPDATE | Not latched | Controls simultaneous update of all Attenuation Latches 0: Store gains in intermediate latch (no change to output) 1: Store gains and update attenuation on all channels. |
| 01001 Digital Attenuation DACL1 | 7:0 | LDA1[7:0] | 11111111 (0dB) | Digital Attenuation Data for Left Channel DACL1 in 0.5dB steps. See Table 12 |
| | 8 | UPDATE | Not latched | Controls simultaneous Update of all Attenuation Latches 0: Store LDA1 in intermediate latch (no change to output) 1: Store LDA1 and update attenuation on all channels |
| 01010 Digital Attenuation DACR1 | 7:0 | RDA1[6:0] | 11111111 (0dB) | Digital Attenuation Data for Right Channel DACR1 in 0.5dB steps. See Table 12 |
| | 8 | UPDATE | Not latched | Controls simultaneous update of all Attenuation Latches 0: Store RDA1 in intermediate latch (no change to output) 1: Store RDA1 and update attenuation on all channels. |
| 01011 Digital Attenuation DACL2 | 7:0 | LDA2[7:0] | 11111111 (0dB) | Digital Attenuation data for Left channel DACL2 in 0.5dB steps. See Table 12 |
| | 8 | UPDATE | Not latched | Controls simultaneous update of all Attenuation Latches 0: Store LDA2 in intermediate latch (no change to output) 1: Store LDA2 and update attenuation on all channels. |
| 01100 Digital Attenuation DACR2 | 7:0 | RDA2[7:0] | 11111111 (0dB) | Digital Attenuation Data for Right Channel DACR2 in 0.5dB steps. See Table 12 |
| | 8 | UPDATE | Not latched | Controls simultaneous update of all Attenuation Latches 0: Store RDA2 in intermediate latch (no change to output) 1: Store RDA2 and update attenuation on all channels. |
| 01101 Digital Attenuation DACL3 | 7:0 | LDA3[7:0] | 11111111 (0dB) | Digital Attenuation Data for Left Channel DACL3 in 0.5dB steps. See Table 12 |
| | 8 | UPDATE | Not latched | Controls simultaneous update of all Attenuation Latches 0: Store LDA3 in intermediate latch (no change to output) 1: Store LDA3 and update attenuation on all channels. |

| REGISTER ADDRESS | BIT | LABEL | DEFAULT | DESCRIPTION | | | | | |
|--|---------|-------------|----------------|---|-------------|--------------|---------|-------------|--------------|
| 01110 Digital Attenuation DACR3 | 7:0 | RDA3[7:0] | 11111111 (0dB) | Digital Attenuation Data for Right channel DACR3 in 0.5dB steps. See Table 12 | | | | | |
| | 8 | UPDATE | Not latched | Controls simultaneous update of all Attenuation Latches 0: Store RDA3 in intermediate latch (no change to output) 1: Store RDA3 and update attenuation on all channels. | | | | | |
| 01111 Digital Attenuation DACL4 | 7:0 | LDA4[7:0] | 11111111 (0dB) | Digital Attenuation Data for Left Channel DACL4 in 0.5dB steps. See Table 12 | | | | | |
| | 8 | UPDATE | Not latched | Controls simultaneous update of all Attenuation Latches 0: Store LDA4 in intermediate latch (no change to output) 1: Store LDA4 and update attenuation on all channels. | | | | | |
| 10000 Digital Attenuation DACR4 | 7:0 | RDA4[7:0] | 11111111 (0dB) | Digital Attenuation Data for Right Channel DACR4 in 0.5dB steps. See Table 12 | | | | | |
| | 8 | UPDATE | Not latched | Controls simultaneous update of all Attenuation Latches 0: Store RDA4 in intermediate latch (no change to output) 1: Store RDA4 and update attenuation on all channels. | | | | | |
| 10001 Master Digital Attenuation (all channels) | 7:0 | MASTDA[7:0] | 11111111 (0dB) | Digital Attenuation Data for all DAC Channels in 0.5dB steps. See Table 12 | | | | | |
| | 8 | UPDATE | Not latched | Controls simultaneous update of all Attenuation Latches 0: Store gain in intermediate latch (no change to output) 1: Store gain and update attenuation on all channels. | | | | | |
| 10010 Phase swaps | 7:0 | PHASE | 00000000 | Controls Phase of DAC Outputs 0: Sets non inverted output phase 1: inverts phase of DAC output | | | | | |
| 10011 DAC Control | 0 | DZCEN | 0 | DAC Digital Volume Zero Cross Enable: 0: Zero Cross detect disabled 1: Zero Cross detect enabled | | | | | |
| | 1 | ATC | 0 | Attenuator Control 0: All DACs use attenuations as programmed. 1: Right channel DACs use corresponding left DAC attenuations | | | | | |
| | 2 | IZD | 0 | Infinite Zero Detection Circuit Control and Automute Control 0: Infinite zero detect automute disabled 1: Infinite zero detect automute enabled | | | | | |
| | 3 | TOD | 0 | DAC Analogue Zero Cross Detect Timeout Disable 0: Timeout enabled 1: Timeout disabled | | | | | |
| | 7:4 | PL[3:0] | 1001 | DAC Output Control | | | | | |
| | | | | PL[3:0] | Left Output | Right Output | PL[3:0] | Left Output | Right Output |
| | | | | 0000 | Mute | Mute | 1000 | Mute | Right |
| | | | | 0001 | Left | Mute | 1001 | Left | Right |
| | | | | 0010 | Right | Mute | 1010 | Right | Right |
| | | | | 0011 | (L+R)/2 | Mute | 1011 | (L+R)/2 | Right |
| 0100 | | | | Mute | Left | 1100 | Mute | (L+R)/2 | |
| 0101 | Left | Left | 1101 | Left | (L+R)/2 | | | | |
| 0110 | Right | Left | 1110 | Right | (L+R)/2 | | | | |
| 0111 | (L+R)/2 | Left | 1111 | (L+R)/2 | (L+R)/2 | | | | |

| REGISTER ADDRESS | BIT | LABEL | DEFAULT | DESCRIPTION |
|----------------------------|-----|------------|---------|---|
| 10100 Mute Control | 3:0 | DMUTE[3:0] | 0000 | DAC Channel Soft Mute Enables: 0: mute disabled 1: mute enabled |
| | 4 | MUTEALL | 0 | DAC Channel Master Soft Mute. Mutes all DAC channels: 0: mute disabled 1: mute enabled |
| | 5 | RECEN | 0 | REC Output Enable 0: REC output muted 1: REC output enabled |
| 10101 DAC Control | 3:0 | DEEMP[3:0] | 0000 | De-emphasis Mode Select: 0: Normal Mode 1: De-emphasis Mode |
| | 7:4 | DZFM[3:0] | 0000 | Selects the output for ZFLG1 and ZFLG2 pins (see Table 9). 1: indicates 1024 consecutive zero input samples on the channels selected 0: indicates at least one of selected channels has non zero sample in last 1024 inputs |
| 10110 Interface Control | 1:0 | FMT[1:0] | 10 | Interface Format Select 00: right justified mode 01: left justified mode 10: I ² S mode 11: Reserved |
| | 2 | LRP | 0 | ADCLRC/DACLRC Polarity 0: Standard DACLRC Polarity 1: Inverted DACLRC Polarity |
| | 3 | BCP | 0 | BITCLK Polarity 0: Normal - DIN[3:0], DACLRC & ADCLRC sampled on rising edge of BCLK; DOUT changes on falling edge of BCLK. 1: Inverted - DIN[3:0], DACLRC & ADCLRC sampled on falling edge of BCLK; DOUT changes on rising edge of BCLK. |
| | 5:4 | WL[1:0] | 10 | Input Word Length 00: 16-bit Mode 01: 20-bit Mode 10: 24-bit Mode 11: 32-bit Mode (not supported in right justified mode) |
| | 8 | ADCHPD | 0 | ADC Highpass Filter Disable: 0: Highpass Filter enabled 1: Highpass Filter disabled |

| REGISTER ADDRESS | BIT | LABEL | DEFAULT | DESCRIPTION |
|--|-----|--------------|-------------|--|
| 11011 Master Mode Control | 2:0 | ADCRATE[2:0] | 010 | Master Mode MCLK:ADCLRC Ratio Select: 010: 256fs 011: 384fs 100: 512fs |
| | 3 | ADCOSR | 0 | ADC oversample rate select 0: 128x oversampling 1: 64x oversampling |
| | 6:4 | DACRATE[2:0] | 010 | Master Mode MCLK:DACLRC Ratio Select: 000: 128fs 001: 192fs 010: 256fs 011: 384fs 100: 512fs |
| | 8 | MS | 0 | Master/Slave Interface Mode Select 0: Slave Mode – ADCLRC, DACLRC and BCLK are inputs 1: Master Mode – ADCLRC, DACLRC and BCLK are outputs |
| 11000 Powerdown Control | 0 | PWDN | 0 | Chip Powerdown Control (works in tandem with ADCD and DACD): 0: All circuits running, outputs are active 1: All circuits in power save mode, outputs muted |
| | 1 | ADCD | 1 | ADC Powerdown: 0: ADC enabled 1: ADC disabled |
| | 5:2 | DACD[3:0] | 1111 | DAC Powerdown 0: DAC enabled 1: DAC disabled |
| 11001 Attenuation ADCL | 4:0 | LAG[4:0] | 01100 (0dB) | Attenuation Data for Left Channel ADC Gain in 1dB steps |
| | 5 | MUTE | 0 | Mute for Left Channel ADC: 0: Mute off 1: Mute on |
| | 6 | LRBOTH | 0 | Setting LRBOTH will write the same gain value to LAG[4:0] and RAG[4:0] |
| | 7 | ADCMUTE | 0 | Mute for Left and Right Channel ADC: 0: Mute off 1: Mute on |
| 11010 Attenuation ADCR | 4:0 | RAG[4:0] | 01100 (0dB) | Attenuation Data for Right Channel ADC gain in 1dB steps |
| | 5 | MUTE | 0 | Mute for Right Channel ADC: 0: Mute off 1: Mute on |
| | 6 | LRBOTH | 0 | Setting LRBOTH will write the same gain value to RAG[4:0] and LAG[4:0] |
| 11011 ADC Mux and Powerdown Control | 2:0 | LMX[2:0] | 000 | ADC left channel input mux control bits |
| | 6:4 | RMX[2:0] | 000 | ADC right channel input mux control bits |
| | 8 | AINPD | 1 | Input mux and buffer powerdown 0: Input mux and buffer enabled 1: Input mux and buffer powered down |

| REGISTER ADDRESS | BIT | LABEL | DEFAULT | DESCRIPTION |
|---|-------|------------|-----------|---|
| 11100 Output Mux and Powerdown Control | 2:0 | MX1[2:0] | 001 | VOUT1 Output Select (see Figure 21) |
| | 5:3 | MX2[2:0] | 001 | VOUT2 Output Select (see Figure 21) |
| | 8:7 | OUTPD[1:0] | 11 | Mixer and EVR Powerdown Select 0: mixer and EVR enabled 1: mixer and EVR powered down |
| 11101 Output Mux and Powerdown Control | 2:0 | MX3[2:0] | 001 | VOUT3 Output Select (see Figure 21) |
| | 4:3 | MX4[1:0] | 01 | VOUT4 Output Select (see Figure 22) |
| | 8:7 | OUTPD[3:2] | 11 | Mixer and EVR Powerdown Select 0: mixer and EVR enabled 1: mixer and EVR powered down |
| 11111 Software reset | [8:0] | RESET | Not reset | Writing to this register will apply a reset to the device registers. |

Table 15 Register Map Description

DIGITAL FILTER CHARACTERISTICS

| PARAMETER | TEST CONDITIONS | MIN | TYP | MAX | UNIT |
|----------------------|-----------------|----------|---------|------------|------|
| ADC Filter | | | | | |
| Passband | ± 0.01 dB | 0 | | 0.4535fs | |
| | -6dB | | 0.5fs | | |
| Passband ripple | | | | ± 0.01 | dB |
| Stopband | | 0.5465fs | | | |
| Stopband Attenuation | $f > 0.5465fs$ | -65 | | | dB |
| Group Delay | | | 22 | | fs |
| DAC Filter | | | | | |
| Passband | ± 0.05 dB | | | 0.444fs | |
| | -3dB | | 0.487fs | | |
| Passband ripple | | | | ± 0.05 | dB |
| Stopband | | 0.555fs | | | |
| Stopband Attenuation | $f > 0.555fs$ | -60 | | | dB |
| Group Delay | | | 16 | | fs |

Table 16 Digital Filter Characteristics

DAC FILTER RESPONSES

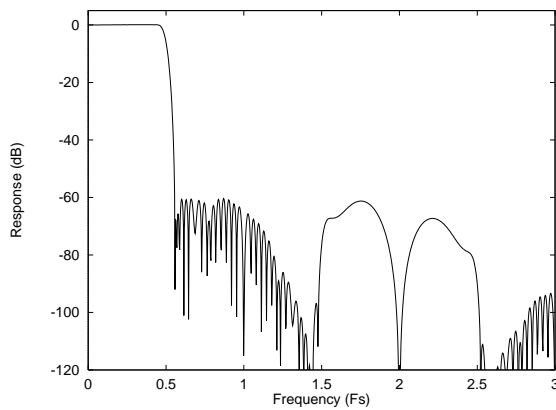


Figure 23 DAC Digital Filter Frequency Response – 44.1, 48 and 96kHz

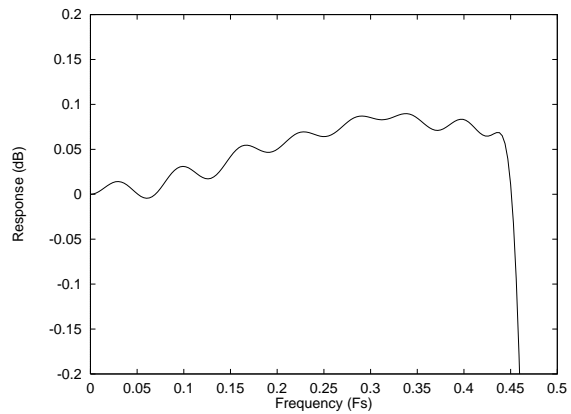


Figure 24 DAC Digital Filter Ripple – 44.1, 48 and 96kHz

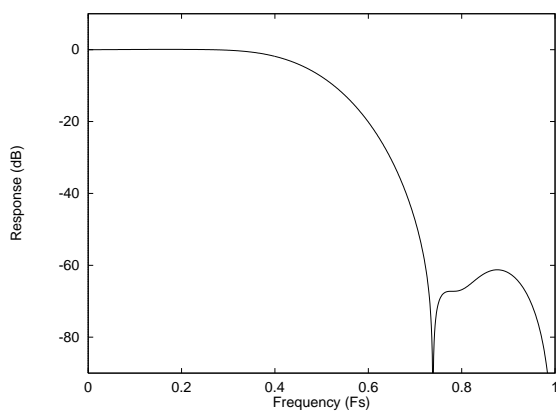


Figure 25 DAC Digital Filter Frequency Response – 192kHz

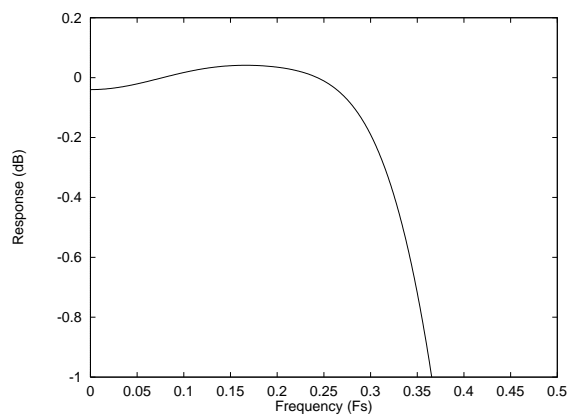


Figure 26 DAC Digital filter Ripple - 192kHz

ADC FILTER RESPONSES

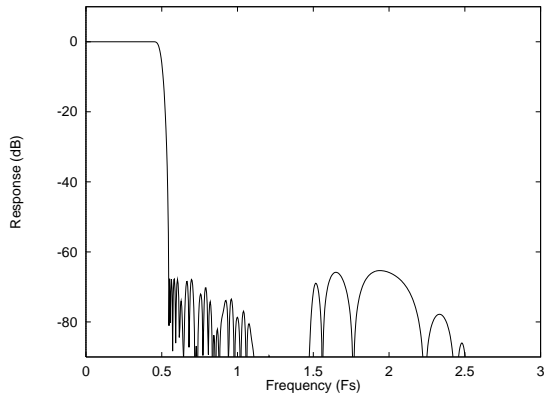


Figure 27 ADC Digital Filter Frequency Response

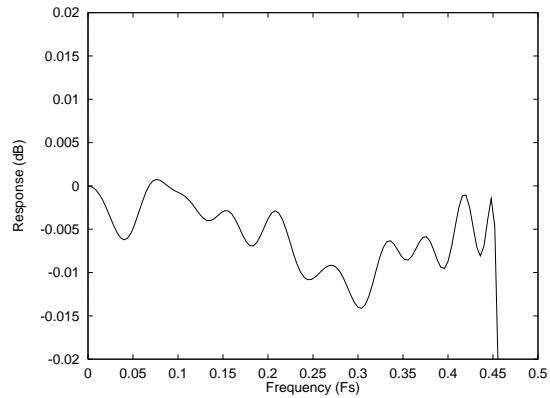


Figure 28 ADC Digital Filter Ripple

ADC HIGH PASS FILTER

The WM8770 has a selectable digital highpass filter to remove DC offsets. The filter response is characterised by the following polynomial.

$$H(z) = \frac{1 - z^{-1}}{1 - 0.9995z^{-1}}$$

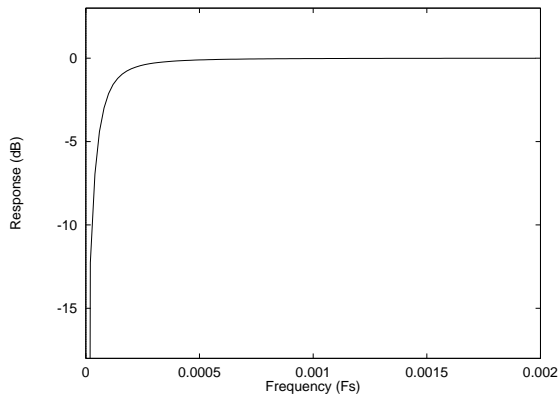


Figure 29 ADC Highpass Filter Response

DIGITAL DE-EMPHASIS CHARACTERISTICS

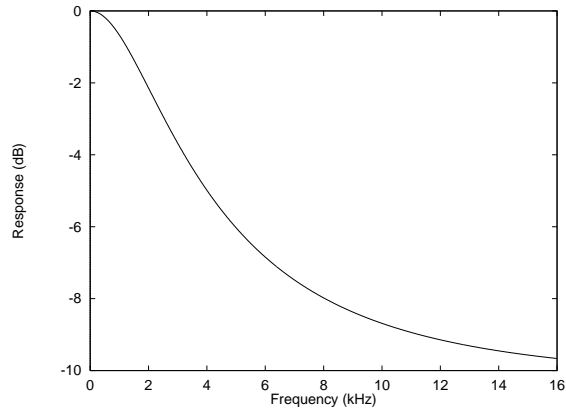


Figure 30 De-Emphasis Frequency Response (32kHz)

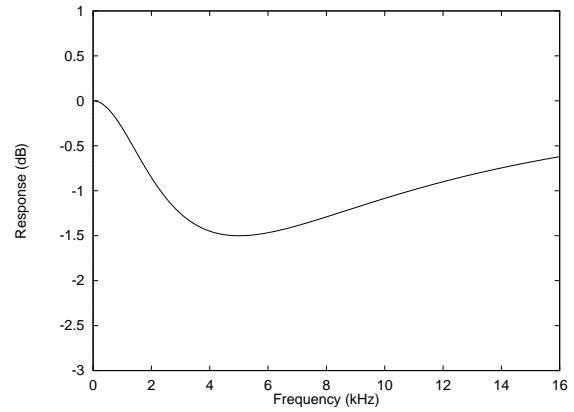


Figure 31 De-Emphasis Error (32kHz)

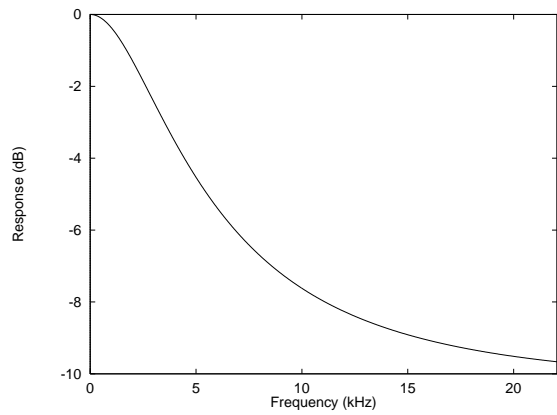


Figure 32 De-Emphasis Frequency Response (44.1kHz)

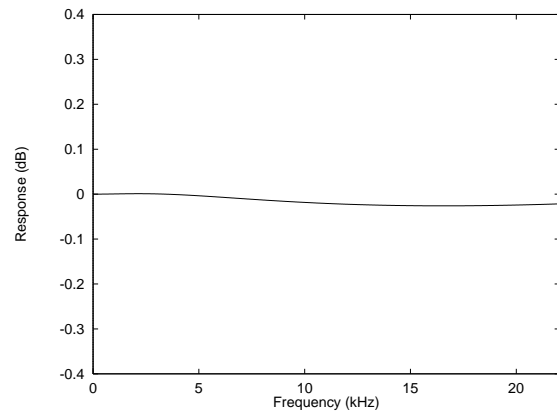


Figure 33 De-Emphasis Error (44.1kHz)

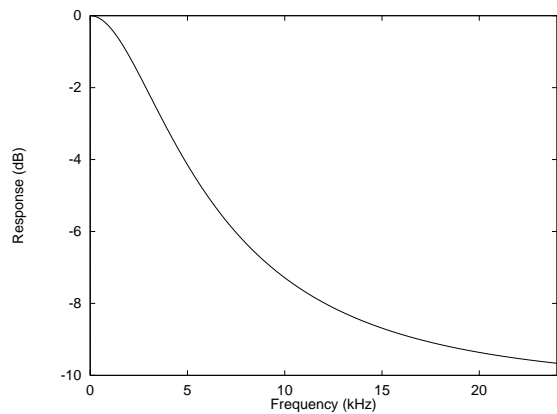


Figure 34 De-Emphasis Frequency Response (48kHz)

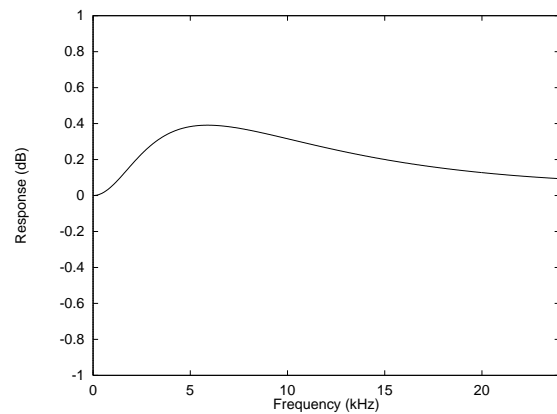
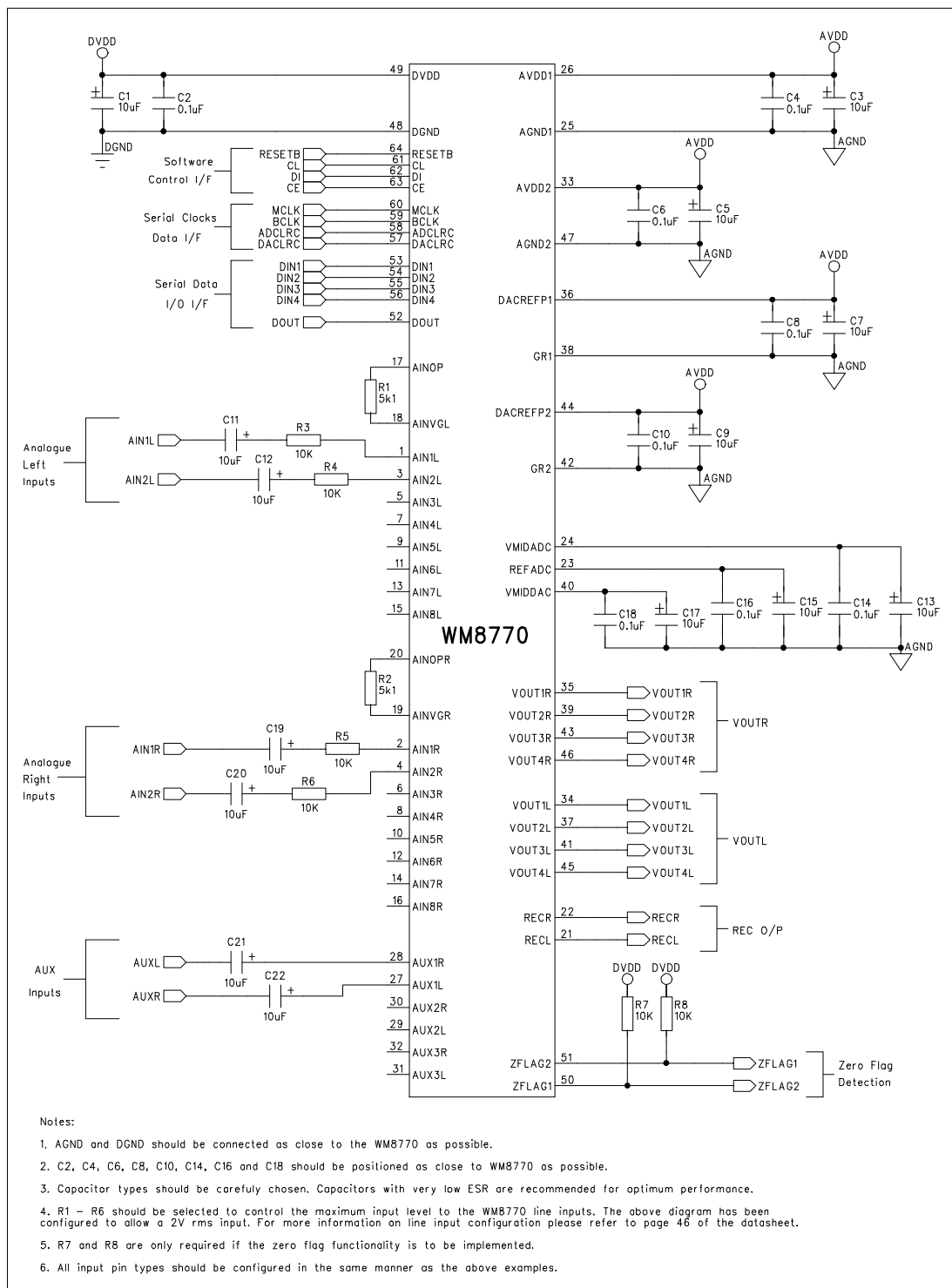


Figure 35 De-Emphasis Error (48kHz)

APPLICATIONS INFORMATION

RECOMMENDED EXTERNAL COMPONENTS



EXTERNAL CIRCUIT CONFIGURATION

In order to allow the use of 2Vrms and larger inputs to the ADC and AUX inputs, a structure is used that uses external resistors to drop these larger voltages. This also increases the robustness of the circuit to external abuse such as ESD pulse.

Figure 36 shows the ADC input multiplexor circuit with external components allowing 2Vrms inputs to be applied.

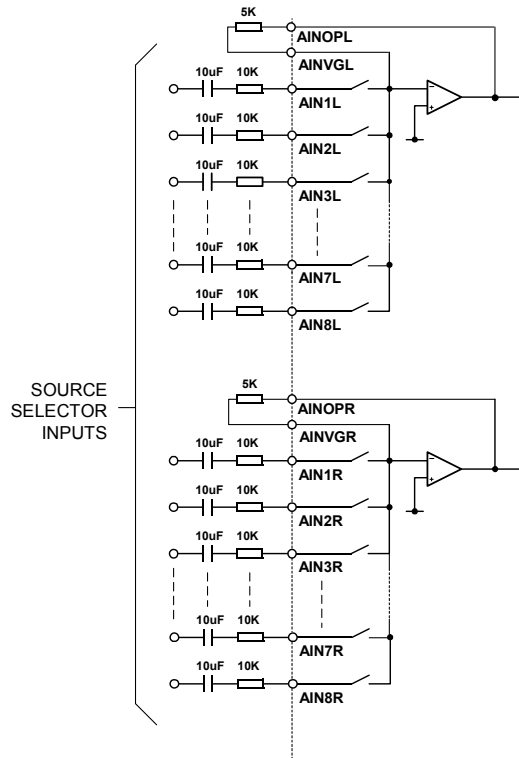


Figure 36 ADC Input Multiplexor Configuration

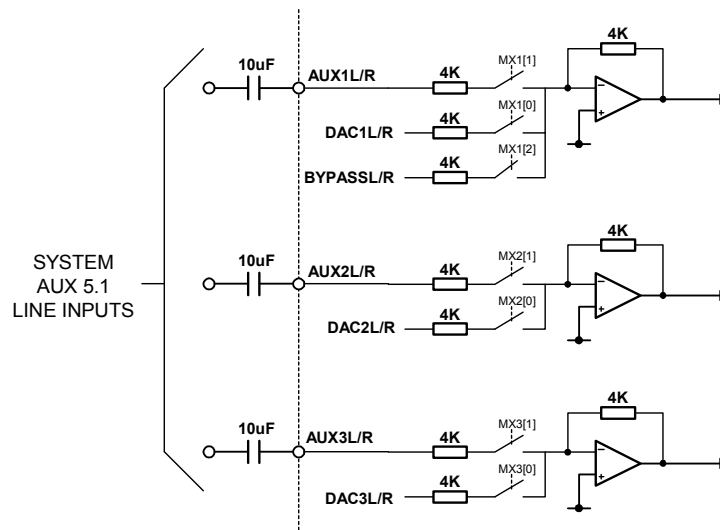


Figure 37 Shows the 5.1Channel Input Multiplexor Configuration

It is recommended that a lowpass filter be applied to the output from each DAC channel for Hi Fi applications. Typically a second order filter is suitable and provides sufficient attenuation of high frequency components (the unique low order, high bit count multi-bit sigma delta DAC structure used in WM8770 produces much less high frequency output noise than competitors devices). This filter is typically also used to provide the 2x gain needed to provide the standard 2Vrms output level from most consumer equipment. Figure 24 shows a suitable post DAC filter circuit, with 2x gain. Alternative inverting filter architectures might also be used with as good results.

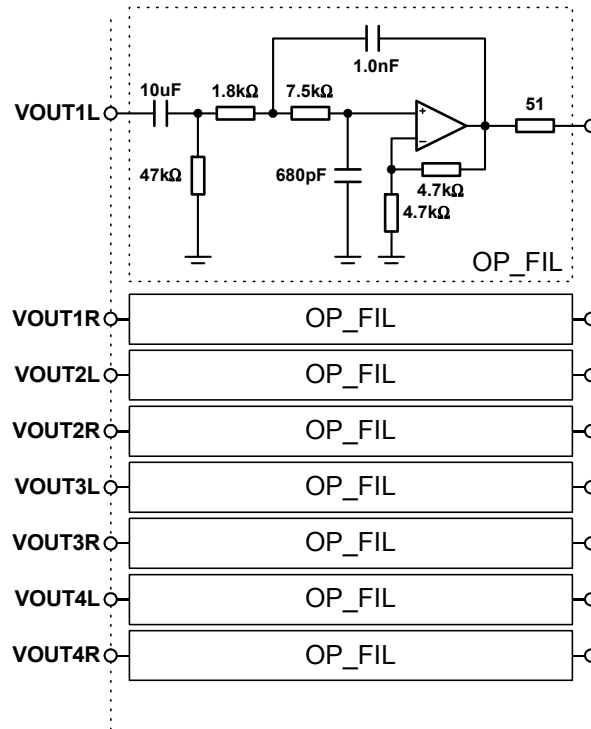
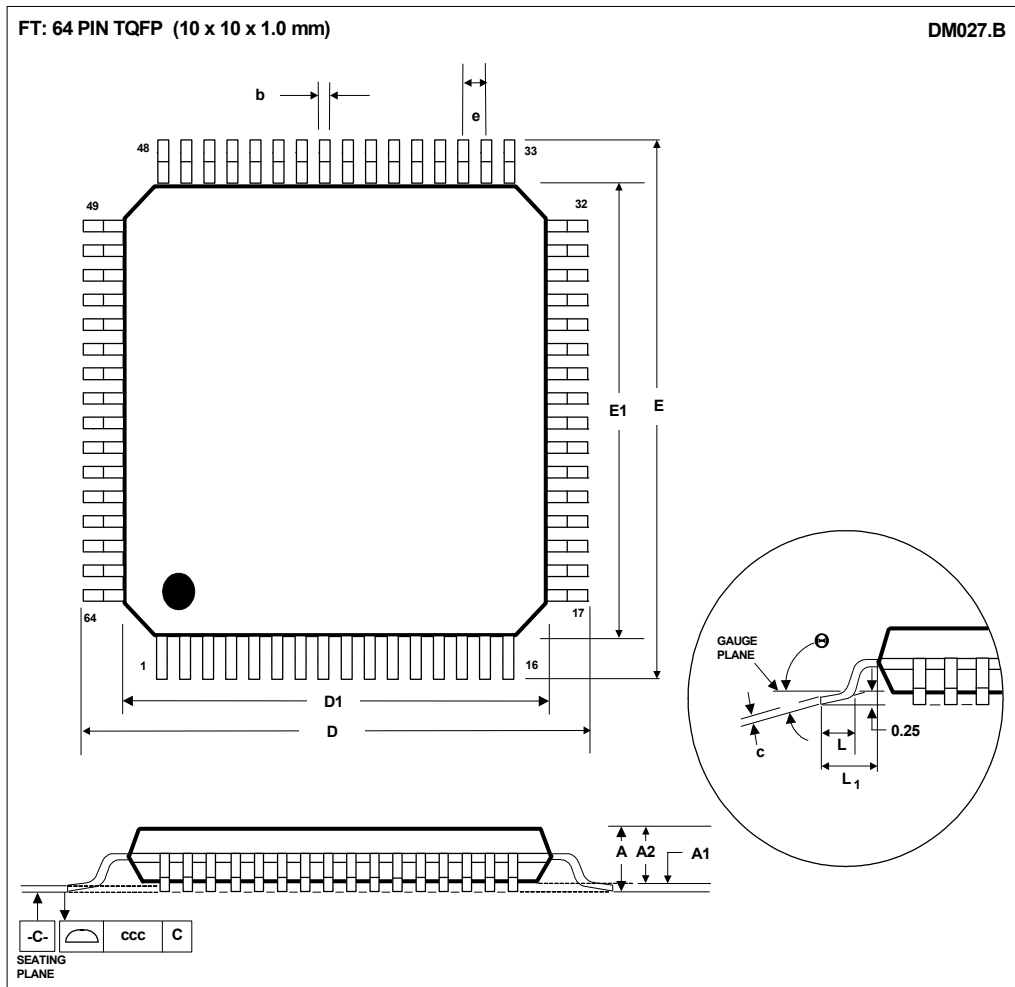


Figure 41 Recommended Post DAC Filter Circuit

PACKAGE DIMENSIONS



| Symbols | Dimensions (mm) | | |
|---------------------------------|---------------------------------|------|------|
| | MIN | NOM | MAX |
| A | ---- | ---- | 1.20 |
| A ₁ | 0.05 | ---- | 0.15 |
| A ₂ | 0.95 | 1.00 | 1.05 |
| b | 0.17 | 0.22 | 0.27 |
| c | 0.09 | ---- | 0.20 |
| D | 12.00 BSC | | |
| D ₁ | 10.00 BSC | | |
| E | 12.00 BSC | | |
| E ₁ | 10.00 BSC | | |
| e | 0.50 BSC | | |
| L | 0.45 | 0.60 | 0.75 |
| L ₁ | 1.00 REF | | |
| Θ | 0° | 3.5° | 7° |
| Tolerances of Form and Position | | | |
| ccc | 0.08 | | |
| REF: | JEDEC.95, MS-026, VARIATION ACD | | |

NOTES:
 A. ALL LINEAR DIMENSIONS ARE IN MILLIMETERS.
 B. THIS DRAWING IS SUBJECT TO CHANGE WITHOUT NOTICE.
 C. BODY DIMENSIONS DO NOT INCLUDE MOLD FLASH OR PROTRUSION, NOT TO EXCEED 0.25MM.
 D. MEETS JEDEC.95 MS-026, VARIATION = ACD. REFER TO THIS SPECIFICATION FOR FURTHER DETAILS.

IMPORTANT NOTICE

Wolfson Microelectronics plc ("Wolfson") products and services are sold subject to Wolfson's terms and conditions of sale, delivery and payment supplied at the time of order acknowledgement.

Wolfson warrants performance of its products to the specifications in effect at the date of shipment. Wolfson reserves the right to make changes to its products and specifications or to discontinue any product or service without notice. Customers should therefore obtain the latest version of relevant information from Wolfson to verify that the information is current.

Testing and other quality control techniques are utilised to the extent Wolfson deems necessary to support its warranty. Specific testing of all parameters of each device is not necessarily performed unless required by law or regulation.

In order to minimise risks associated with customer applications, the customer must use adequate design and operating safeguards to minimise inherent or procedural hazards. Wolfson is not liable for applications assistance or customer product design. The customer is solely responsible for its selection and use of Wolfson products. Wolfson is not liable for such selection or use nor for use of any circuitry other than circuitry entirely embodied in a Wolfson product.

Wolfson's products are not intended for use in life support systems, appliances, nuclear systems or systems where malfunction can reasonably be expected to result in personal injury, death or severe property or environmental damage. Any use of products by the customer for such purposes is at the customer's own risk.

Wolfson does not grant any licence (express or implied) under any patent right, copyright, mask work right or other intellectual property right of Wolfson covering or relating to any combination, machine, or process in which its products or services might be or are used. Any provision or publication of any third party's products or services does not constitute Wolfson's approval, licence, warranty or endorsement thereof. Any third party trade marks contained in this document belong to the respective third party owner.

Reproduction of information from Wolfson datasheets is permissible only if reproduction is without alteration and is accompanied by all associated copyright, proprietary and other notices (including this notice) and conditions. Wolfson is not liable for any unauthorised alteration of such information or for any reliance placed thereon.

Any representations made, warranties given, and/or liabilities accepted by any person which differ from those contained in this datasheet or in Wolfson's standard terms and conditions of sale, delivery and payment are made, given and/or accepted at that person's own risk. Wolfson is not liable for any such representations, warranties or liabilities or for any reliance placed thereon by any person.

ADDRESS:

Wolfson Microelectronics plc
Westfield House
26 Westfield Road
Edinburgh
EH11 2QB
United Kingdom

Tel :: +44 (0)131 272 7000
Fax :: +44 (0)131 272 7001
Email :: sales@wolfsonmicro.com

REVISION HISTORY

| DATE | REV | ORIGINATOR | CHANGES |
|-------------|------------|-------------------|---------------------------------------|
| 09/03/11 | 4.3 | BT | Removed reference to DSP Mode support |