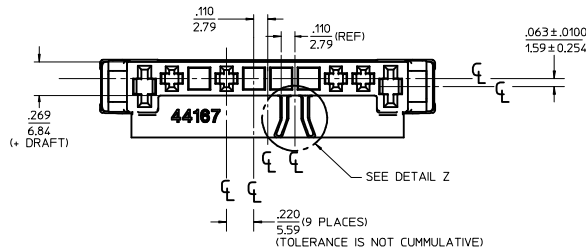
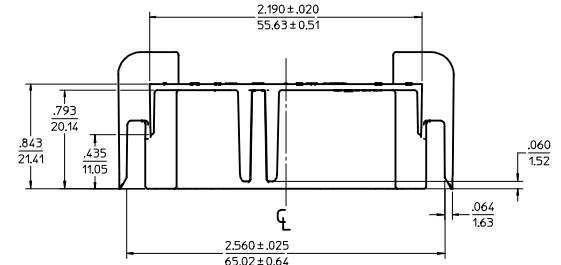
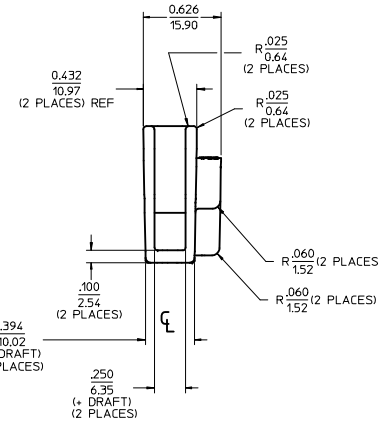
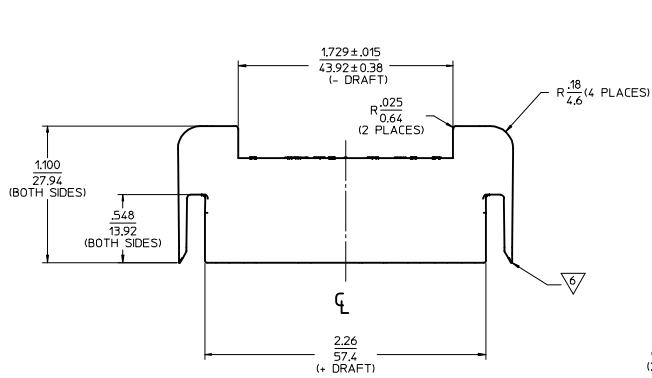


DETAIL Z  
SCALE 4:1

NOTES

1. MATERIAL: NYLON, PA66, UL94V-2, COLOR: NATURAL
2. FINISH: NONE
3. PRODUCT SPECIFICATION: PSX-42865-0001, PSX-42865-0002 & PS-43374-001
4. PACKAGING SPECS: HOUSINGS ARE PACKED PER PK-42865-001.
5. THIS CONNECTOR HOUSING FOR USE WITH TERMINALS:  
-.125/3.18 SPADE: 1508-\* & 43374-\*\*\*1 (4-PL MAX)  
-.250/6.35 SPADE: 41422-3\*\*\*5\*\* (2-PL MAX)
6. THE OUTSIDE EDGES ASSOCIATED WITH THIS SURFACE TO HAVE .02/0.51 RADII.
7. PART CONFORMS TO CLASS B REQUIREMENTS OF COSMETIC SPEC PS-45499-002.



ADD NYLON & COLOR. NOTE #1 E8	QUALITY SYMBOLS -0 -0	GENERAL TOLERANCES (UNLESS SPECIFIED)		SCALE 1:1	DESIGN UNITS INCH	THIRD ANGLE PROJECTION	REVISE ON CAD ONLY	
				DIMENSION STYLE IN/MM		TITLE		
		4 PLACES ± --- ± ---	3 PLACES ± --- ± 0.010	DRAWN BY TGREGORI	DATE 2003/03/27	HOUSING CONNECTOR 6 CKT., TOOL REM. LATCH DRYER MOTOR APPLICATION		
		2 PLACES ± 0.25 ± 0.014	1 PLACE ± 0.35 ± ---	CHECKED BY BWIRKUS	DATE 2003/03/27			
DRAFT WHERE APPLICABLE MUST REMAIN WITHIN DIMENSIONS		ANGULAR ± 1/2°		APPROVED BY BWIRKUS	DATE 2003/03/27	MATERIAL NO. 441670001	DOCUMENT NO. SD-44167-001	
				THIS DRAWING CONTAINS INFORMATION THAT IS PROPRIETARY TO MOLEX INCORPORATED AND SHOULD NOT BE USED WITHOUT WRITTEN PERMISSION		SHEET NO. 1 OF 1		