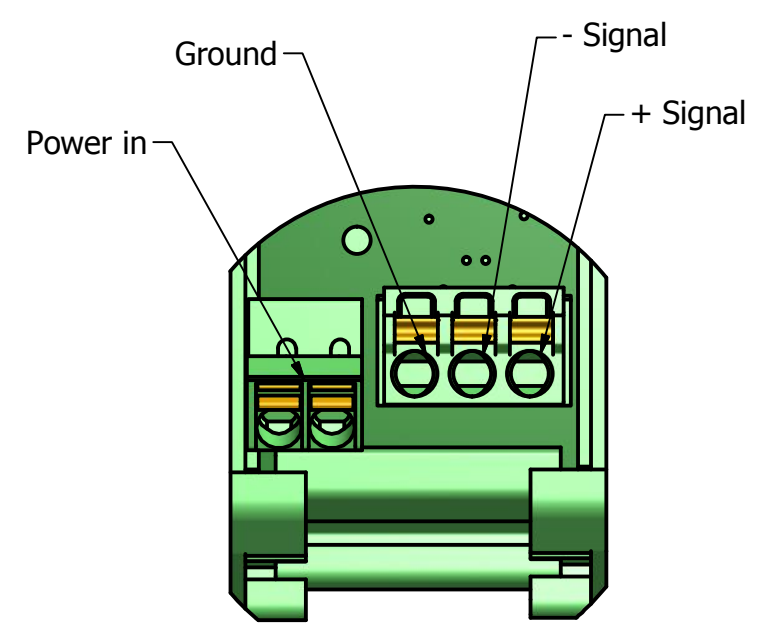
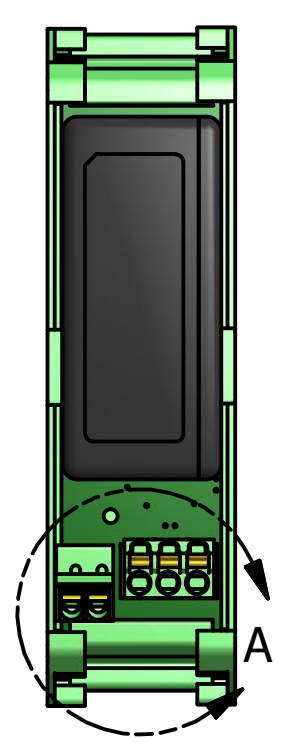
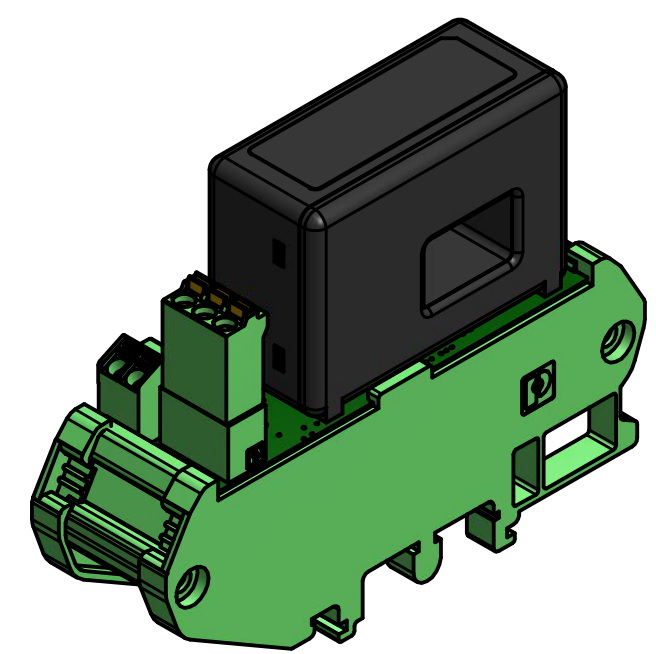


4 3 2 1

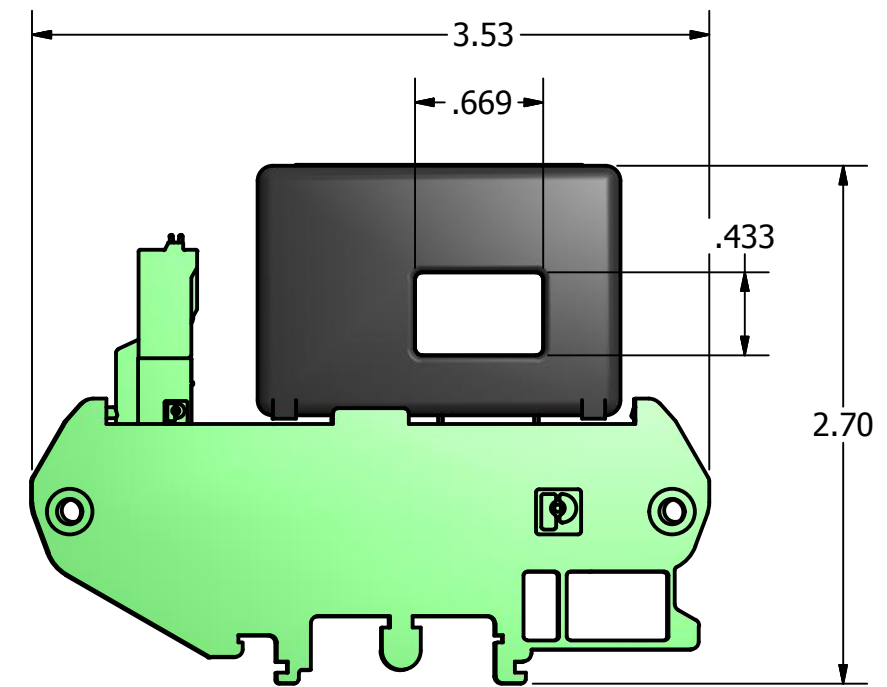
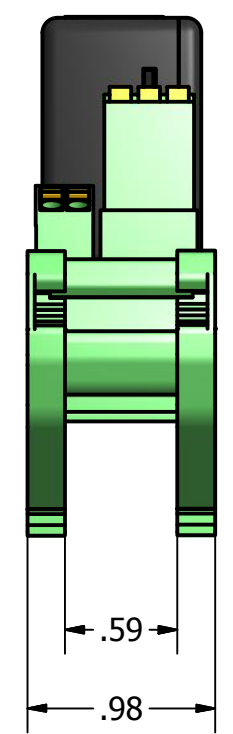
D



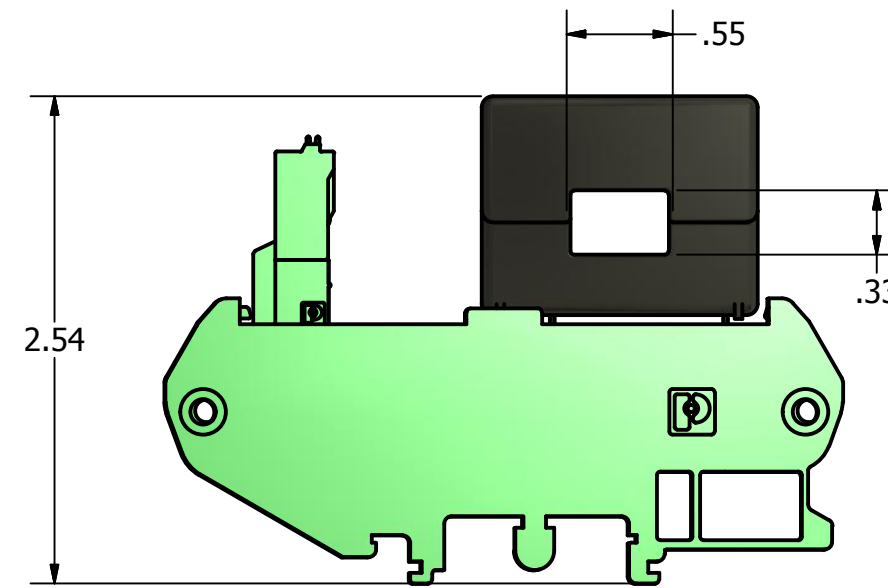
DETAIL A  
SCALE 2:1



C

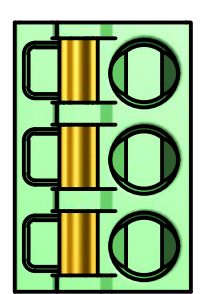


Envoy 200A and 300A option

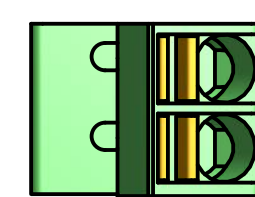


Envoy 50A, 100A and 150A option

B




Conductor cross section min.0.2 mm<sup>2</sup>  
 Conductor cross section max.1.5 mm<sup>2</sup>  
 Conductor cross section AWG min.24  
 Conductor cross section AWG max.16  
 Stripping length10 mm



Conductor cross section solid min.0.2 mm<sup>2</sup>  
 Conductor cross section solid max.1.5 mm<sup>2</sup>  
 Conductor cross section AWG min.24  
 Conductor cross section AWG max.16  
 Stripping length8 mm

A

DRAWN J. Lizarazo	31/05/2015	 TITLE <h3 style="text-align: center;">Envoy SC</h3>		
CHECKED				
QA		SIZE C	DWG NO	REV
MFG		SCALE	SHEET 1 OF 1	
APPROVED				

4 3 2 1