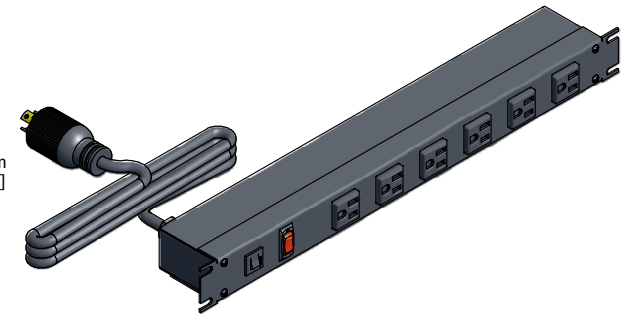
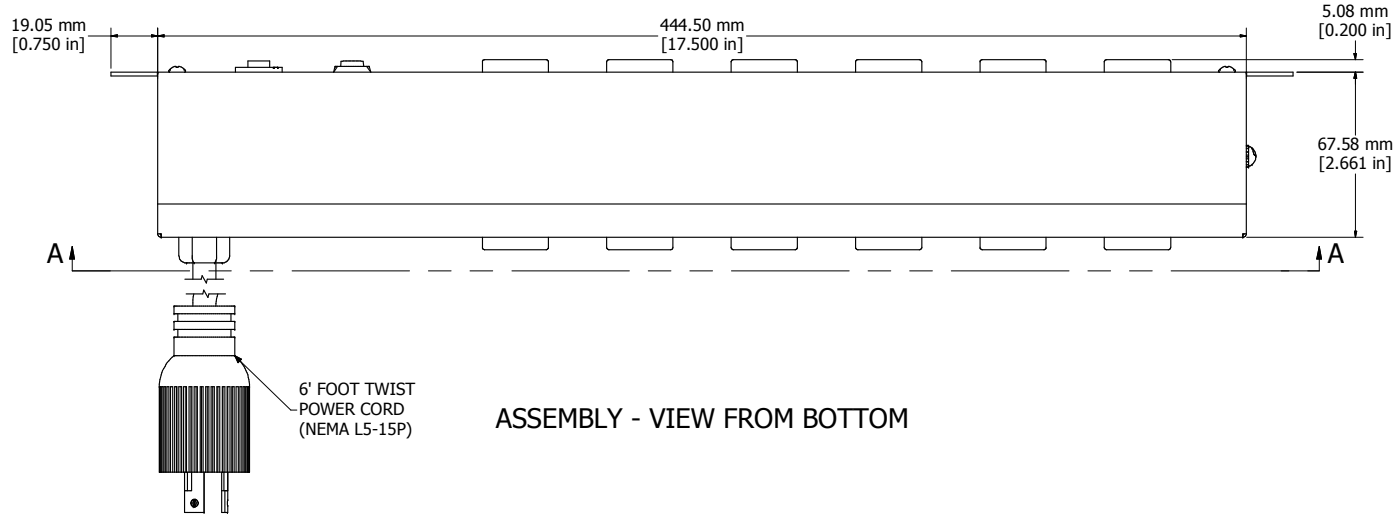


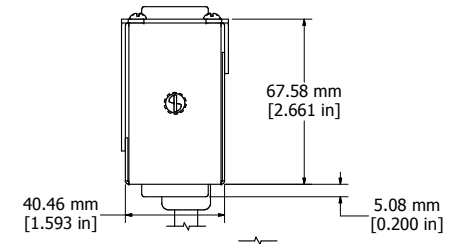
ASSEMBLY - VIEW FROM FRONT



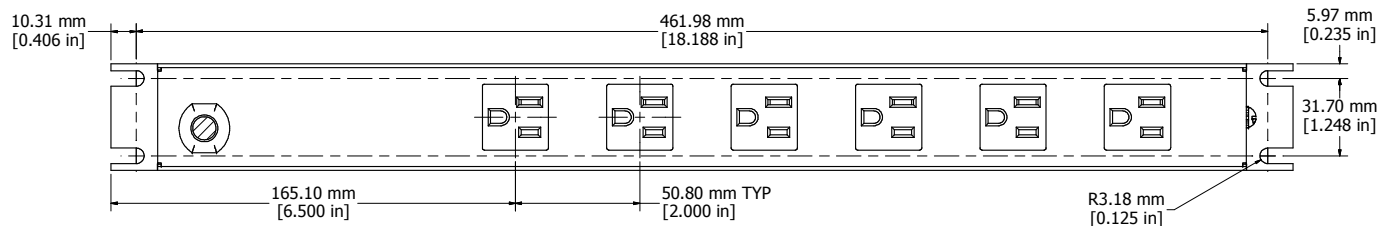
ISOMETRIC VIEW



ASSEMBLY - VIEW FROM BOTTOM



ASSEMBLY - VIEW FROM FRONT



SECTION A-A

1583H12C1BKX
Finish - Front - Black Painted Steel
Back - Black Painted Steel
Rated - 125 VAC, 60 Hz, 15 Amps
Approvals - CSA Certified Standards C22.2 (No. 21-95, 42-99)
- UL Recognized Standard UL1363
Cord Length
1583H12C1BKX - 6' Foot Twist Power Cord (NEMA L5-15P)
1583H12D1BKX - 15' Foot Twist Power Cord (NEMA L5-15P)



HAMMOND
MANUFACTURING™

1583H12C1BKX

www.hammondmfg.com