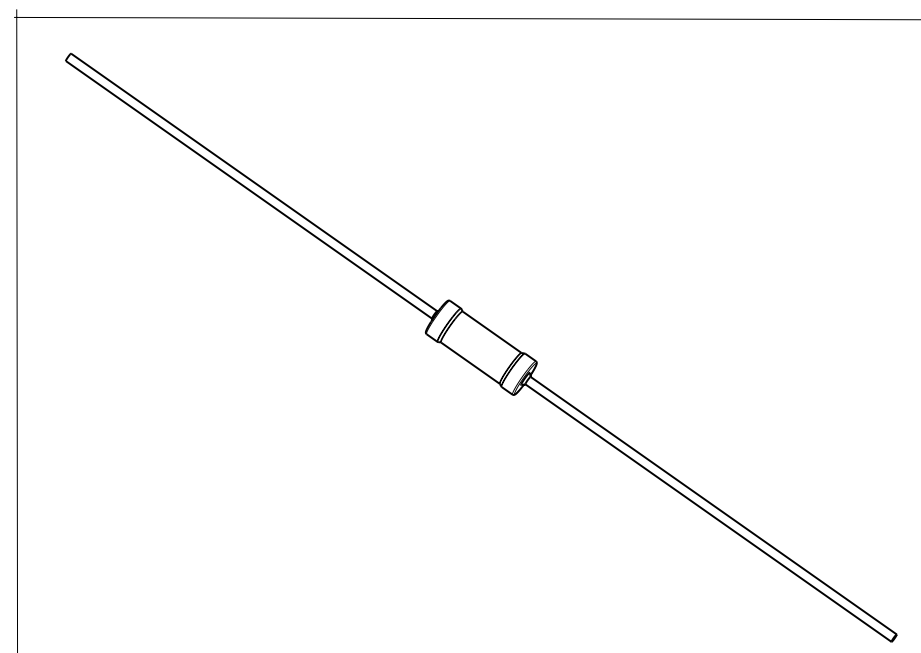
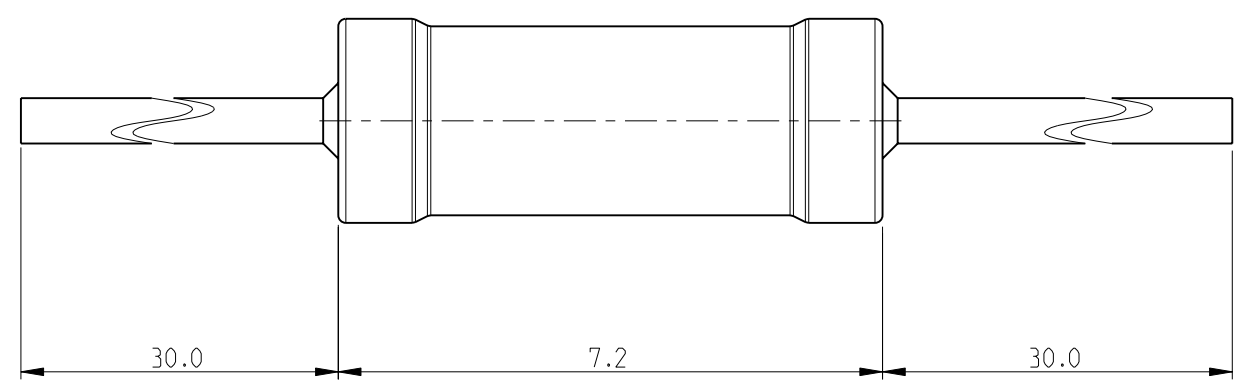
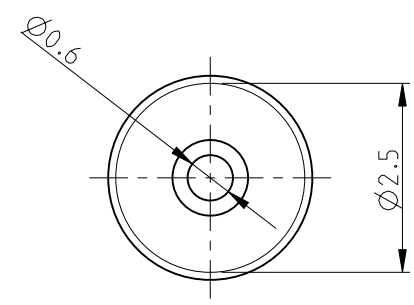


THIS DRAWING IS UNPUBLISHED. RELEASED FOR PUBLICATION 2009  
 © COPYRIGHT 2009 BY TYCO ELECTRONICS CORPORATION. ALL RIGHTS RESERVED.

| LOC | DIST | REVISIONS   |             |              |         |
|-----|------|-------------|-------------|--------------|---------|
| P   | LTR  | DESCRIPTION | DATE        | DWN          | APVD    |
| E   | B    | BA          | NEW RELEASE | 24 JUNE 2010 | PT St.P |

FOR FURTHER INFORMATION SEE DATA SHEET FOR  
 SERIES HOLCO, AXIAL LEADED PRECISION RESISTORS



RoHS Compliant

|   |  |   |  |  |  |
|---|--|---|--|--|--|
| <small>THIS DRAWING IS A CONTROLLED DOCUMENT FOR TYCO ELECTRONICS CORPORATION<br/>         IT IS SUBJECT TO CHANGE AND THE CONTROLLING ENGINEERING ORGANIZATION<br/>         SHOULD BE CONTACTED FOR THE LATEST REVISION.</small> |  | DWN 24 JUNE 2010<br>PARUSURAM.T   |  | Tyco Electronics Corporation<br>Dorcan, Swindon, SN3 5HH     |  |
| DIMENSIONS:<br>mm   |  | TOLERANCES UNLESS OTHERWISE SPECIFIED:<br>0 PLC $\pm 0.2$<br>1 PLC $\pm 0.1$<br>2 PLC $\pm -$<br>3 PLC $\pm -$<br>4 PLC $\pm -$<br>ANGLES $\pm 5^\circ$ |  | NAME<br>AXIAL LEADED PRECISION RESISTORS<br>SERIES HOLCO H8  |  |
| MATERIAL -  |  | FINISH -  |  | APVD 24 JUNE 2010<br>STEPHEN.P                               |  |
| PRODUCT SPEC -  |  | APPLICATION SPEC -  |  | SIZE A3 CAGE CODE 00779 DRAWING NO C-1879663 RESTRICTED TO - |  |
| WEIGHT -  |  | CUSTOMER DRAWING  |  | SCALE 10:1 SHEET 1 OF 1 REV BA                               |  |