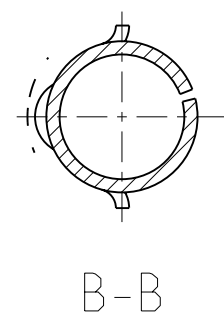
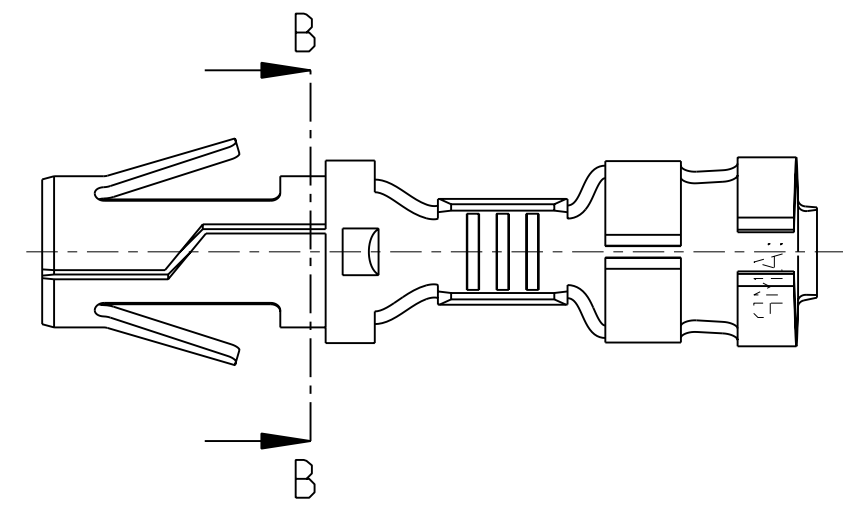
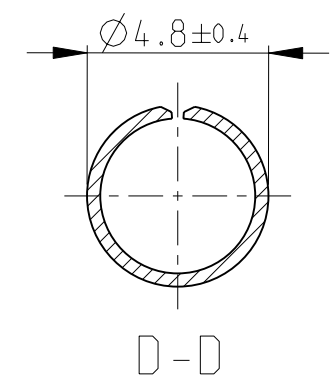
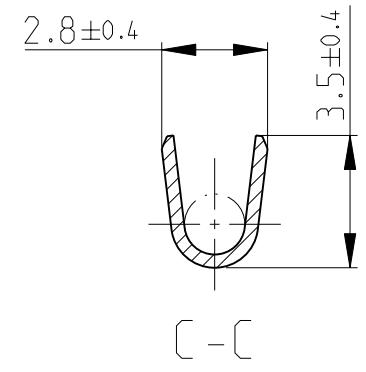
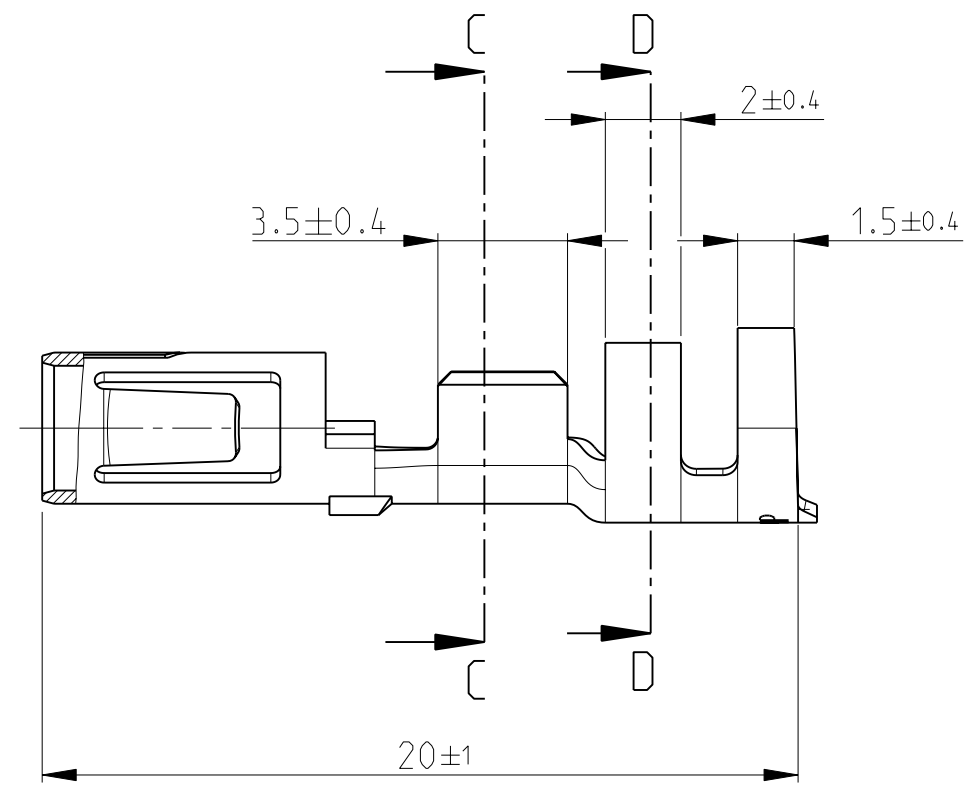


THIS DRAWING IS UNPUBLISHED. RELEASED FOR PUBLICATION 2008
 © COPYRIGHT 2008 BY TYCO ELECTRONICS CORPORATION. ALL RIGHTS RESERVED.

LOC	DIST	REVISIONS				
P	LTR	DESCRIPTION	DATE	DWN	APVD	
AL	2	Y	New drawing released	21NOV2008	J.S	P.E.G
		Y1	REVISED PER ECO-10-000445	06FEB10	KK	HMR



Terminal Conductor: FLK-Cable
 Conductor: F-Crimp
 Insulation: F-Crimp

Cross section in mm ²									
Single connection	0.50	0.75	1.00	1.50	2.00	2.50	3.00	4.00	6.00
0.50	X	X	X	X	X				
0.75	X	X	X	X					
1.00	X	X	X	X					
1.50	X	X							
2.00									
2.50									
3.00									
4.00									
6.00									

NOTE
 1 OBSOLETE PARTS: OBSOLETE C IS STREAMLINING PER D.RENAUD/D.SINISI

1 OBSOLETE	Plain	Phosphor Bronze	925661-9
	Gold over Ni.	Phosphor Bronze	925661-7
1 OBSOLETE	Gold over Ni.	Phosphor Bronze	925661-6
	Plain	Phosphor Bronze	925661-4
	Silver	Phosphor Bronze	925661-3
	Pre-tin	Phosphor Bronze	925661-2
	Pre-tin	Brass	925661-1
	Finish	Material	Part no.

925661-8 strip free
 Wire size range: 0.5-2.0 mm²

THIS DRAWING IS A CONTROLLED DOCUMENT FOR TYCO ELECTRONICS CORPORATION
 IT IS SUBJECT TO CHANGE AND THE CONTROLLING ENGINEERING ORGANIZATION
 SHOULD BE CONTACTED FOR THE LATEST REVISION.

DIMENSIONS:	TOLERANCES UNLESS OTHERWISE SPECIFIED:
mm	
0 PLC	±0.2
1 PLC	±0.2
2 PLC	±0.2
3 PLC	±0.2
4 PLC	±0.2
ANGLES	±1° 30'
MATERIAL	see table
FINISH	see table

DWN	J. Salo	21NOV2008
CHK	R. Sole	21NOV2008
APVD	P.F.Grassano	21NOV2008
PRODUCT SPEC	-	-
APPLICATION SPEC	-	-
WEIGHT	-	-
CUSTOMER DRAWING		

Tyco Electronics AMP España, S.A. Barcelona, Spain.	
NAME .140 DIA SOCKET	
SIZE A3	CAGE CODE -
DRAWING NO C-925661	RESTRICTED TO -
SCALE 5:1	SHEET 1 OF 1
REV Y1	