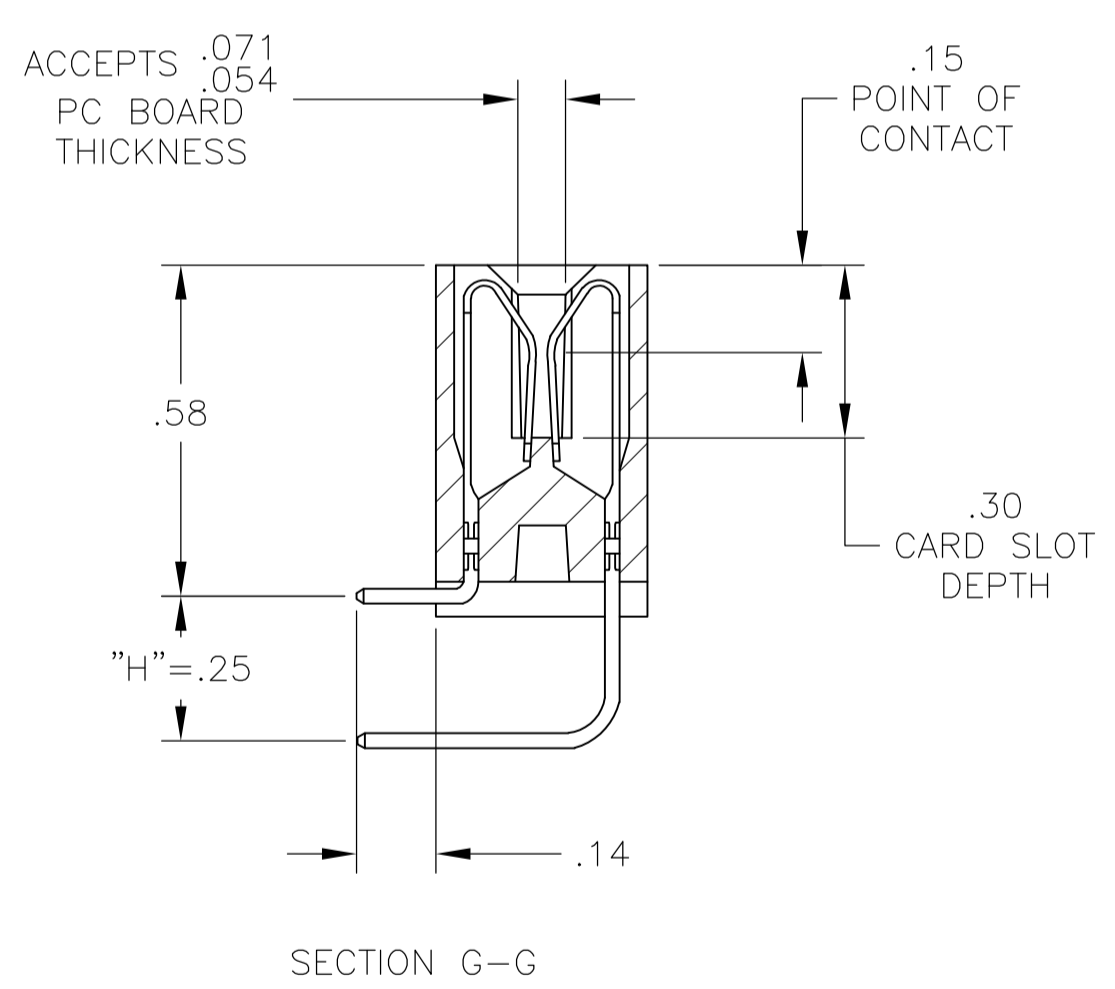
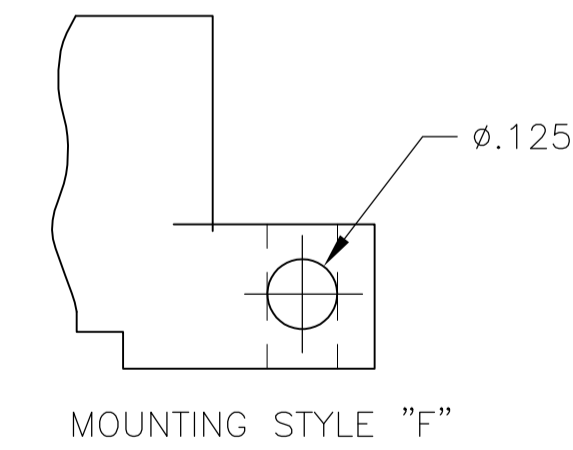
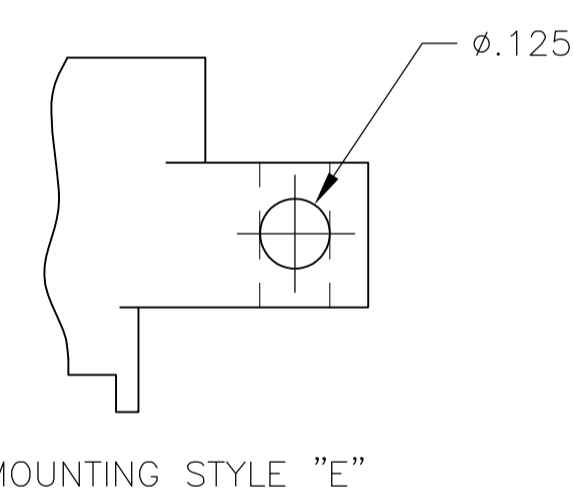
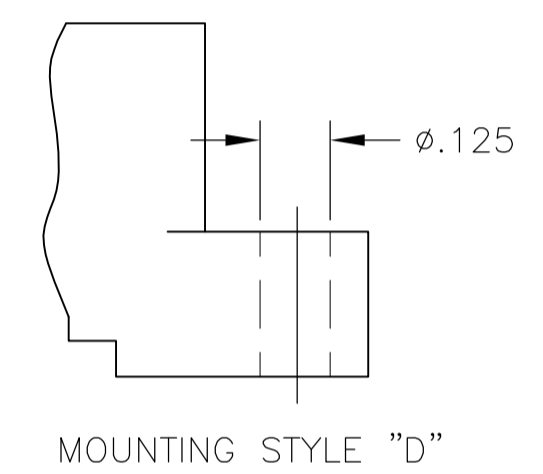
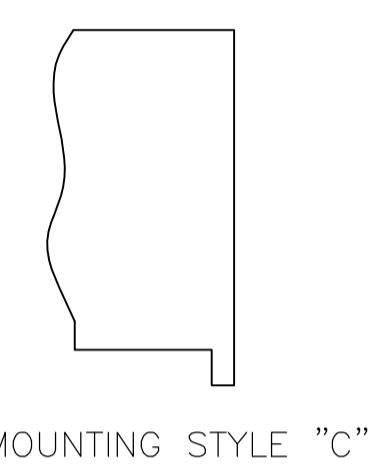
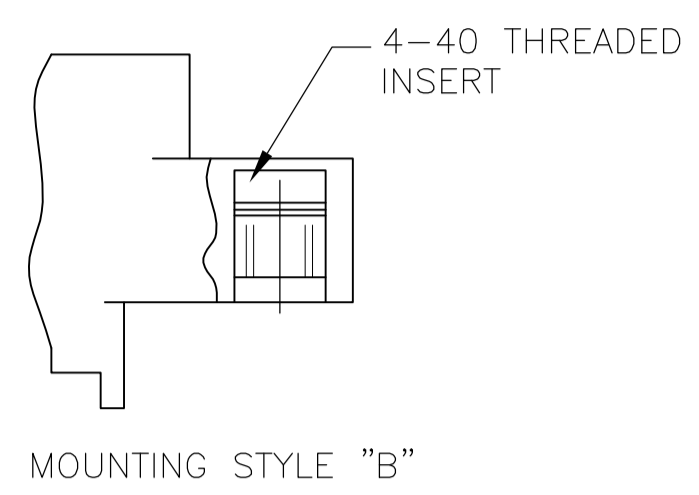
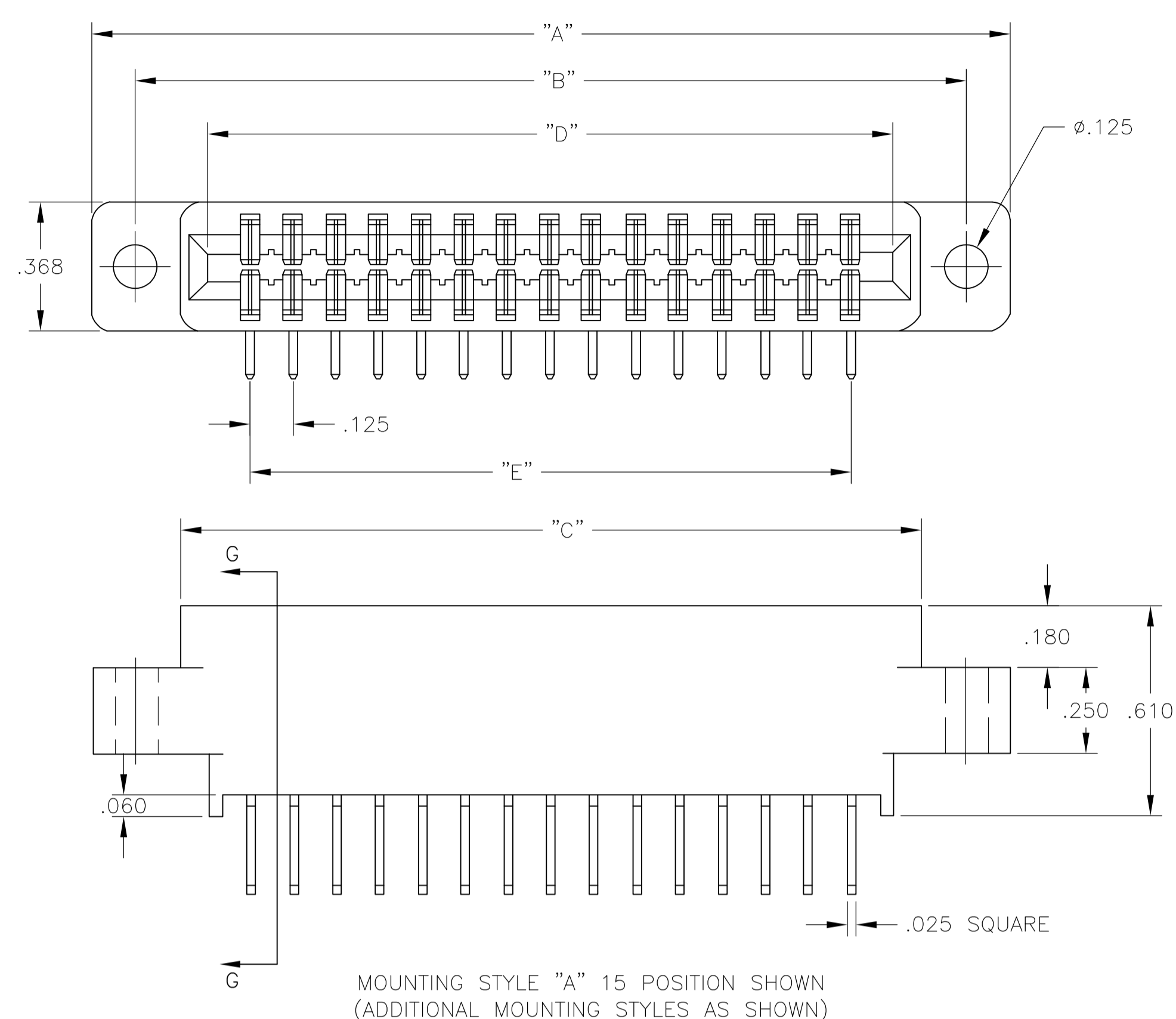


LOC		DIST		REVISIONS			
AD	OO	REV	DATE	DESCRIPTION	DATE	BY	APPV
		A	06MAY06	ECO 05 012610	06MAY06	BSV	MK
		A1	10NOV09	REVISED PER ECO-09-024927	10NOV09	KK	AEG



PHYSICAL PROPERTIES	
INSULATION MATERIAL	GLASS FILLED THERMOPLASTIC RATED 94V-0
COLOR	BLACK
CONTACT MATERIAL	HIGH STRENGTH COPPER ALLOY
CONTACT PLATING	MATING AREA - GOLD OVER NICKEL TAIL AREA - TIN/LEAD
ELECTRICAL PROPERTIES	
CURRENT RATING	3 AMPERES
INSULATION RESISTANCE	5000 MEGOHMS MINIMUM
DIELECTRIC STRENGTH	1000 VDC AT SEA LEVEL
ENVIRONMENTAL PROPERTIES	
TEMPERATURE RATING	-40°C TO +100°C
MECHANICAL PROPERTIES	
MATING FORCES	8 OZ/PAIR MAX.
UNMATING FORCES	2 OZ/PAIR MIN.

CATALOG NUMBER CODE DESCRIPTION

SERIES DESIGNATOR (.125 X .250)  
 DOUBLE READOUT  
 NUMBER OF CONTACT ROWS (06,10,15,18,22,25,28,30,35,36,40,43,50)  
 TERMINATION STYLE (RIGHT ANGLE DIP SOLDER)  
 CONTACT PLATING (GOLD/TIN-LEAD OR MATTE TIN)

A7 D \*\* RA 29 \* M\*\*\*

SPECIAL OR CUSTOMER MODIFICATION  
 "M" FOLLOWED BY NTHREE DIGIT FACTORY ASSIGNED NUMBER

MOUNTING STYLE  
 A = .129 DIA MOUNTING HOLES  
 B = 4-40 THREADED INSERTS  
 C = WITHOUT MOUNTING EARS  
 D = FLUSH MOUNT/.125 DIA MOUNTING HOLES  
 E = CROSS-DRILLED STANDARD EAR  
 F = CROSS-DRILLED FLUSH MOUNT EAR

POLARIZING KEY AVAILABLE CAT. NO. "98014-01"

NUMBER OF CONTACT ROWS	NUMBER OF CONTACTS	DIM "A"	DIM "B"	DIM "C"	DIM "D"	DIM "E"
50	100	7.055	6.795	6.535	6.379	6.125
43	86	6.180	5.920	5.660	5.504	5.250
40	80	5.805	5.545	5.285	5.129	4.875
36	72	5.305	5.045	4.785	4.629	4.375
35	70	5.180	4.920	4.660	4.504	4.250
30	60	4.555	4.295	4.035	3.879	3.625
28	56	4.305	4.045	3.785	3.629	3.375
25	50	3.930	3.670	3.410	3.254	3.000
22	44	3.555	3.295	3.035	2.879	2.625
18	36	3.055	2.795	2.535	2.379	2.125
15	30	2.680	2.420	2.160	2.004	1.750
10	20	2.055	1.795	1.535	1.379	1.125
06	12	1.555	1.295	1.035	.879	.625

THIS DRAWING IS A CONTROLLED DOCUMENT.

TOLERANCES UNLESS OTHERWISE SPECIFIED:

0 PLC	± .005
1 PLC	± .004
2 PLC	± .003
3 PLC	± .002
4 PLC	± .001
ANGLES	± .001

MATERIAL: - FINISH: -

THIS DRAWING IS A CONTROLLED DOCUMENT.

APVD: -

NAME: Tyco Electronics Corporation, Harrisburg, Pa 17105-3608

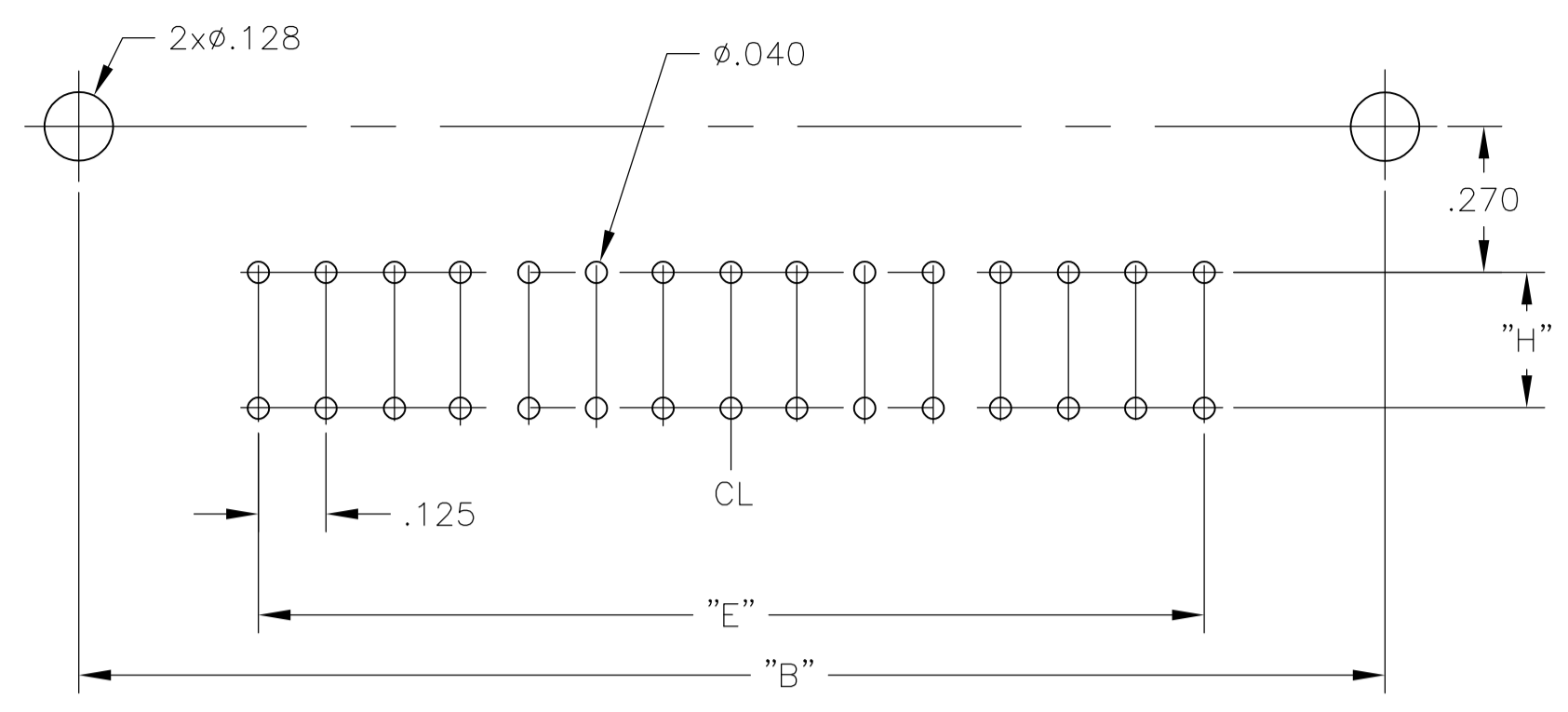
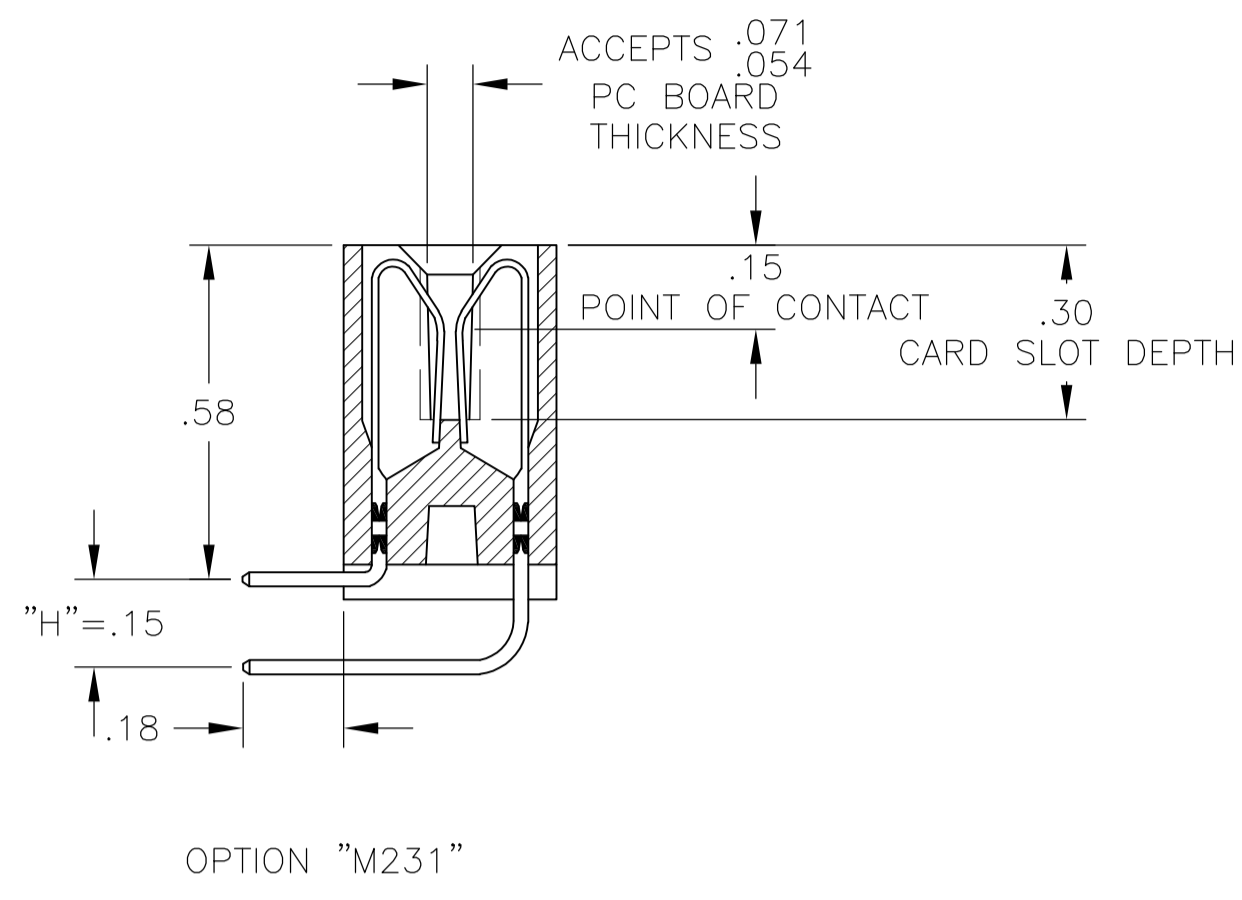
PRODUCT SPEC: A7 CARD EDGE CONNECTOR (.125 x .250 CENTERS) RIGHT ANGLE DIP SOLDER TAILS

APPLICATION SPEC: -

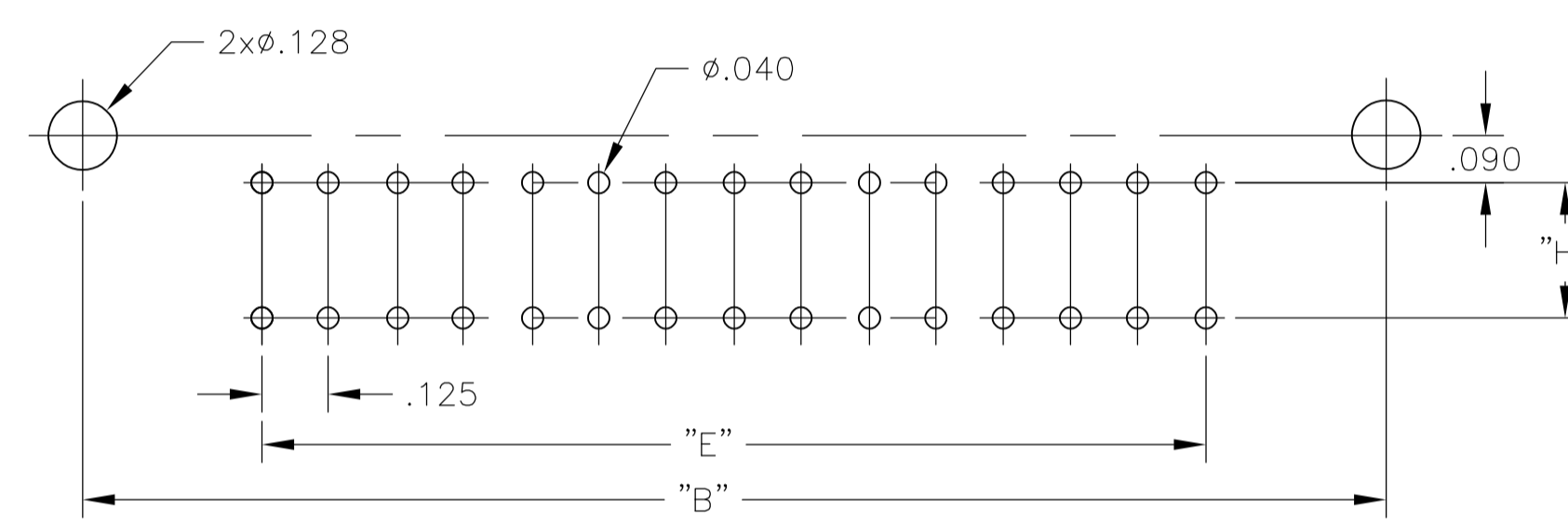
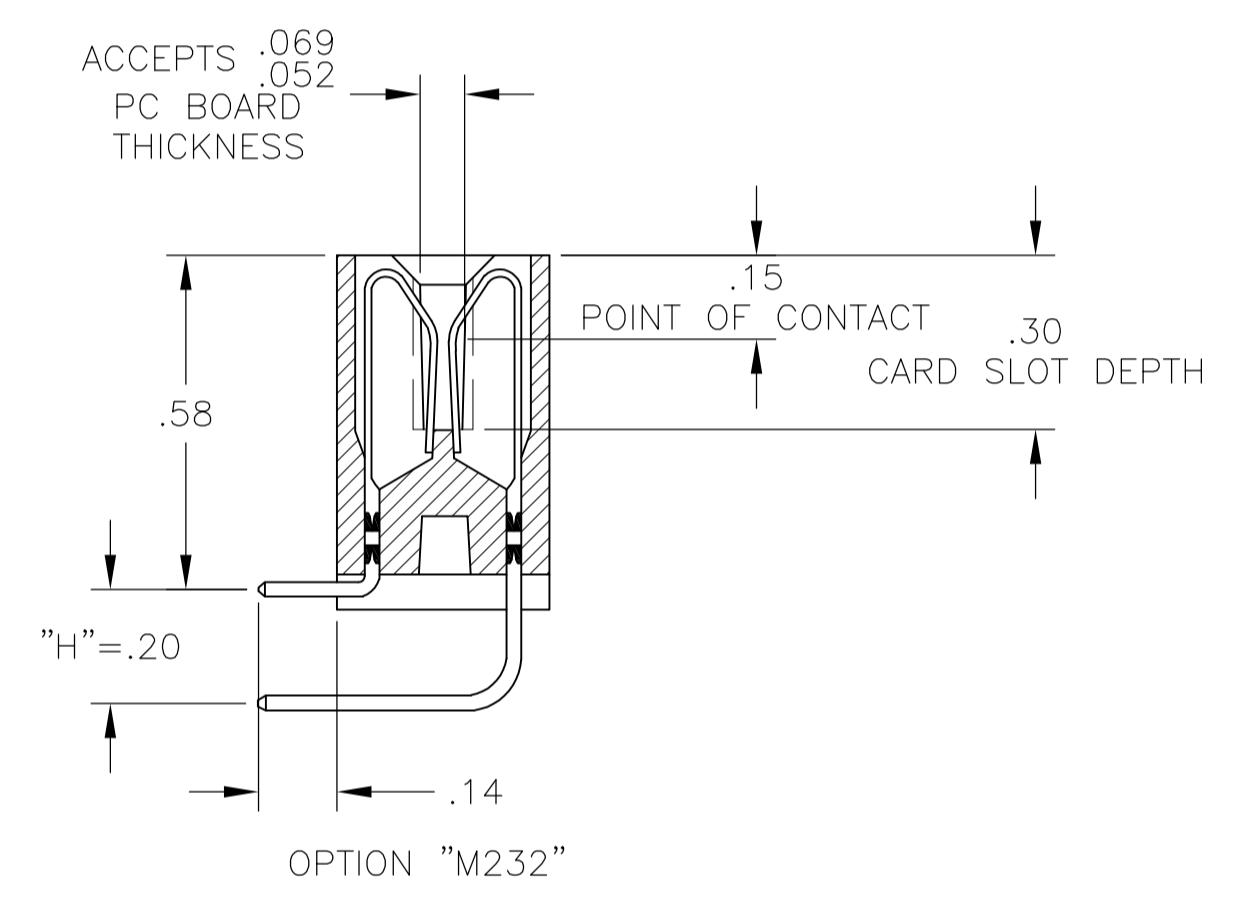
SIZE: A1 CAGE CODE: 00779 DRAWING NO: 1437268-6 RESTRICTED TO: -

WEIGHT: -

CUSTOMER DRAWING: - SCALE: 3:1 SHEET: 1 OF 2 REV: A1

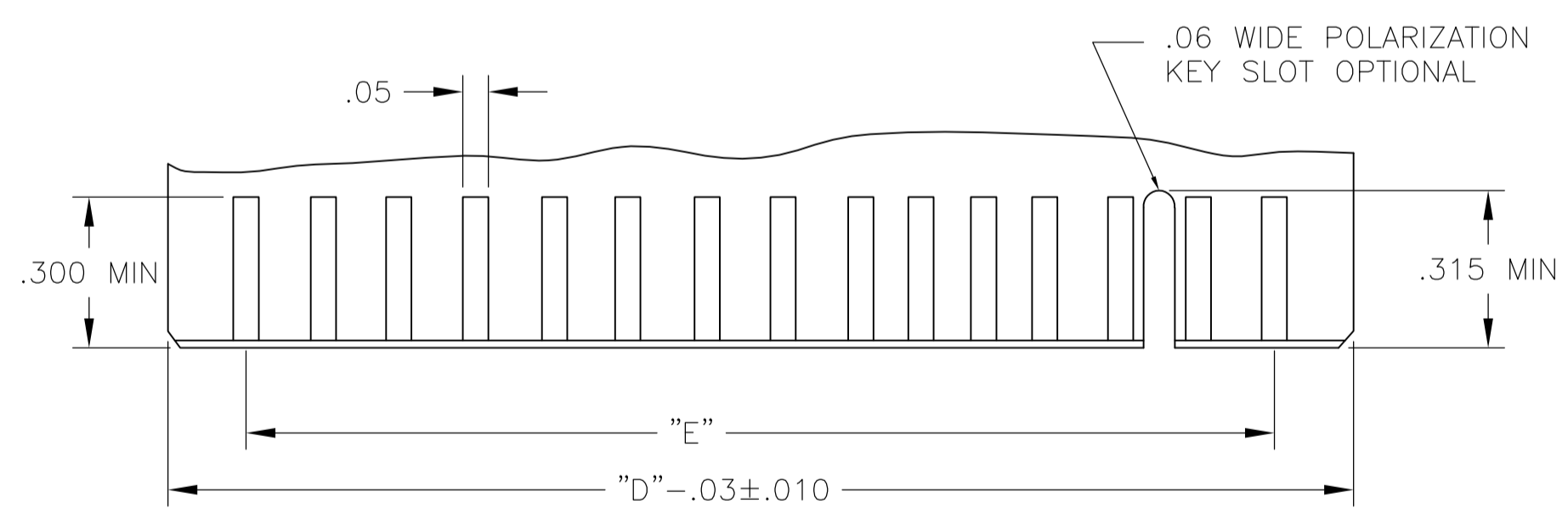


RECOMMENDED PC HOLE PATTERN FOR MOUNTING STYLE "E"

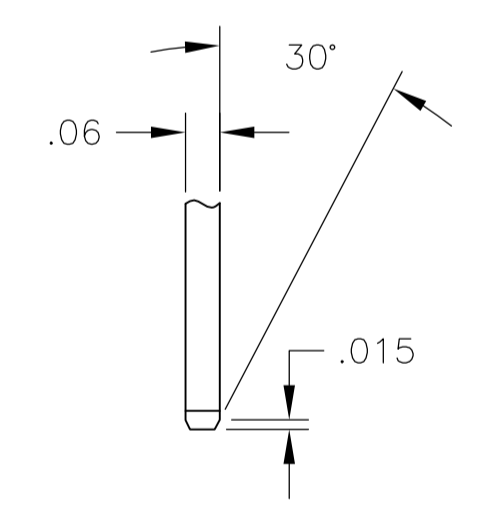


RECOMMENDED PC HOLE PATTERN FOR MOUNTING STYLE "F"

1 OBSOLETE PARTS: OBSOLETE CIS STREAMLINING PER D.RENAUD/D.SINISI



RECOMMENDED PC BOARD



1 OBSOLETE	6-1437268-0	A7D50RA29A	6-6437268-0	A7D50RA29ALF
	4-1437268-8	A7D40RA29E	4-6437268-8	A7D40RA29ELF
	4-1437268-3	A7D36RA29AM232	4-6437268-3	A7D36RA29AM232LF
	4-1437268-0	A7D35RA29A	4-6437268-0	A7D35RA29ALF
	3-1437268-6	A7D30RA29AM231	3-6437268-6	A7D30RA29AM231LF
	3-1437268-2	A7D28RA29EM231	3-6437268-2	A7D28RA29EM231LF
	3-1437268-1	A7D28RA29E	3-6437268-1	A7D28RA29ELF
	2-1437268-9	A7D28RA29C	2-6437268-9	A7D28RA29CLF
	2-1437268-8	A7D28RA29AM231	2-6437268-8	A7D28RA29AM231LF
	2-1437268-7	A7D28DS29E2	2-6437268-7	A7D28DS29E2LF
	2-1437268-2	A7D25RA29FM232	2-6437268-2	A7D25RA29FM232LF
	1-1437268-4	A7D15RA29E	1-6437268-4	A7D15RA29ELF
	1-1437268-3	A7D15RA29C	1-6437268-3	A7D15RA29CLF
	1-1437268-8	A7D10RA29AM231	1-6437268-8	A7D10RA29AM231LF
	1-1437268-6	A7D06RA29E	1-6437268-6	A7D06RA29ELF

THIS DRAWING IS A CONTROLLED DOCUMENT.

TOLERANCES UNLESS OTHERWISE SPECIFIED:

0 PL	± .005
1 PL	± .004
2 PL	± .003
3 PL	± .002
4 PL	± .001
ANGLES	± .001

MATERIAL: - FINISH: -

THIS DRAWING IS A CONTROLLED DOCUMENT.

DIN: -

CHK: -

APVD: -

PRODUCT SPEC: -

APPLICATION SPEC: -

WEIGHT: -

CUSTOMER DRAWING

Tyco Electronics Corporation  
Harrisburg, Pa 17105-3608

NAME: A7 CARD EDGE CONNECTOR  
(.125 x .250 CENTERS)  
RIGHT ANGLE DIP SOLDER TAILS

SIZE: A1 CAGE CODE: 00779 DRAWING NO: 1437268-6 RESTRICTED TO: -

SCALE: 3:1 SHEET: 2 OF 2 REV: A1