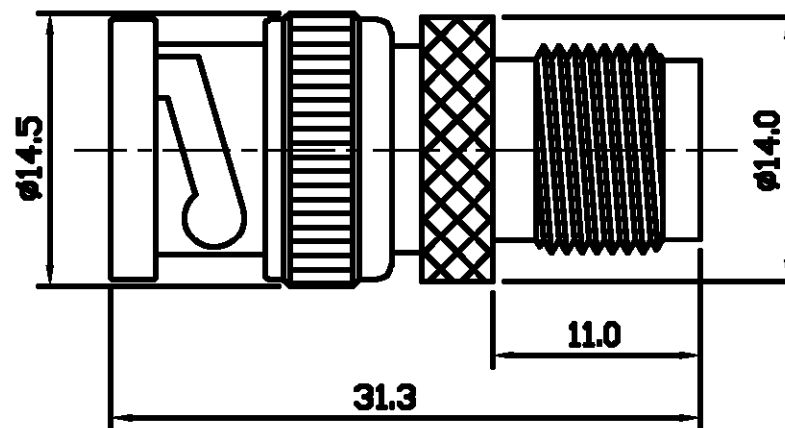


THIS DRAWING IS UNPUBLISHED.

RELEASED FOR PUBLICATION 18.12.00, 18.12.00

© COPYRIGHT 2001 BY TYCO ELECTRONICS CORPORATION. ALL RIGHTS RESERVED.

LOC	DIST	REVISIONS			
P	LTR	DESCRIPTION	DATE	DWN	APVD
E	B	A	RELEASE FOR PRODUCTION	18.12.00	RS RG



ALL DIMENSIONS ARE NOMINAL. FOR REFERENCE ONLY.

DIE SET PART NUMBER	N/A
HANDTOOL PART NUMBER	N/A
FOR USE ON CABLES	N/A
CONNECTOR PLATING DETAIL	NICKEL
CONTACT PLATING DETAIL	GOLD
DIELECTRIC MATERIAL	TEFLON
GASKET MATERIAL	WHITE SILICONE RUBBER

BAG	SINGLE ITEM	1-1478037-0
PACK TYPE	DESCRIPTION	PART NUMBER

THIS DRAWING IS A CONTROLLED DOCUMENT.		DWN R SMITH 18.12.00	Tyco Electronics Corporation Stanmore, Middlesex, HA7 4RS	
DIMENSIONS: MM		CHK R GOODALL 18.12.00	NAME I/SER ADAPTOR BNC P-TNC J 50 OHM	
TOLERANCES UNLESS OTHERWISE SPECIFIED:		APVD R GOODALL 18.12.00	PRODUCT SPEC 108-3435	
0 PLC ± -		APPLICATION SPEC		
1 PLC ± -		SIZE A3		
2 PLC ± -		CAGE CODE 00779		
3 PLC ± -		DRAWING NO C-1478037		
4 PLC ± -		RESTRICTED TO		
ANGLES ± -		SCALE NTS		
MATERIAL	FINISH	WEIGHT		SHEET 1 OF 1
-	-	CUSTOMER DRAWING		REV A