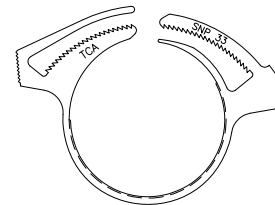
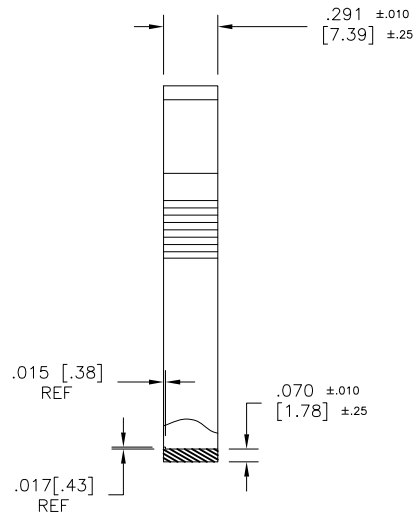
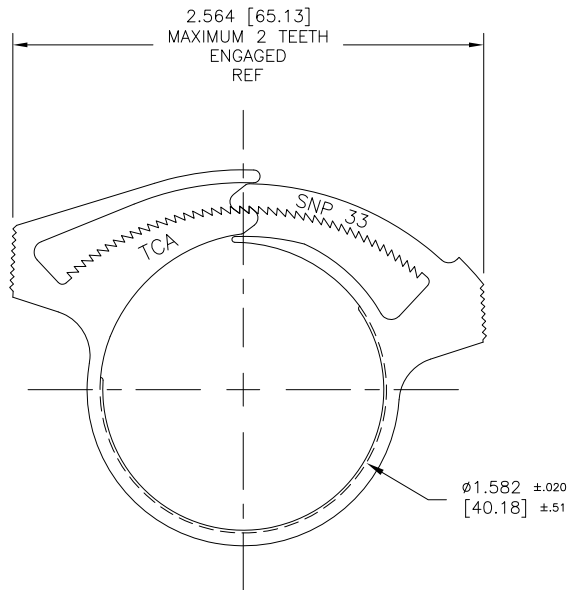


AS MOLDED



AS MOLDED  
FULL SIZE

**HellermannTyton**

ALL PROPRIETARY RIGHTS IN THE SUBJECT MATTER SHOWN ON THIS DRAWING ARE EXCLUSIVE PROPERTY OF HELLERMANNTYTON

| name | date | city, state |
|------|------|-------------|
|      |      |             |
|      |      |             |
|      |      |             |

NOTES

NOTE:

- INSIDE DIAMETERS ARE MEASURED IN THREE PLACES SPACED 120° APART EXCLUDING .015 RIB.
- 44 TOTAL TEETH, 22 TEETH POSITIONS.

REVISION  
level 01  
date 11/24/08  
by AAC  
ECN # 011186  
part level -

DIMENSIONS  
.XXXX=  
.XXX= NOTED  
.XX=  
.X=  
∠=  
unless otherwise specified  
units inches

number SNP3310 phase PRODUCTION  
name  
SNAPPER 33 HOSE CLAMP  
material ACETAL WHITE

| FORMAT               | C version         | P               | CAD      | ACAD     | scale | 2X |
|----------------------|-------------------|-----------------|----------|----------|-------|----|
| computer file number | CP\CST\2033001_01 | previous number |          |          |       |    |
| drawn                | A.A.C.            | checked         | K.A.C.   | approved |       |    |
| date                 | 11/24/08          | date            | 11/24/08 | approved |       |    |
| type                 | CUSTOMER          | sheet           | 1 of 1   |          |       |    |
| number               | CP2033002CST      |                 |          |          |       |    |