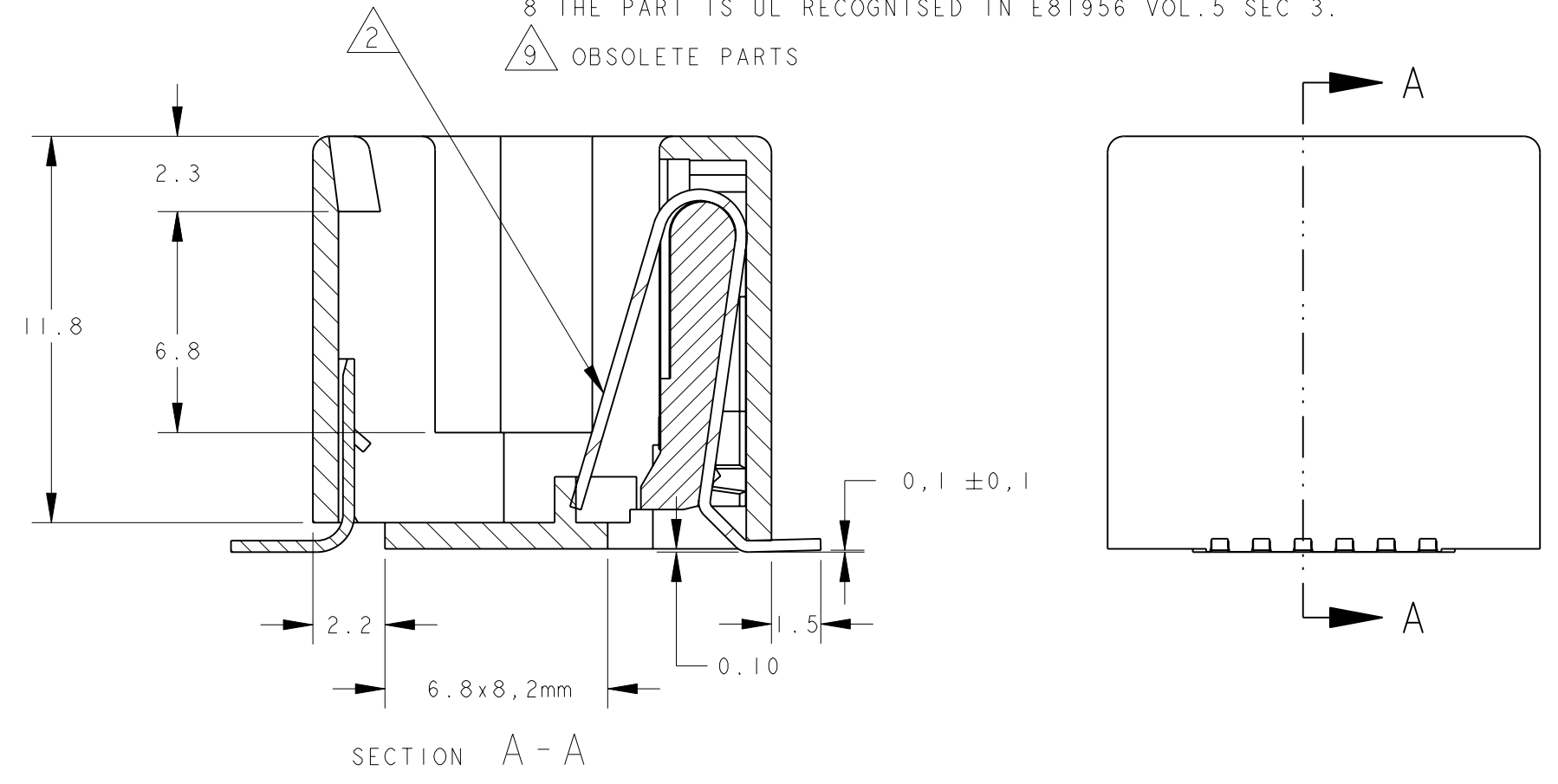
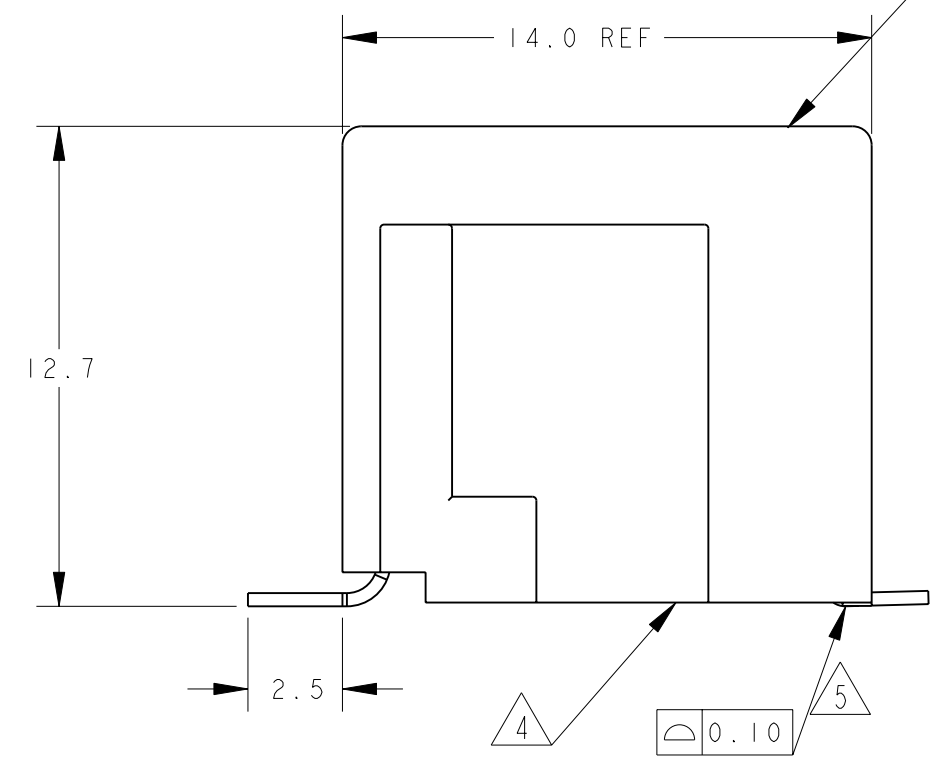
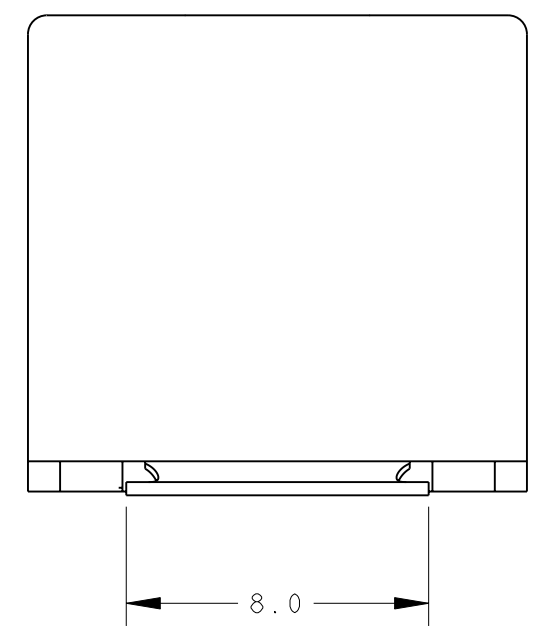
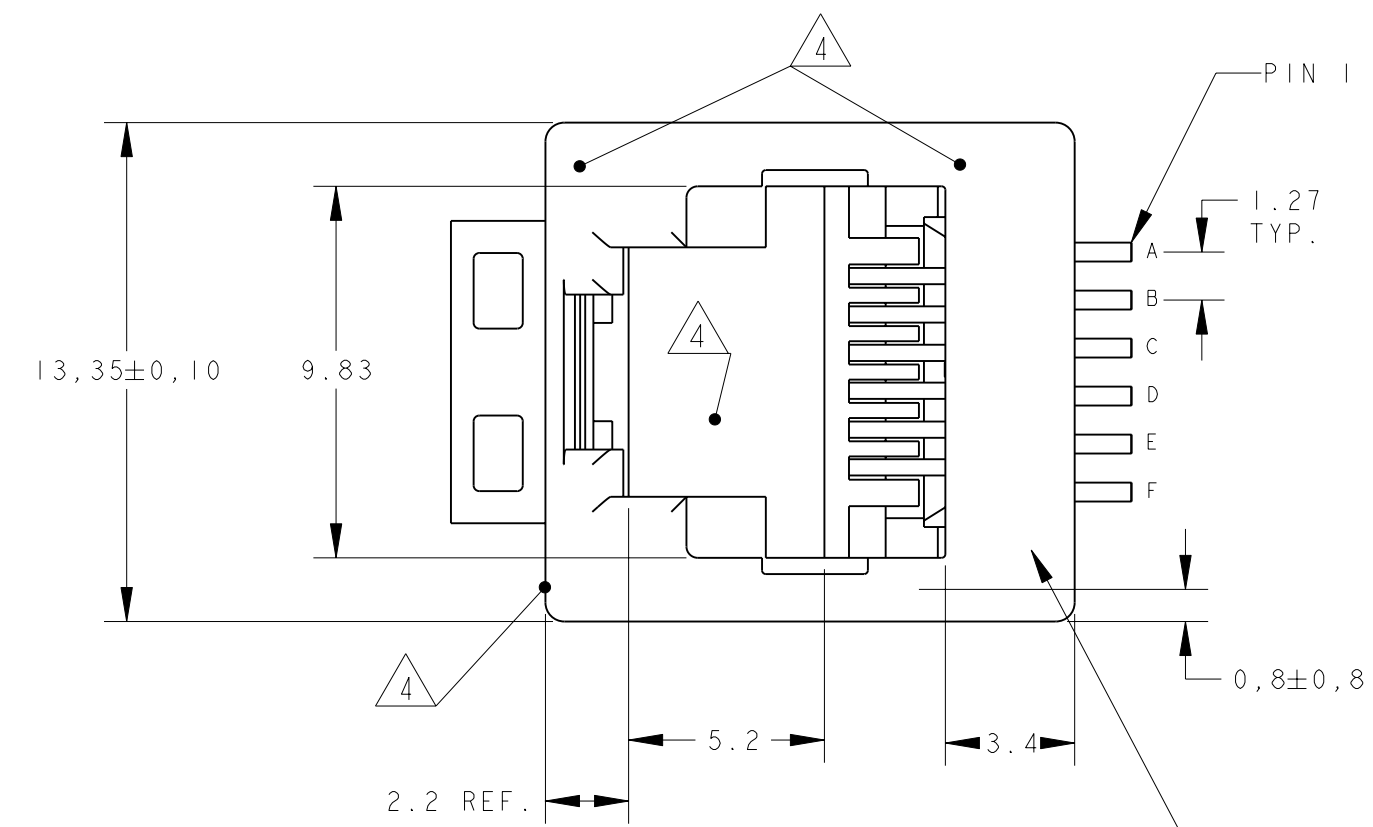
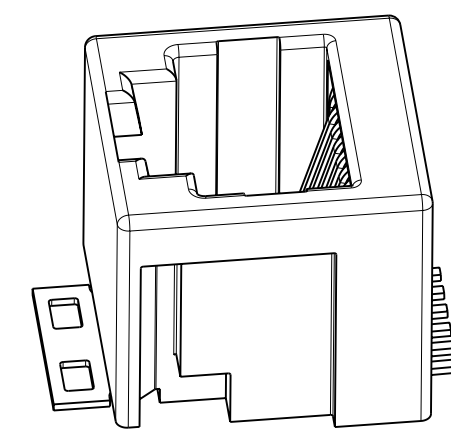


THIS DRAWING IS UNPUBLISHED. RELEASED FOR PUBLICATION
 © COPYRIGHT - ALL RIGHTS RESERVED.

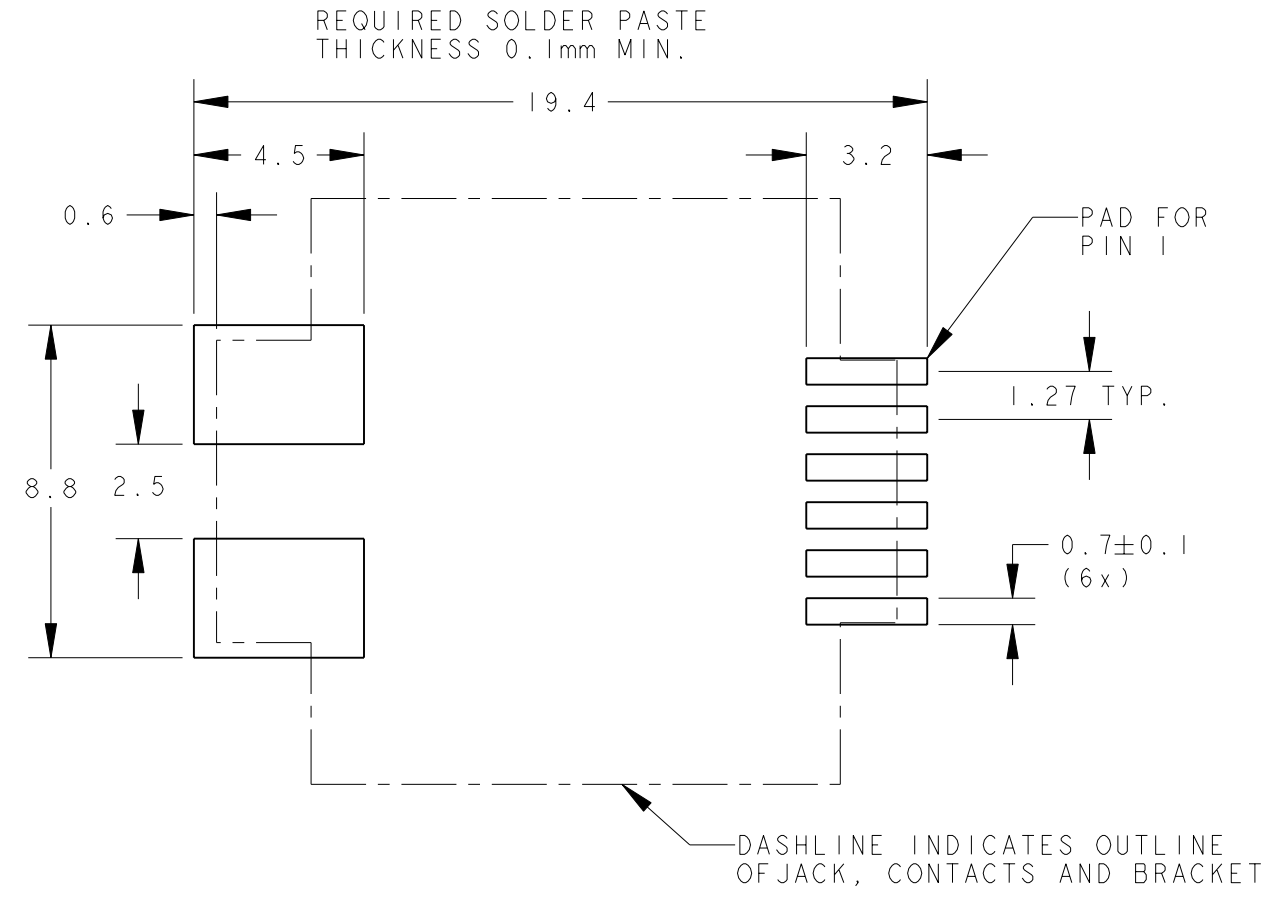
LOC		DIST		REVISIONS			
P	LTR	DESCRIPTION		DATE	DWN	APVD	
IR	-	DI	REVISED PER ECO-11-014257	08NOV2011	KH	PS	
-	-	-	-	-	-	-	
-	-	-	-	-	-	-	
-	-	-	-	-	-	-	

NOTES:

- 1 TOLERANCES UNLESS OTHERWISE SPECIFIED: $\pm 0,15$
- 2 CONTACT PLATING:
 OVERALL: Ni 1.27 μ m MIN. ALL OVER THE CONTACTS
 SOLDER ZONE: Sn 3.5-5.0 μ m ON THE SOLDER ZONE OF THE CONTACT
 MATING ZONE: PLATING CONFIRMS TO PRODUCT REQUIREMENTS AS PER SPECIFICATION 108-19117
- 3 MATERIALS:
 -HOUSING: 30% G.F. PA 9T. COLOR BLACK, UL 94V-0.
 -CONTACTS: PHOSPHOR BRONZE.
 -SOLDER BRACKET: TINPLATED BRASS WITH NICKEL UNDERPLATE.
- 4 SURFACE CAN BE USED FOR PICKING THE MODULAR JACK WITH, TYPE II SMD MACHINE.
- 5 COPLANARITY MEASURED AT HEEL OF CONTACTS.
- 6 TAPE AND REEL PACKAGING ACCORDIND TO EIA 481-3 SPECIFICATIONS.
- 7 CONTACT PLATING:
 0.76 μ m MIN. GOLD SELECTIVE IN CONTACT AREA.
 OVER 1,27 μ m MIN. NICKEL.
 3,5-5,0 μ m MIN. MATTE TIN ON SOLDER TINES.
- 8 THE PART IS UL RECOGNISED IN E81956 VOL.5 SEC 3.
- 9 OBSOLETE PARTS



PRINTED CIRCUIT BOARD LAYOUT

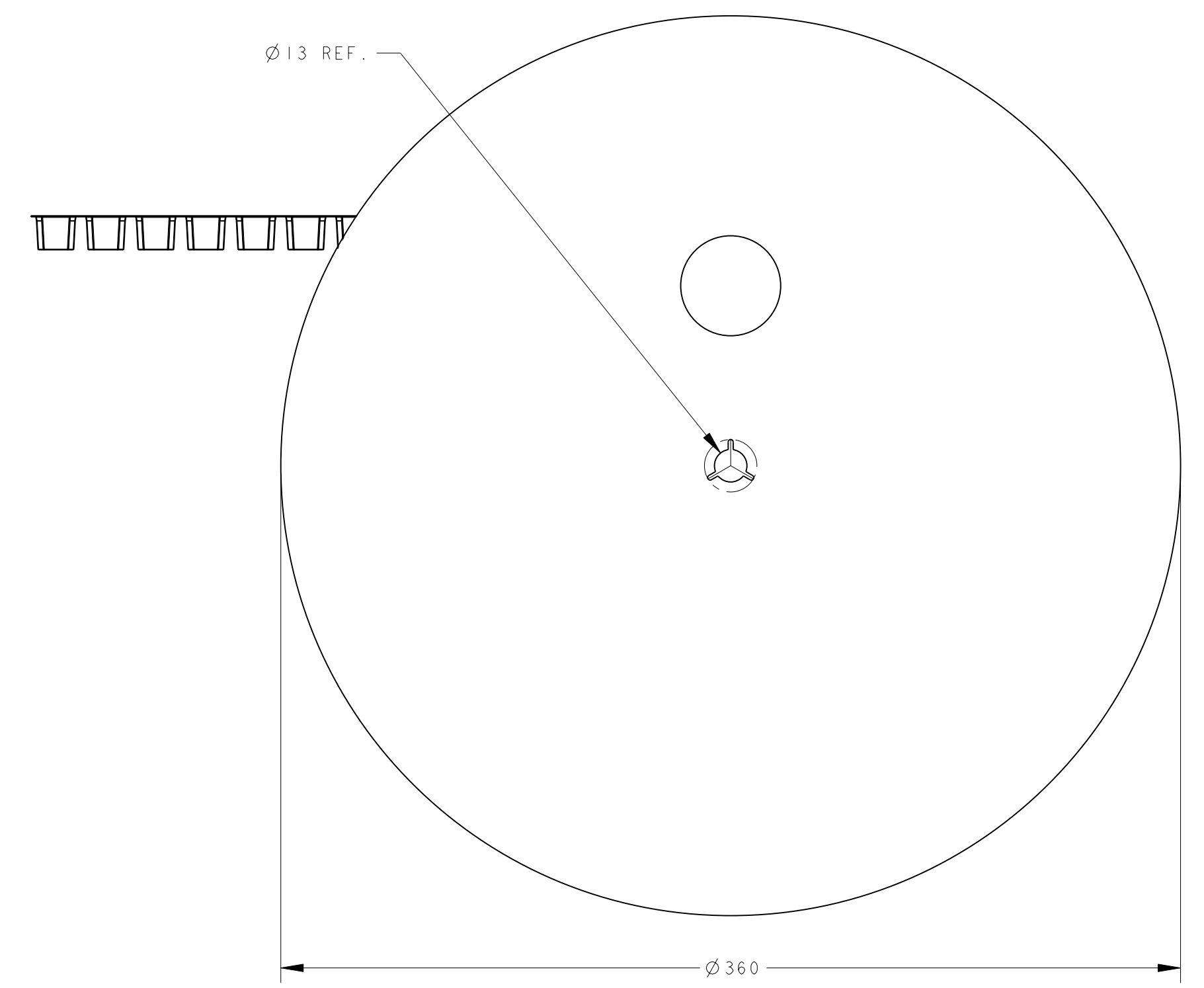
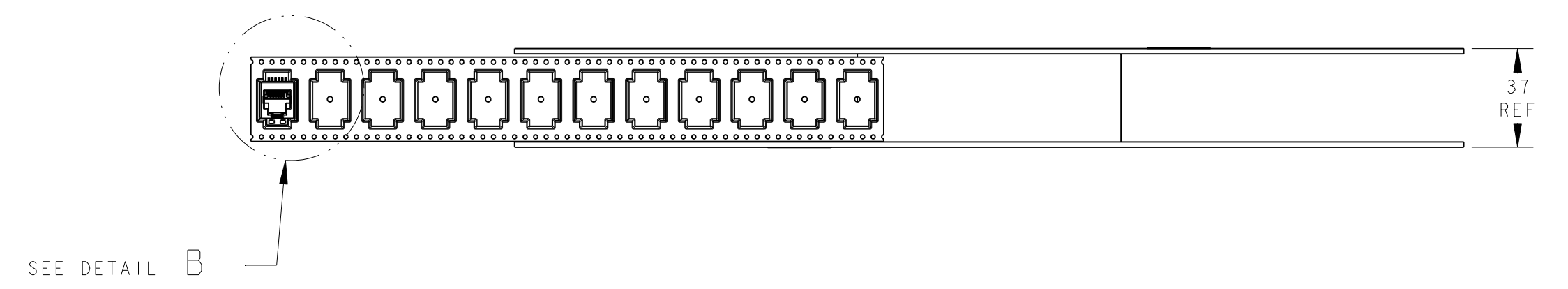
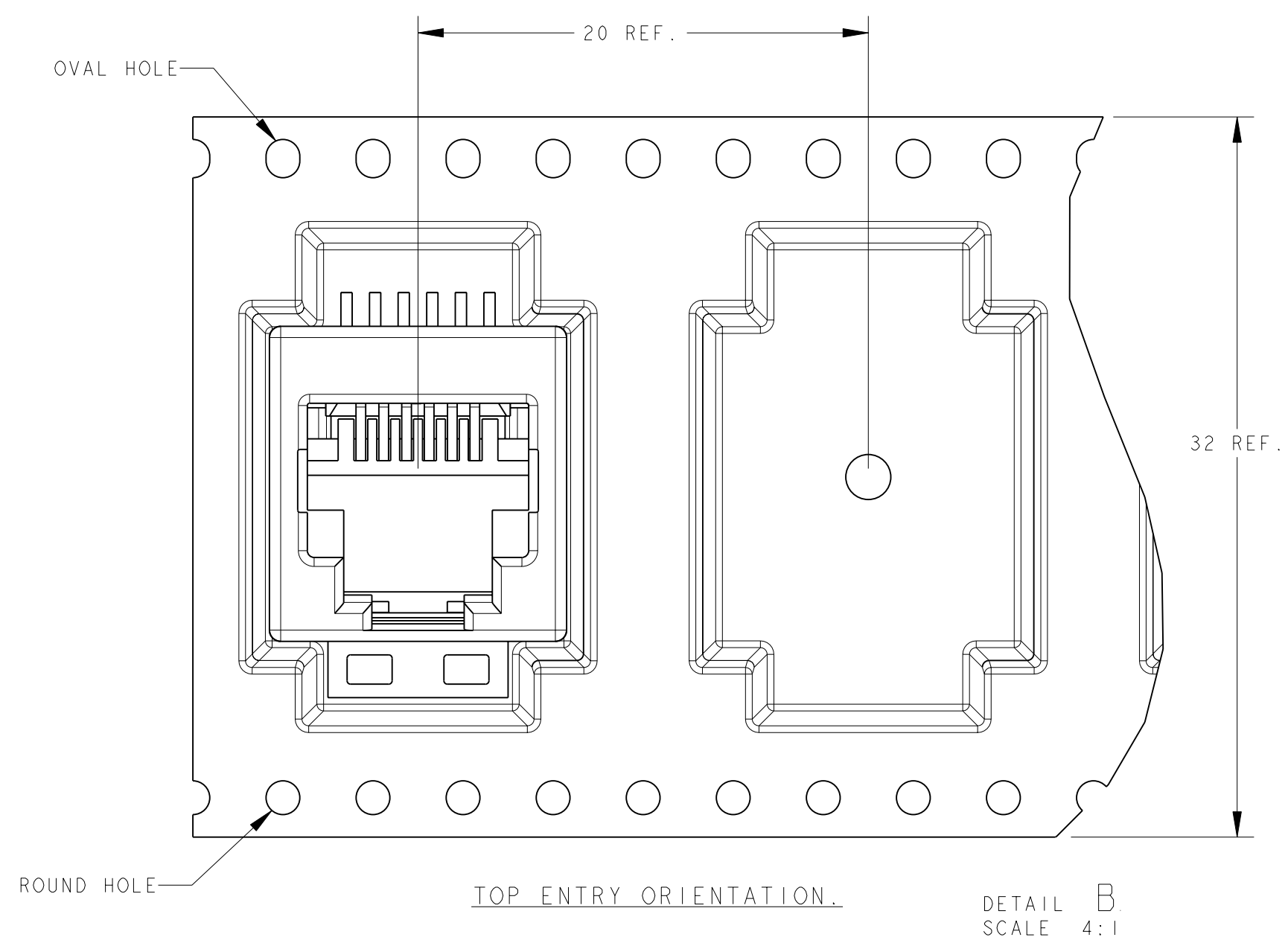


DASHLINE INDICATES OUTLINE OF JACK, CONTACTS AND BRACKET

6 POS./6 CONT.		300 PCS ON \varnothing 360mm OD REEL. TOP ENTRY ORIENTATION PER DETAIL B		1857381-2 1857381-1	
REMARKS		FINISH		PART NUMBER	
THIS DRAWING IS A CONTROLLED DOCUMENT.		DWN 04 NOV 2005 J.V.D.HELJDEN		TE Connectivity	
DIMENSIONS: mm		CHK 04 NOV 2005 M.OPPERS			
TOLERANCES UNLESS OTHERWISE SPECIFIED:		APVD 04 NOV 2005 J.BROEKSTEG.		NAME	
0 PLC ± 0.2		PRODUCT SPEC		MODULAR JACK ON BOARD SMT	
1 PLC ± 0.1		108-19117		6/6 POSITION VERSION.	
2 PLC ± 0.05		APPLICATION SPEC		SIZE	
3 PLC \pm		114-19041		CAGE CODE	
4 PLC \pm		WEIGHT 1,83 gr		DRAWING NO	
ANGLES \pm		CUSTOMER DRAWING		RESTRICTED TO	
FINISH		SCALE 1:1		SHEET 1 OF 2	
SEE NOTE 3.		REV DI			

THIS DRAWING IS UNPUBLISHED. RELEASED FOR PUBLICATION
 © COPYRIGHT - ALL RIGHTS RESERVED.

LOC	DIST	REVISIONS					
IR	-	P	LTR	DESCRIPTION	DATE	DWN	APVD
		-		See sheet 1	-	-	-



THIS DRAWING IS A CONTROLLED DOCUMENT.		DWN 04 NOV 2005 J.V.D. HELJDEN	STE TE Connectivity	
DIMENSIONS: mm		CHK 04 NOV 2005 M. OPPERS		
TOLERANCES UNLESS OTHERWISE SPECIFIED:		APVD 04 NOV 2005 J. BROEKSTEG.	NAME MODULAR JACK ON BOARD SMT 6/6 POSITION VERSION.	
0 PLC ±0.2		PRODUCT SPEC	SIZE	CAGE CODE
1 PLC ±0.1		APPLICATION SPEC	A2	DRAWING NO
2 PLC ±0.05		WEIGHT	C=1857381	
3 PLC ±		RESTRICTED TO	-	
4 PLC ±		CUSTOMER DRAWING	SCALE 1:1	SHEET 2 OF 2
ANGLES ±				REV D1
FINISH				