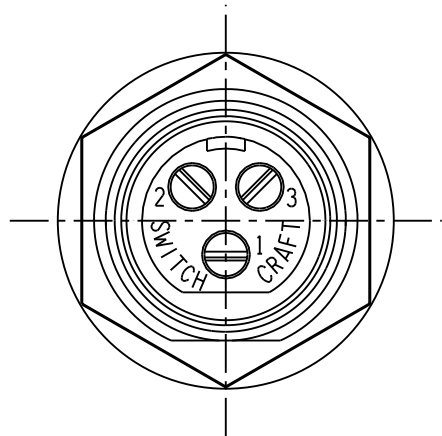
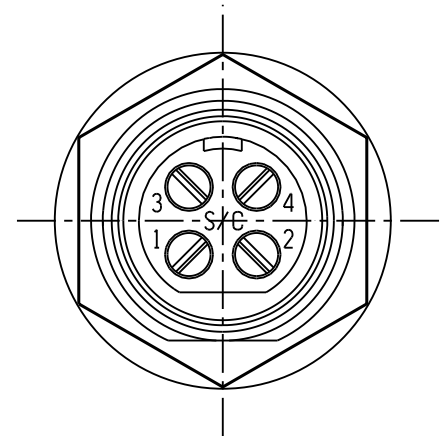


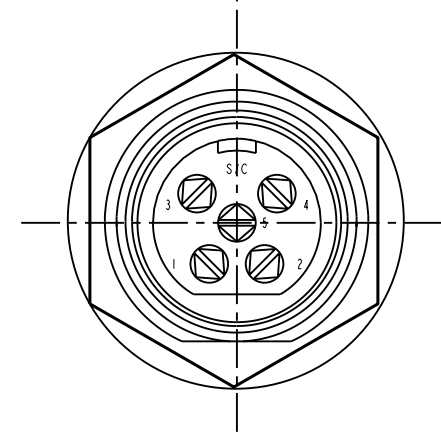
SL172FX  
2 PIN



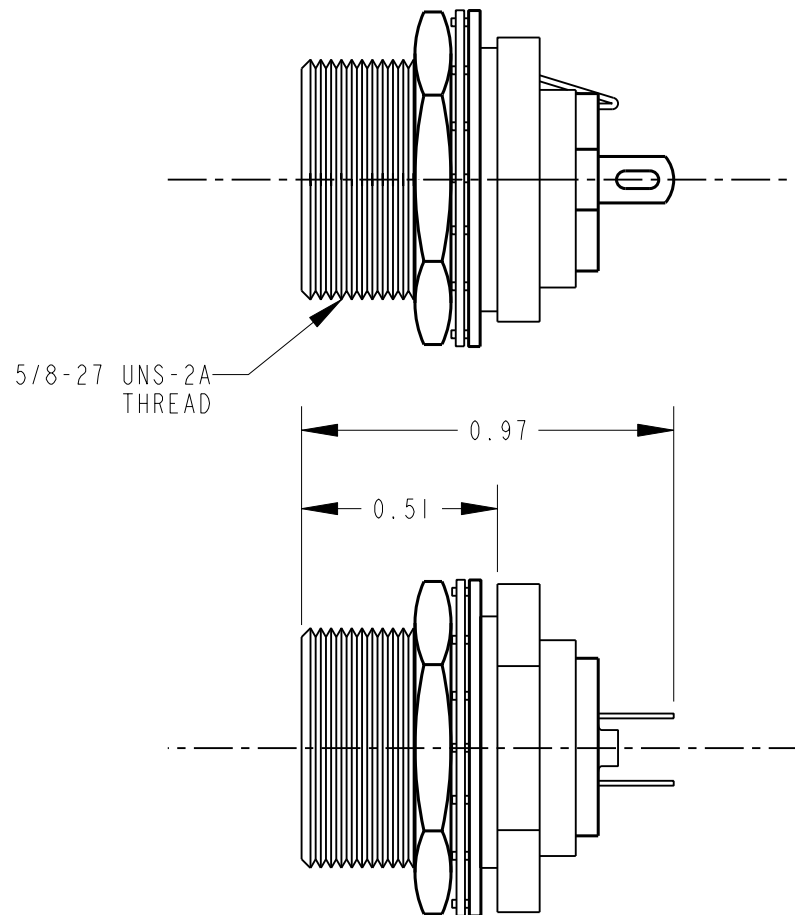
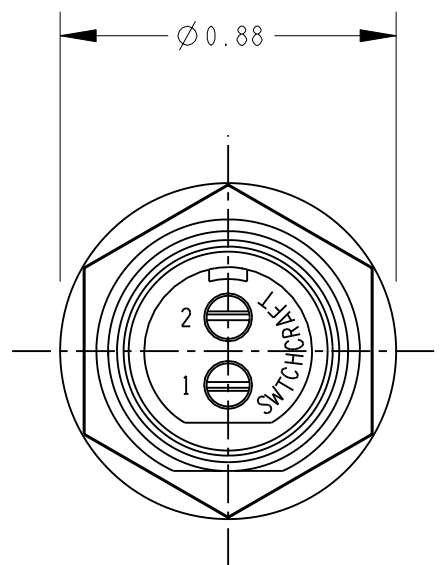
SL173FX  
3 PIN



SL174FX  
4 PIN



SL175FX  
5PIN



| PART NUMBER | NUMBER OF CONTACTS |
|-------------|--------------------|
| SL172FX     | 2                  |
| SL173FX     | 3                  |
| SL174FX     | 4                  |
| SL175FX     | 5                  |

NOTES:

- MATERIALS:  
HOUSING - ZINC ALLOY, NICKEL PLATED  
INSULATOR - THERMOPLASTIC, BLACK  
CONTACTS - COPPER ALLOY, SILVER PLATED  
LATCH - STEEL, NICKEL PLATED  
HEXNUT - BRASS, NICKEL PLATED  
LOCKWASHER - STEEL, NICKEL PLATED  
FLAT WASHER - STEEL, NICKEL PLATED
- HOUSING, INSULATOR ASSEMBLY AND HARDWARE SHIPPED UNASSEMBLED.
- THESE PRODUCTS ARE RoHS COMPLIANT.

CUSTOMER DRAWING

| REV       | ECO NUMBER | DATE    | BY | APVD |
|-----------|------------|---------|----|------|
| A         | 26150      | 9-15-06 | TO | TJK  |
| REVISIONS |            |         |    |      |

- ★ STAR SYMBOL DENOTES CRITICAL DIMENSION
- UNLESS OTHERWISE SPECIFIED
- 1. ALL DIMENSIONS IN INCHES  
- TWO PLACE DECIMALS ±0.01  
- THREE PLACE DECIMALS ±0.005  
- ANGLES ±1°  
- ALL DIA. CONCENTRIC WITHIN 0.005 T.I.R.
- 2. FEATURES ON THE SAME CENTERLINE MUST BE ALIGNED WITHIN ±0.002
- 3. REMOVE ALL BURRS

DO NOT SCALE DRAWING

|  |       |          |                |        |
|--|-------|----------|----------------|--------|
| THIS DRAWING DESCRIBES A DESIGN CONSIDERED PROPRIETARY IN NATURE, DEVELOPED AND MANUFACTURED BY SWITCHCRAFT INC. AND IS RELEASED ON A CONFIDENTIAL BASIS FOR IDENTIFICATION PURPOSES ONLY. |       |          |                |        |
| SIZE   | WIDTH | MULT     | LBS/M          | TEMPER |
| FINISH   |       | MATERIAL |                |        |
| SPEC No.   |       | SPEC No. |                |        |
| FIRST USED ON  |       | SCALE    |                |        |
|  |       | NONE     |                |        |
| DATE DRAWN   | BY    | CHKD     | APVD           |        |
| 07-Jan-11  | TO    | TO       | TJK            |        |
|  |       | 1-6-11   | 1-10-11        |        |
| NAME   |       |          | PART No.       | REV    |
| SLIM-LINE FEMALE REAR PANEL MOUNT RECEPTACLE, RoHS   |       |          | SL17_FX SERIES | A      |

**Switchcraft**

SHEET 1 OF 1