

MODEL:

# SR42UBDP

## SmartRack® Deep Rack Enclosure



42 Rack Units



3000 lb.  
Stationary  
Load Capacity



2250 lb.  
Rolling  
Load Capacity



Heavy-Duty  
Casters



Locking Doors &  
Side Panels



Standard  
19-inch  
Rack Width



Toolless  
Mounting Slots



Adjustable  
Rails with  
Easy-View  
Depth Index



Airflow  
Exceeds  
Server OEM  
Requirements



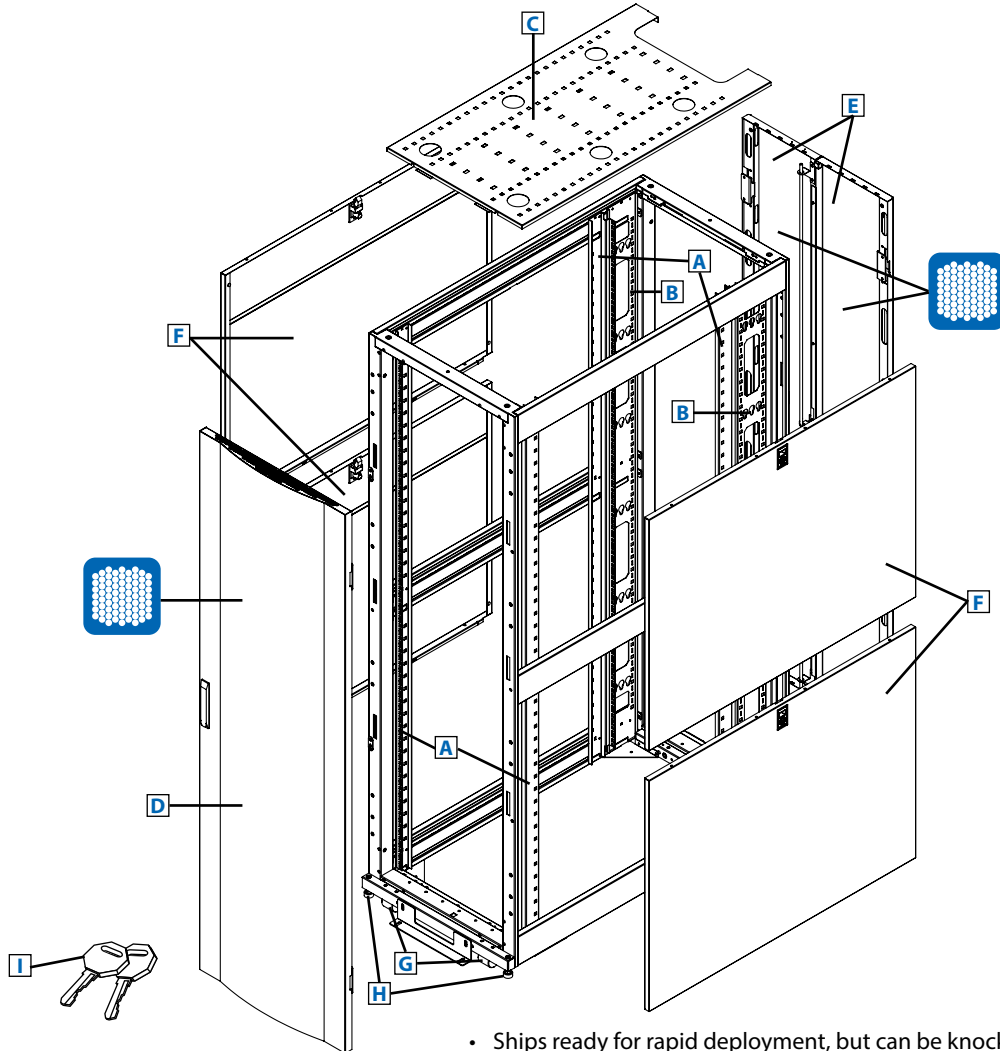
Integrated  
Baying Tabs



Square Hole  
Mounting

- A** Adjustable Mounting Rails
- B** Adjustable PDU Mounting Rails with Toolless Mounting Slots
- C** Roof Panel (Removable)
- D** Front Door (Lockable/Removable/Reversible)
- E** Split Rear Doors (Lockable/Removable)
- F** Side Panels (Lockable/Removable)
- G** Heavy-Duty Casters
- H** Heavy-Duty Levelers
- I** Keys (For doors and side panels.)

Also Includes: Owner's manual, 2 stabilizing brackets and rackmount equipment mounting hardware (50 cage nuts, 50 mounting screws, 50 nylon cup washers).



- Ships ready for rapid deployment, but can be knocked down for easy reassembly in confined spaces
- Modular design optimized for quick configuration and reconfiguration
- Ideal for rackmount server, network and telecom applications

**SEE NEXT PAGE FOR DETAILED UNIT MEASUREMENTS**



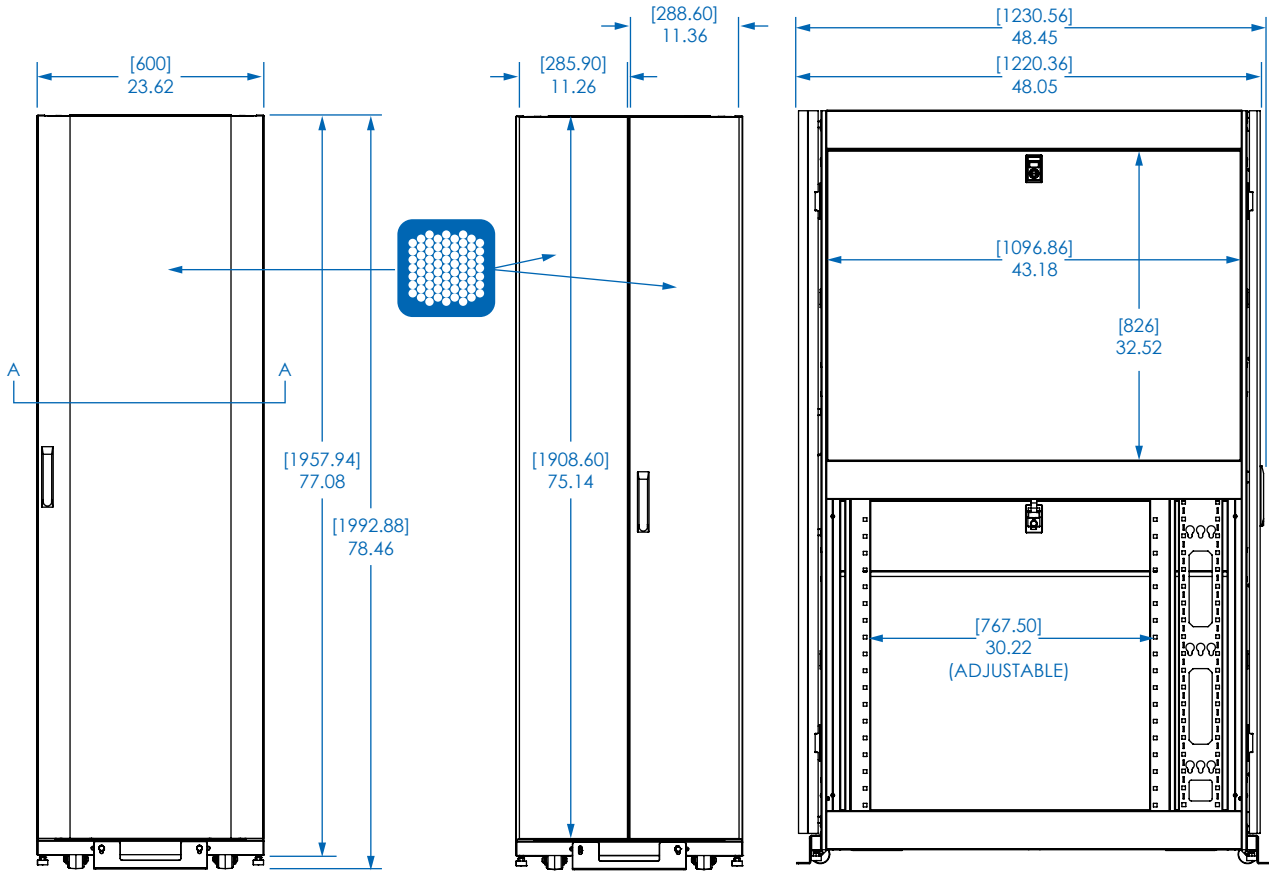
1111 W. 35th Street  
Chicago, IL 60609 USA  
773.869.1234  
www.tripplite.com



### Specifications

Model	SR42UBDP
Rack Spaces	42U
Stationary Load Rating	3000 lb. (1363 kg)
Rolling Load Rating	2250 lb. (1022 kg)
Unit Dimensions (H x W x D)	78.5 x 23.62 x 48 in. (1993 x 600 x 1220 mm)
Shipping Dimensions (H x W x D)	84.5 x 33.75 x 52.75 in. (2146 x 857 x 1340 mm)
Unit Weight	315 lb. (143 kg)
Shipping Weight	345 lb. (157 kg)
Certifications	UL 60950, IEC 60297-3-100, DIN 41494, IP20, TIA/EIA-310-D (Accommodates all standard 19-inch rackmount equipment regardless of vendor.)

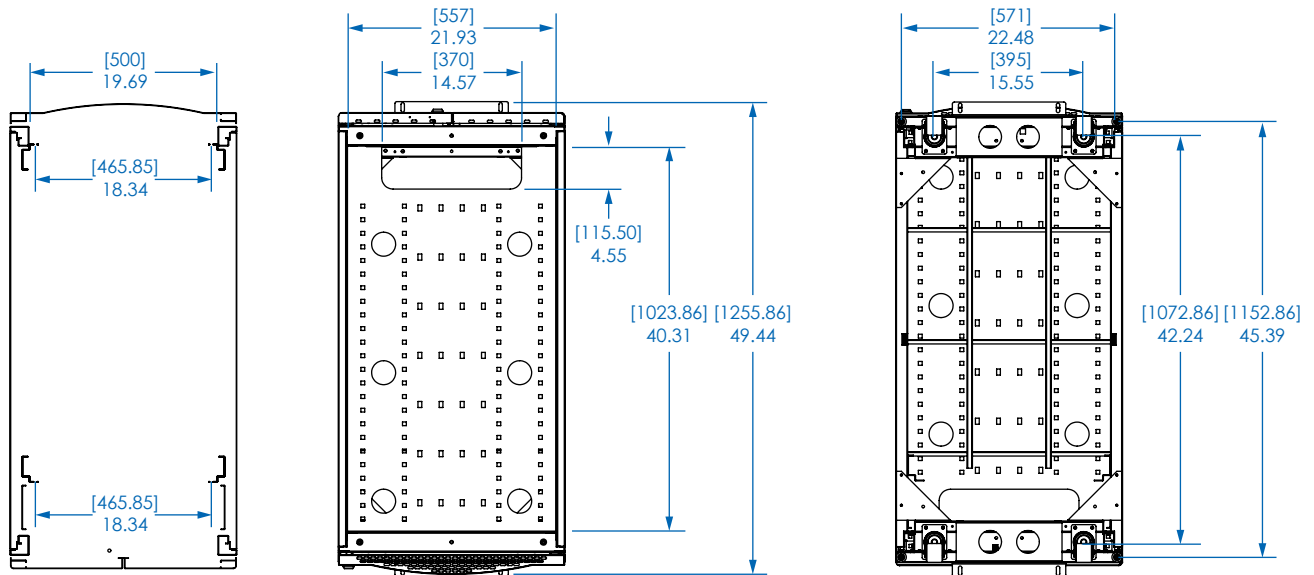
Tripp Lite has a policy of continuous improvement. Specifications are subject to change without notice.



FRONT VIEW

REAR VIEW

SIDE VIEW



CROSS SECTION A

TOP VIEW

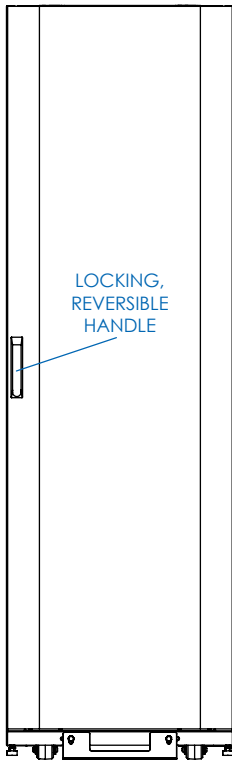
BOTTOM VIEW

MODEL:  
**SR42UBDP**

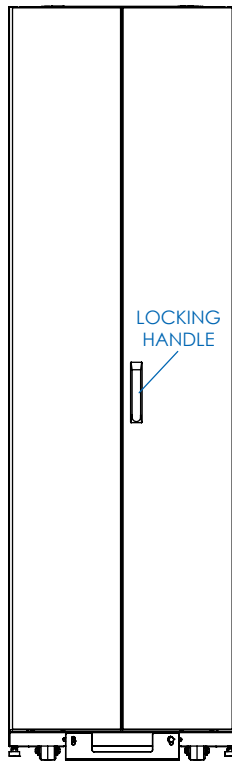


Dimensions: [mm] INCHES

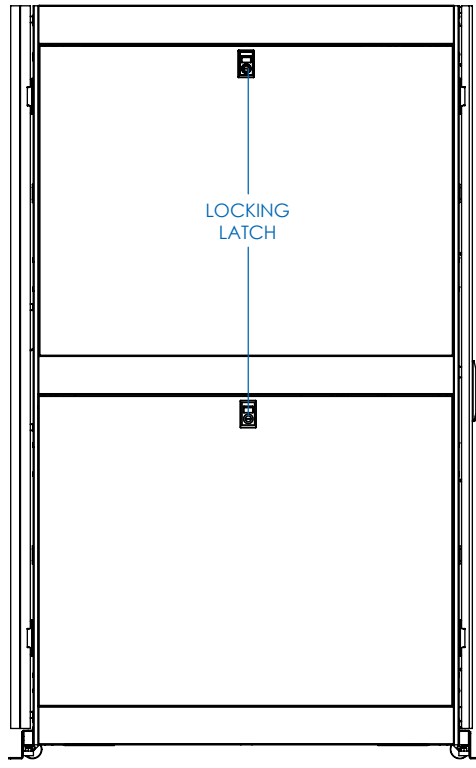
Tripp Lite has a policy of continuous improvement. Specifications are subject to change without notice.



FRONT VIEW



REAR VIEW



SIDE VIEW

Dimensions: [mm] INCHES

Tripp Lite has a policy of continuous improvement. Specifications are subject to change without notice.

MODEL:  
**SR42UBDP**  
**TRIPP·LITE**

1111 W. 35th Street  
Chicago, IL 60609 USA  
773.869.1234  
[www.triplite.com](http://www.triplite.com)