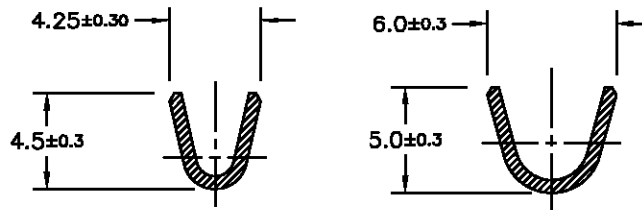
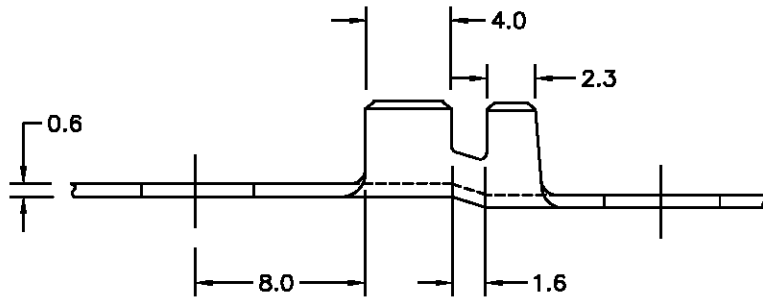
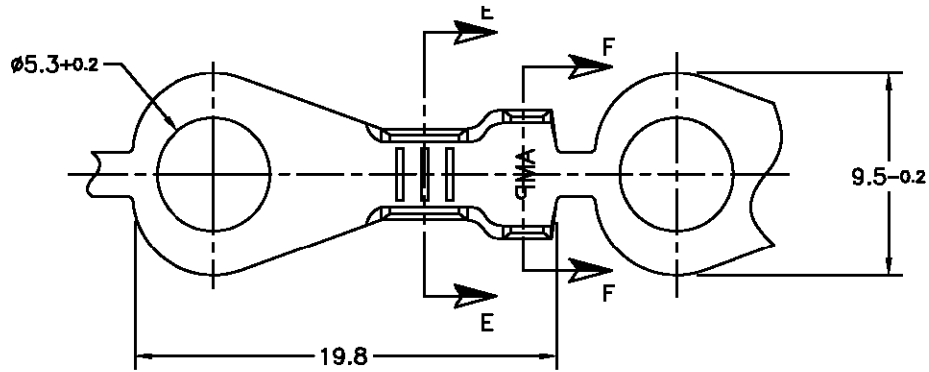




LOC	DIST	REVISIONS					
AP	-	P	LTR LT	DESCRIPTION DESCRIÇÃO	DATE DATA	DWN DES	APVD APR
		E1		REVISED BY ECLB0431/01	01OCT01	AP	PLF
		E2		REVISED PER ECO-10-000445	09JAN10	KK	AEG



SECTION E-E

SECTION F-F

- ① - REBOBINAR COM PAPEL INTERCALADO. ① - RE-REELING WITH PAPER INTERLEAVE.
- ② - OBSOLETE PARTS: OBSOLETE CIS STREAMLINING PER D.RENAUD/D.SINISI

WIRE RANGE 1,0 - 2,5mm ²	ESTANHADO / TIN PLATED	LATÃO / BRASS	E	626033-5 Δ
	ESTANHADO / TIN PLATED	BRONZE FOSFOROSO / PHOSP. BRONZE	E	626033-4
	-----/-----	BRONZE FOSFOROSO / PHOSP. BRONZE	E	626033-3 Δ
INSULATION RANGE Ø2,2 - 3,8mm	ESTANHADO / TIN PLATED	LATÃO / BRASS	E	626033-2
	-----/-----	LATÃO / BRASS	E	626033-1
	FINISH	MATERIAL	PART REV	PART NUMBER

THIS DRAWING IS UNPUBLISHED. COPYRIGHT 19 BY AMP INCORPORATED.

DIMENSIONS: DIMENSÕES MM	DWN/DES A.PERUSSI	02OCT2001	MATERIAL	SEE TABLE	FINISH ACABAMENTO	SEE TABLE
	CHK/CH P.L.FARIA	01OCT2001	<div style="text-align: center;"> <p>AMP do BRASIL Ltda. São Paulo - Brasil</p> </div>			
TOLERANCES UNLESS OTHERWISE SPECIFIED: TOLERÂNCIA NÃO ESPECIFICADAS	APVD/APR L.W.PRADO	01OCT2001				
0 PLC/DEC ± - 1 PLC/DEC ± 0.3 2 PLC/DEC ± - 3 PLC/DEC ± - 4 PLC/DEC ± - ANGLES/ANGULARES ± 1°	PRODUCT SPEC -/-		NAME DESCRIÇÃO	RING TONGUE		
	APPLICATION SPEC -/-		SIZE	CAGE CODE	DRAWING NO DESENHO NO	RESTRICTED TO
	WEIGHT -/-		A4	00779	626033	-/-
CUSTOMER DRAWING/DESENHO DE CLIENTE			SCALE ESCALA	3:1	SHEET FOLHA	1 OF 1 DE 1
					REV	E2