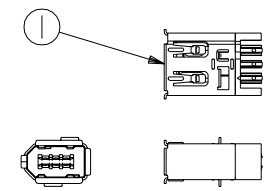


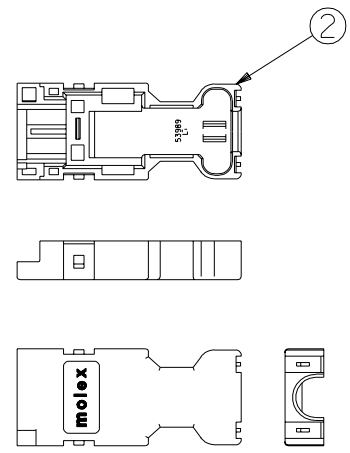
DWG. NO. SD-54280-008

部品構成  
PARTS CONSTRUCTION

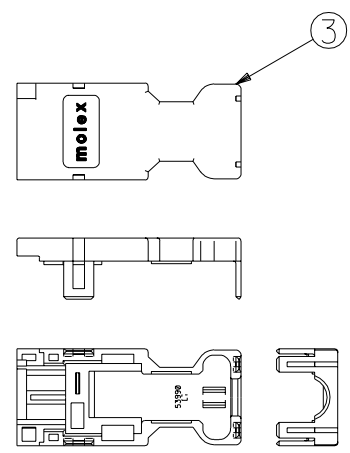
部番 NO.	部品名 PART NAME	製品番号 ENG. NO.	個数 QUAN.	材質 MATERIAL
①	ハウジングアッセンブリ HOUSING ASS'Y	53988-0619	1	ハウジング：ガラス入り耐熱樹脂 UL94V-0 色：黒 HOUSING : G.F. HEAT RESISTANT PLASTIC UL94V-0 COLOR : BLACK ターミナル：りん青銅 t0.3 TERMINAL : PHOSPHOR BRONZE t0.3 メッキ仕様 接点部：ニッケル下地金メッキ PLATING CONTACT AREA : GOLD OVER NICKEL 結線部：ニッケル下地錫メッキ WIRE TERMINATION AREA : TIN OVER NICKEL シエル：りん青銅 t0.4 SHELL : PHOSPHOR BRONZE t0.4 メッキ仕様 ニッケル下地錫メッキ PLATING TIN OVER NICKEL
②	カバー A COVER A	53989-0605	1	ガラス入りポリカーボネイト樹脂 UL94V-0 色：グレー POLYCARBONATE G.F. UL94V-0 COLOR : GRAY
③	カバー B COVER B	53990-0605	1	
④	シエル カバー SHELL COVER	58302-0628	1	鋼 t0.4 STEEL t0.4 メッキ仕様：ニッケル下地、錫メッキ PLATING : NICKEL BASE, TIN PLATING
⑤	ケーブルクランプ CABLE CLAMP	58303-0000	1	ステンレス鋼 STAINLESS STEEL
⑥	十字穴付きなべ小ネジ CROSS RECESSED PAN HEAD MACHINE SCREW	59832-0009	2	黄銅(ネジサイズ：M2X4) BRASS (SCREW SIZE : M2X4)



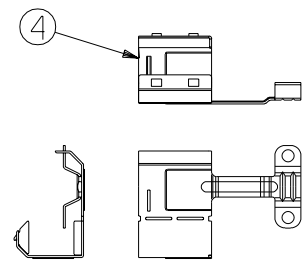
HOUSING ASS'Y



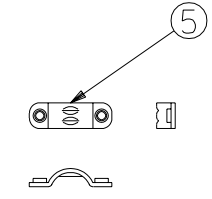
COVER A



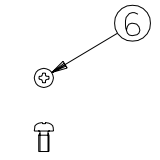
COVER B



SHELL COVER



CABLE CLAMP



SCREW

54280-0609  
MATERIAL No.

角度 ANGLE	±3°	材料 MATERIAL	注参照 SEE NOTES	MOLEX-JAPAN CO.,LTD. 日本モレックス株式会社
30 以上 OVER	+0.3	仕上げ FINISH	注参照 SEE NOTES	
10 以上 OVER 30 未満 UNDER	+0.25	適用電線範囲 WIRE RANGE	— # —	REVISE ONLY ON CAD SYSTEM
10 未満 UNDER	+0.2	被覆外径 INS. RANGE	— # —	TITLE 名称 2.0 mm PITCH I/O CONN.
一般公差 GENERAL TOLERANCES		DRAWN BY '04/05/18	CHK'D BY '04/05/18	SOCKET SET -LEAD FREE-
記号 LTR	変更内容 REVISION RECORD	DR. '04/05/18	DATE	DWG. NO.
		M.S.		SD-54280-008
		Y.U.		REV
		CHK.		0

:MM DIMENSIONS IN METRIC DO NOT SCALE DRAWING

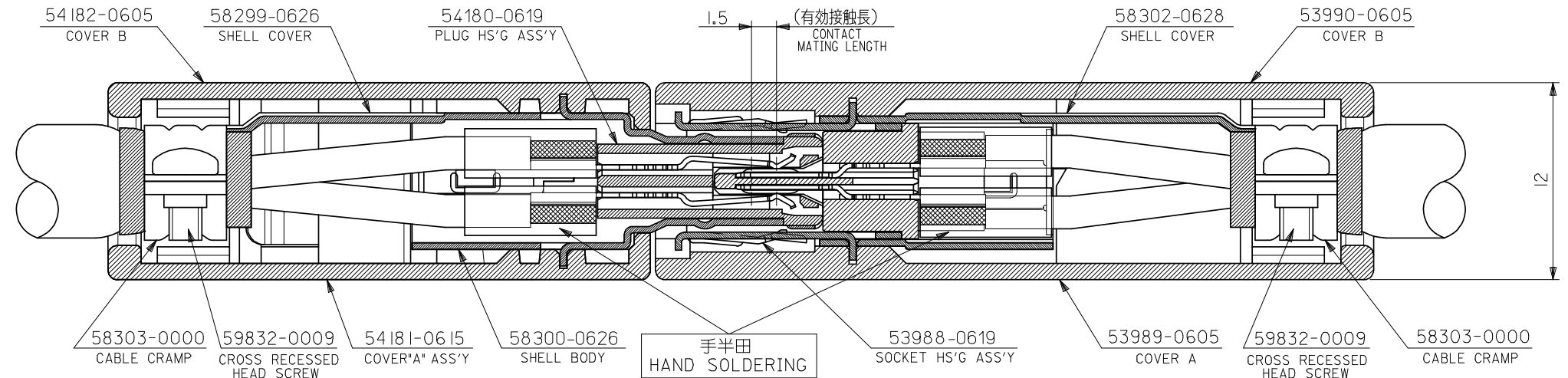
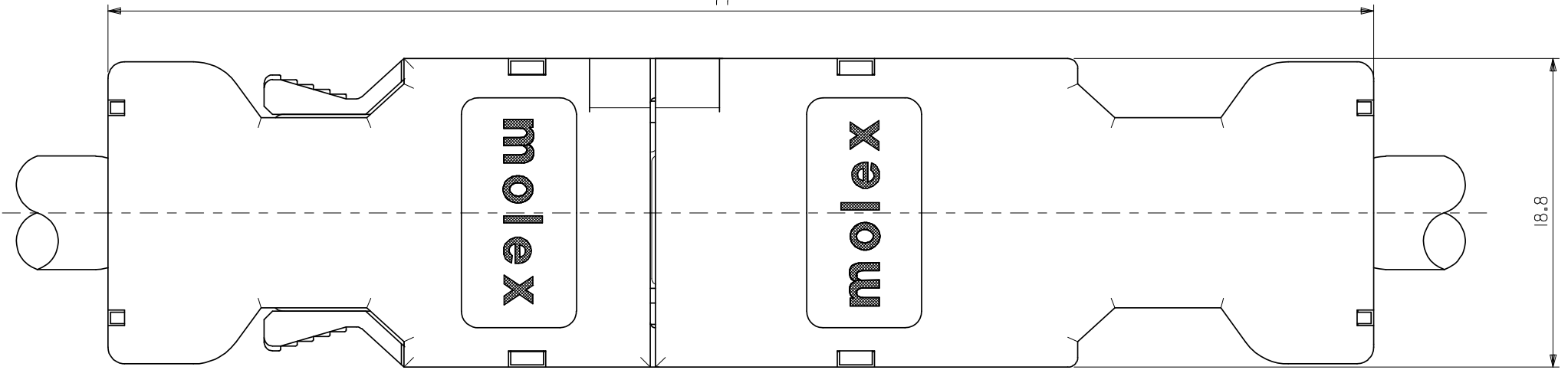
SD-54280-008.S01

プラグ側 (55100-0670)  
PLUG SIDE

ソケット側 (54280-0609)  
SOCKET SIDE

77

18.8



注記  
NOTE

1. 本製品は 55100-0600, 54280-0600 の鉛フリー品である。  
THIS PRODUCT IS LEAD FREE OF 55100-0600 AND 54280-0600.

RELEASED EC NO: J2008-3560 DRWN: NABEI 2008/04/09 CHKD: MISOGAYA 2008/04/10 APPR: NUKITA 2008/04/11 REV 0	GENERAL TOLERANCES (UNLESS SPECIFIED)		DIMENSION STYLE MM ONLY		SCALE 4:1	DESIGN UNITS METRIC	THIRD ANGLE PROJECTION
	10 UNDER	± ---	DRAWN BY M. NABEI	DATE '08/04/07	TITLE 2.0 I/O CONN. CROSS-SECT. VIEW OF MATED CONNECTORS -LEAD FREE-		
	10 OVER 30 UNDER	± ---	CHECKED BY M. ISOGAYA	DATE '08/04/07			
	30 OVER	± ---	APPROVED BY N. UKITA	DATE '08/04/07	MOLEX MOLEX INCORPORATED DOCUMENT NO. SD-54280-011 SHEET NO. 1 OF 1		
	ANGULAR	± --- °	MATERIAL NO. SEE IN FIGURE				
DRAFT WHERE APPLICABLE MUST REMAIN WITHIN DIMENSIONS		SIZE A3		THIS DRAWING CONTAINS INFORMATION THAT IS PROPRIETARY TO MOLEX INCORPORATED AND SHOULD NOT BE USED WITHOUT WRITTEN PERMISSION			