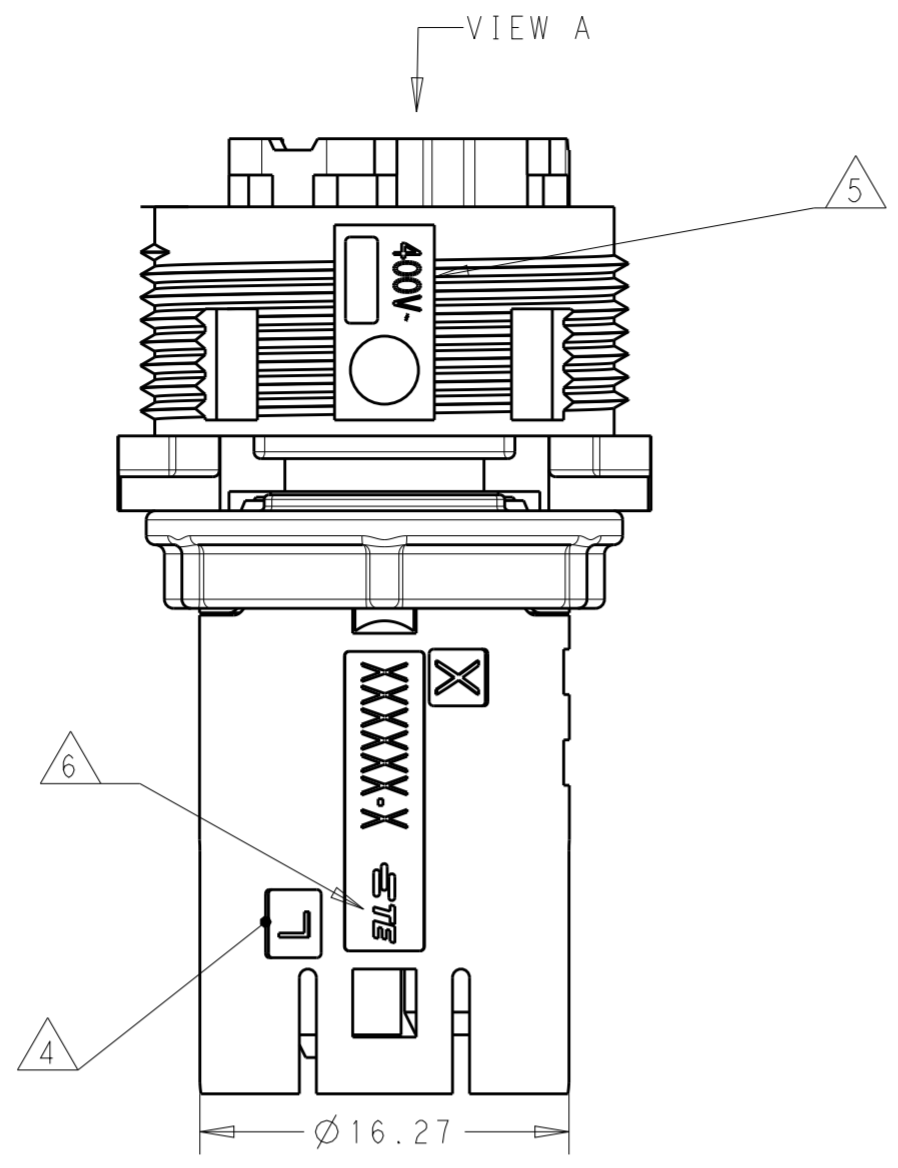
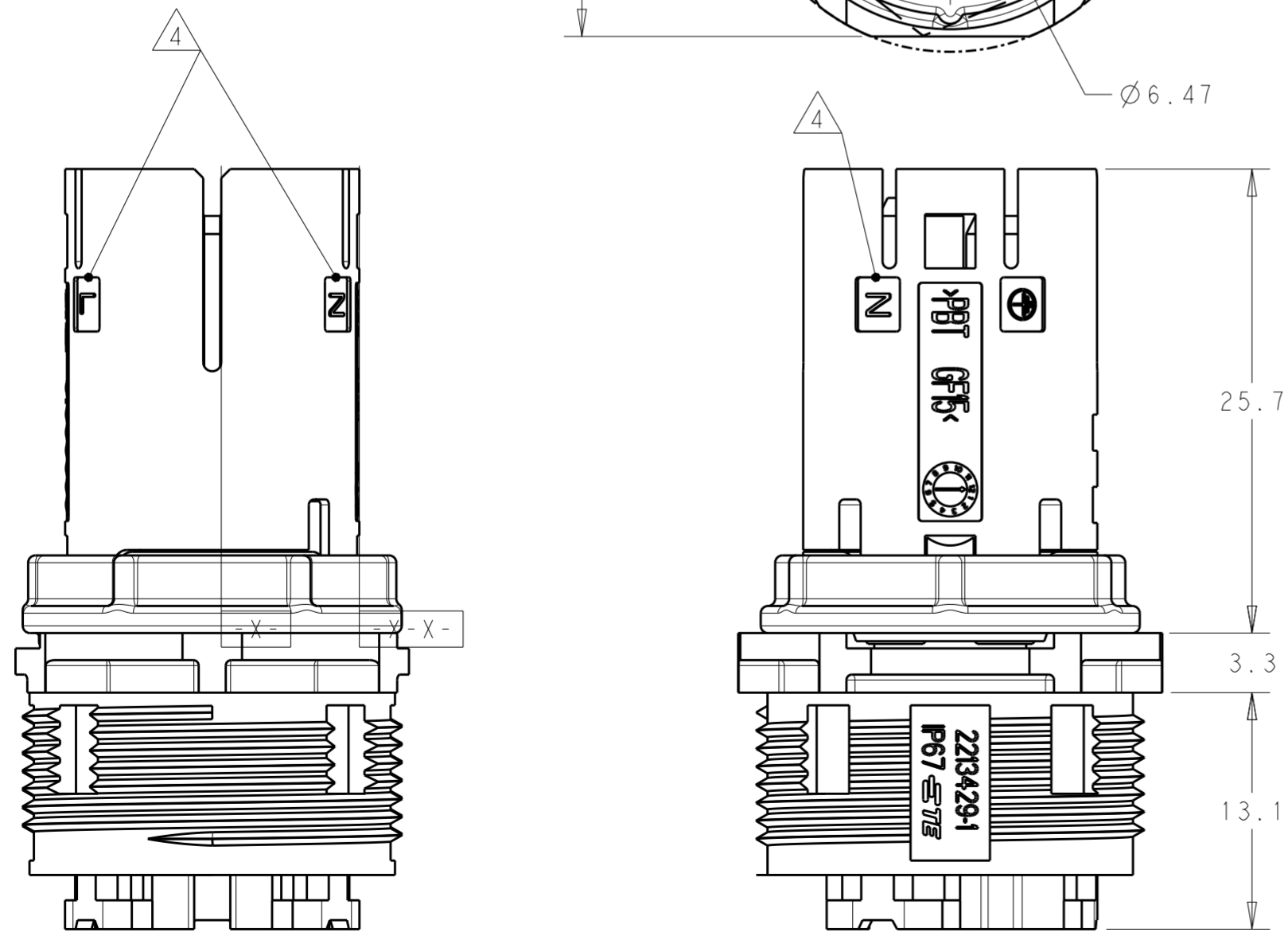
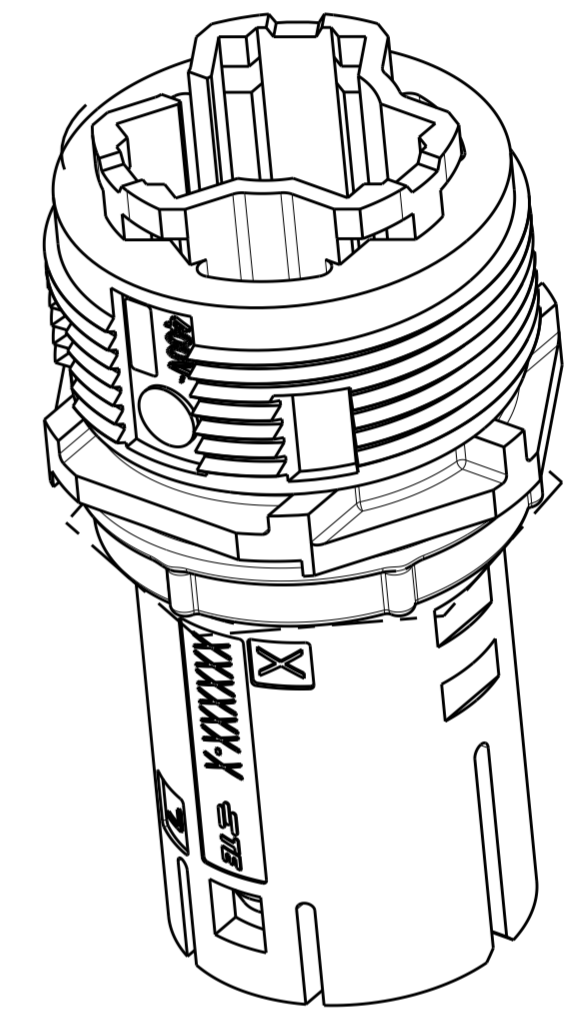
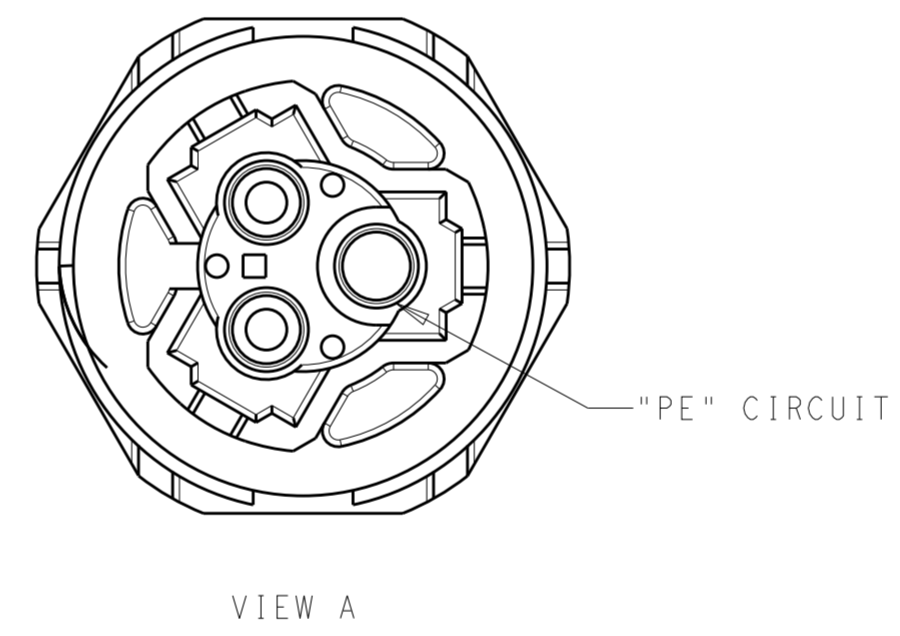
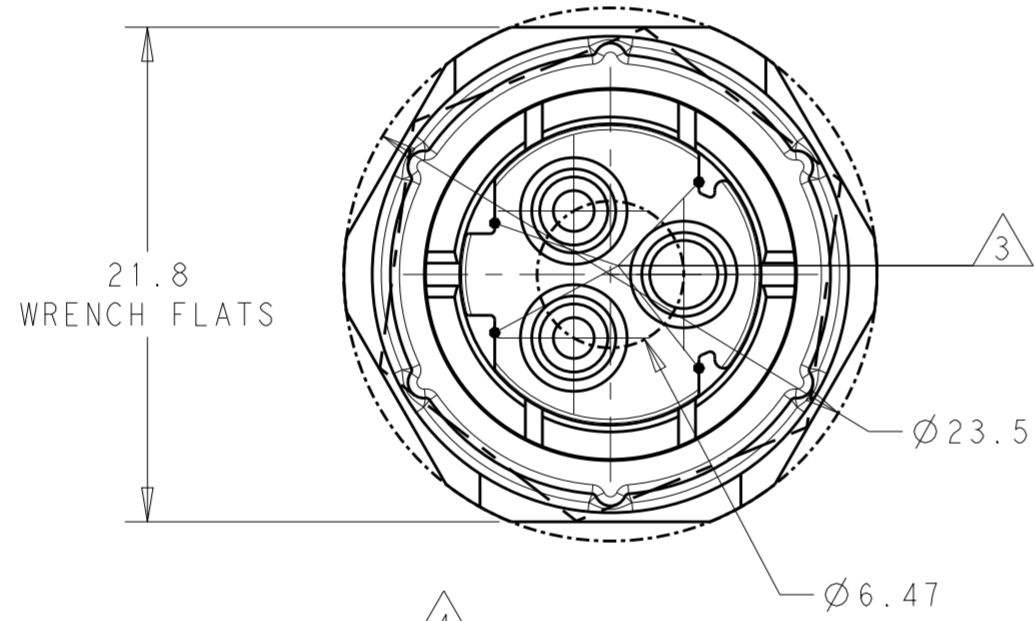


REVISIONS				
P	LTR	DESCRIPTION	DATE	APVD
	A	REVISED AS PER ECR-15-005925	21APR2015	RS JL



- NOTES:
- MATERIAL: GLASS FILLED PBT, COLOR: BLACK
  - MUST COMPLY WITH DIRECTIVE 2002/95/EC (ROHS)
  - ALL POLARIZATION KEYS SHOWN FOR REF ONLY.
  - CIRCUIT I.D.
  - VOLTAGE RATING
  - TE LOGO
  - THIS PRODUCT HAS NOT COMPLETED VALIDATION TESTING



C	FREE HANGING SOCKET SEALED NECTOR 3 POSITION	2213428-3
B	FREE HANGING SOCKET SEALED NECTOR 3 POSITION	2213428-2
A	FREE HANGING SOCKET SEALED NECTOR 3 POSITION	2213428-1
POLARIZATION TYPE	DESCRIPTION	PART NUMBER

DIMENSIONS:		TOLERANCES UNLESS OTHERWISE SPECIFIED:		DWN		APVD		NAME	
mm	0 PLC	±		J. SHAFFER	24MAR2014	M. LUKSIC	24MAR2014	M. LUKSIC	
	1 PLC	±0.2		PRODUCT SPEC		108-133014		APPLICATION SPEC	
	2 PLC	±0.13		114-32111		WEIGHT		Customer Drawing	
	3 PLC	±		SCALE		SHEET		REV	
	4 PLC	±		2:1		1 OF 2		A	
	ANGLES	±3°							
	FINISH	-							
MATERIAL	TBD	-							

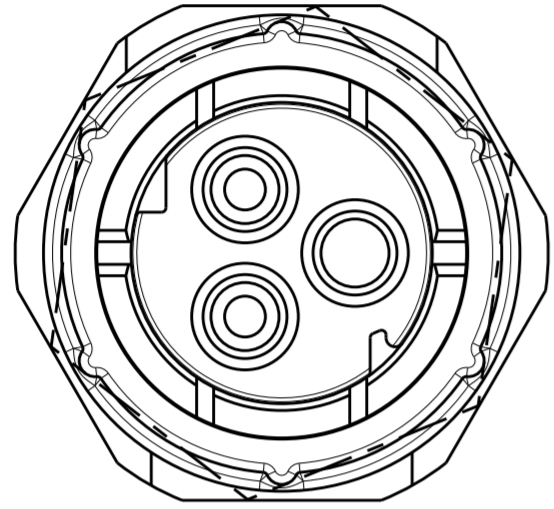
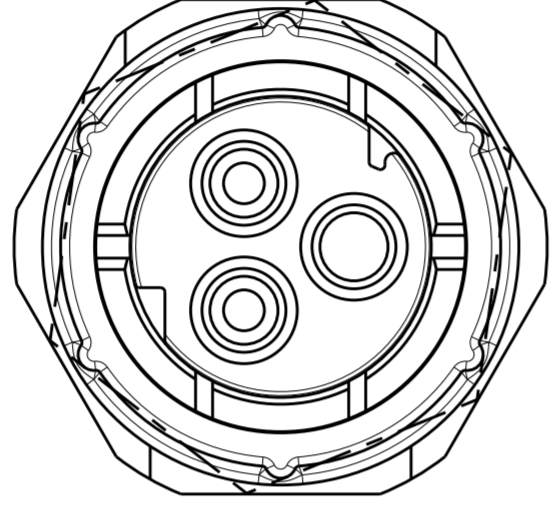
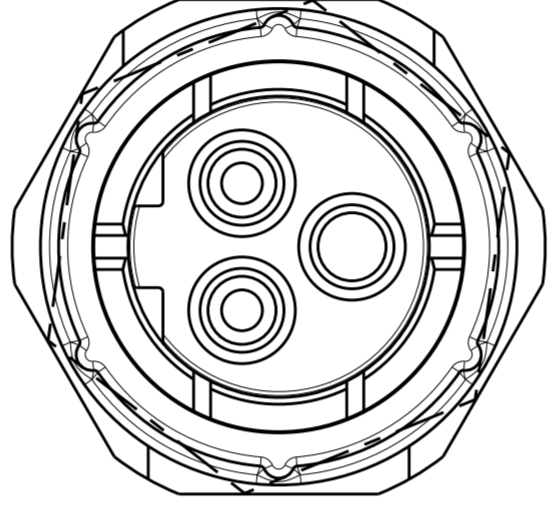



FREE HANGING, SOCKET SEALED NECTOR M 3 POSN

SIZE	CAGE CODE	DRAWING NO	RESTRICTED TO
A2	-	G-2213428	-

THIS DRAWING IS UNPUBLISHED. RELEASED FOR PUBLICATION 20  
 © COPYRIGHT 20 BY - ALL RIGHTS RESERVED.

REVISIONS				
P	LTR	DESCRIPTION	DATE	APVD
-		SEE SHEET 1	-	-

POLARIZATION TYPES		
POLARIZATION TYPE "A"	POLARIZATION TYPE "B"	POLARIZATION TYPE "C"
		
PN 2213428-1	PN 2213428-2	PN 2213428-3

THIS DRAWING IS A CONTROLLED DOCUMENT.		DWN J. SHAFFER 24MAR2014	 TE Connectivity	
DIMENSIONS: mm		CHK M. LUKSIC 24MAR2014		
TOLERANCES UNLESS OTHERWISE SPECIFIED: 0 PLC ± 1 PLC ±0.2 2 PLC ±0.13 3 PLC ± 4 PLC ± ANGLES ±3° FINISH -		APVD M. LUKSIC 24MAR2014	NAME FREE HANGING, SOCKET SEALED NECTOR M 3 POSN	
MATERIAL TBD		PRODUCT SPEC 108-133014	SIZE A2	CAGE CODE -
		APPLICATION SPEC 114-32111	DRAWING NO G-2213428	RESTRICTED TO -
		WEIGHT -	SCALE 2:1	SHEET 2 OF 2
		Customer Drawing	REV A	