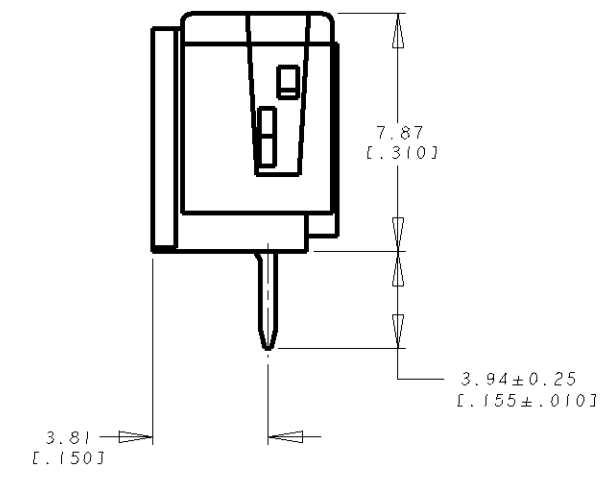
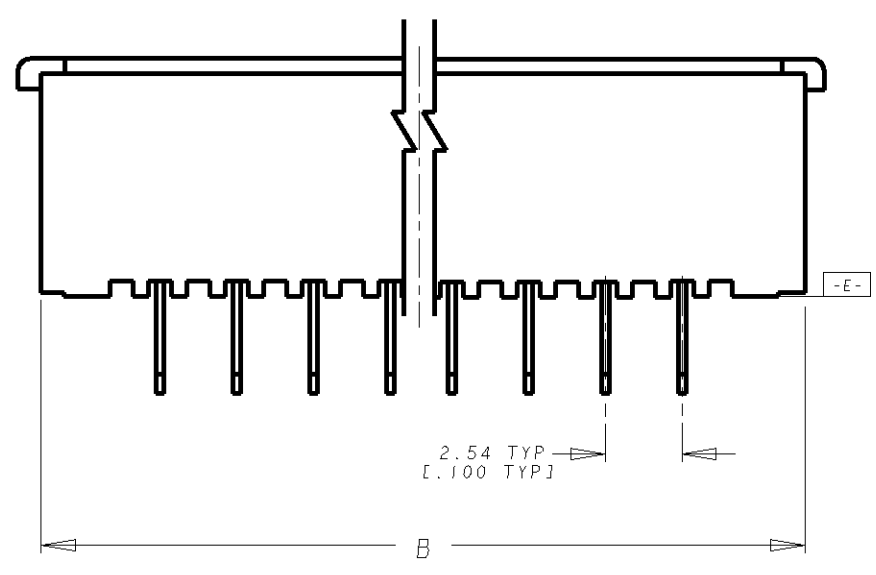
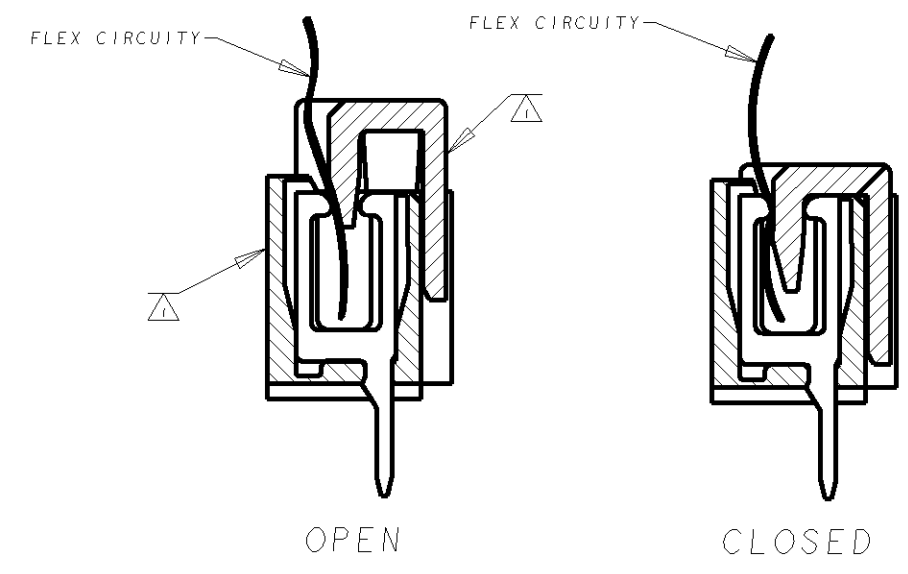
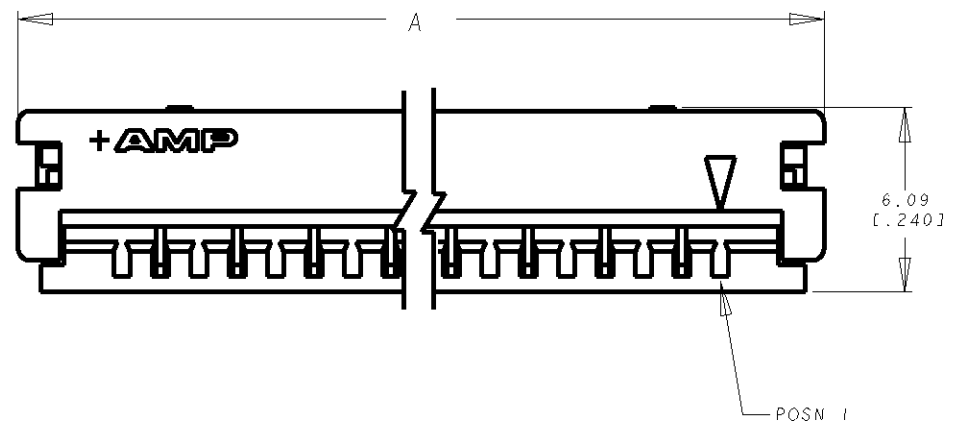


THIS DRAWING IS UNPUBLISHED. RELEASED FOR PUBLICATION .19
 © COPYRIGHT 19 BY - ALL RIGHTS RESERVED.

LOC	DIST	REVISIONS			
P	LTR	DESCRIPTION	DATE	DWN	APVD
		F3	REVISED PER ECO-11-005139	19MAR11	RK HMR



	51.05 [2.010]	52.58 [2.070]	18	1-487925-3
	12.95 [1.510]	14.48 [1.570]	3	1-487925-2
4 OBSOLETE	43.43 [1.710]	44.96 [1.770]	15	1-487925-1
4 OBSOLETE	38.35 [1.510]	39.88 [1.570]	13	1-487925-0
	35.81 [1.410]	37.34 [1.470]	12	487925-9
	33.27 [1.310]	34.80 [1.370]	11	487925-8
4 OBSOLETE	28.19 [1.110]	29.72 [1.170]	9	487925-7
	30.73 [1.210]	32.26 [1.270]	10	487925-6
4 OBSOLETE	61.21 [2.410]	62.74 [2.470]	22	487925-5
4 OBSOLETE	56.13 [2.210]	57.66 [2.270]	20	487925-4
	45.97 [1.810]	47.50 [1.870]	16	487925-3
	40.89 [1.610]	42.42 [1.670]	14	487925-2
	25.65 [1.010]	27.18 [1.070]	8	487925-1
	'B'	'A'	NO OF POSN	PART NUMBER

- 1 FLAME RETARDANT THERMOPLASTIC; COLOR-BLACK
- 2 FINISH: 0.00381 [0.000150] MIN THK TIN OVER
0.00127 [0.000050] MIN THK NICKEL ON ENTIRE CONTACT.
- 3. CONNECTOR SUPPLIED IN CLOSED CONDITION.
- 4 OBSOLETE PARTS: OBSOLETE CIS STREAMLINING PER D.RENAUD/D.SINISI

THIS DRAWING IS A CONTROLLED DOCUMENT FOR AMP INCORPORATED. IT IS SUBJECT TO CHANGE AND THE CONTROLLING ENGINEERING ORGANIZATION SHOULD BE CONTACTED FOR THE LATEST REVISION.		DWN D. KEITZER 30OCT89	STE TE Connectivity
DIMENSIONS: INCHES		CHK C OBERMAN 2NOV89	
TOLERANCES UNLESS OTHERWISE SPECIFIED: 0 PLC ± 1 PLC ± 2 PLC ± 3 PLC ±.005 4 PLC ± ANGLES ±		APVD SF J FONG	NAME CONNECTOR ASSEMBLY, .100C, ZIF-LINE 50
MATERIAL HOUSING & STUFFER: 1 CONTACTS: PHOS BRONZE 2		PRODUCT SPEC 108-16025	SIZE A3
		APPLICATION SPEC 114-16014	CAGE CODE 00779
		WEIGHT -	DRAWING NO C-487925
		CUSTOMER DRAWING	SCALE 8:1 SHEET OF REV F3