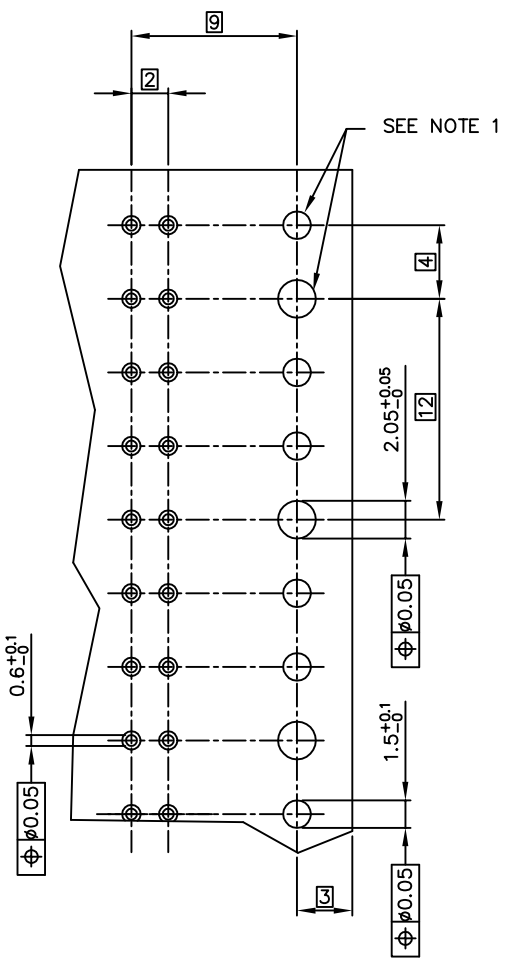
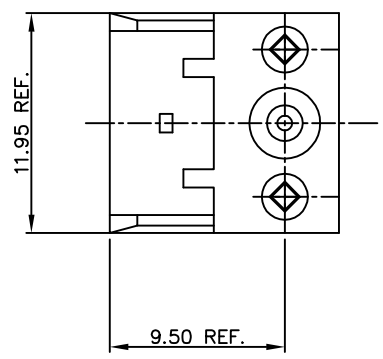
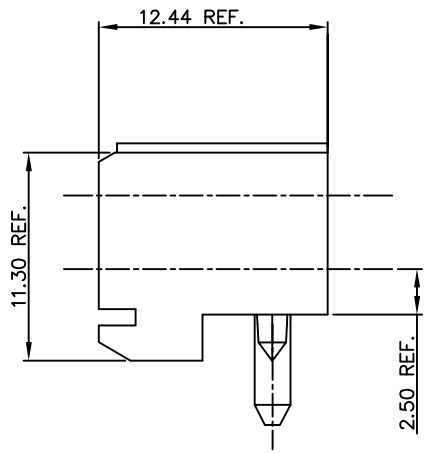
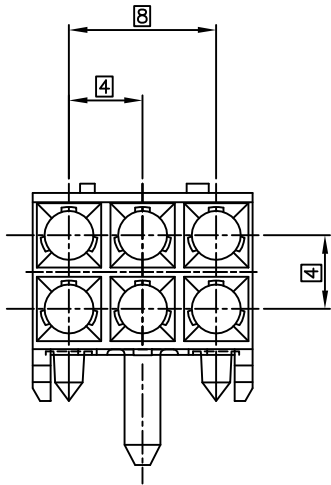
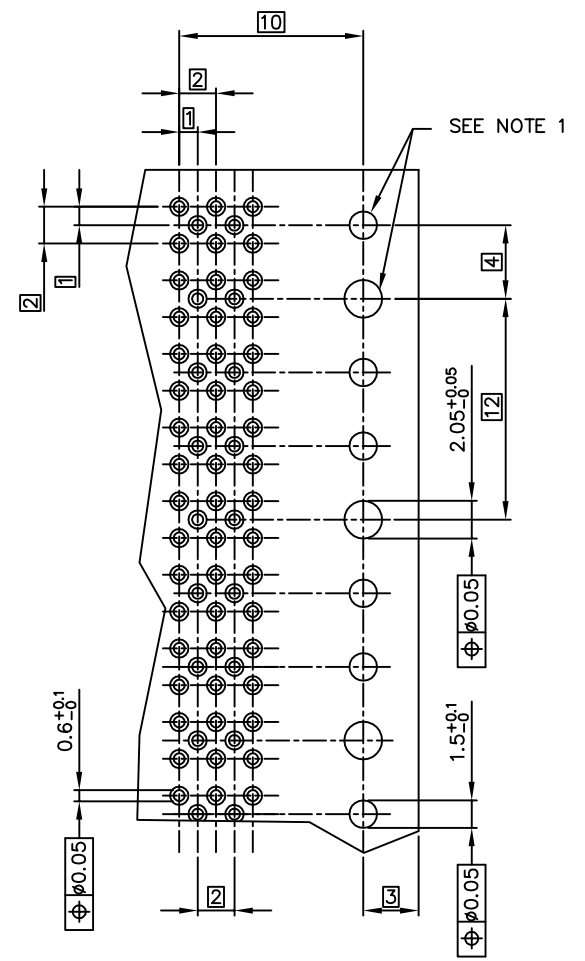


PRODUCT # 70244-101LF

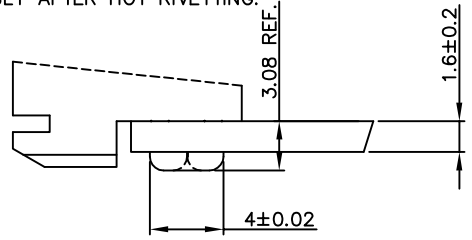


RECOMMENDED HOLE PATTERN,
COMPONENT SIDE.
MINI-POWER



RECOMMENDED HOLE PATTERN,
COMPONENT SIDE.
MINI-COAX

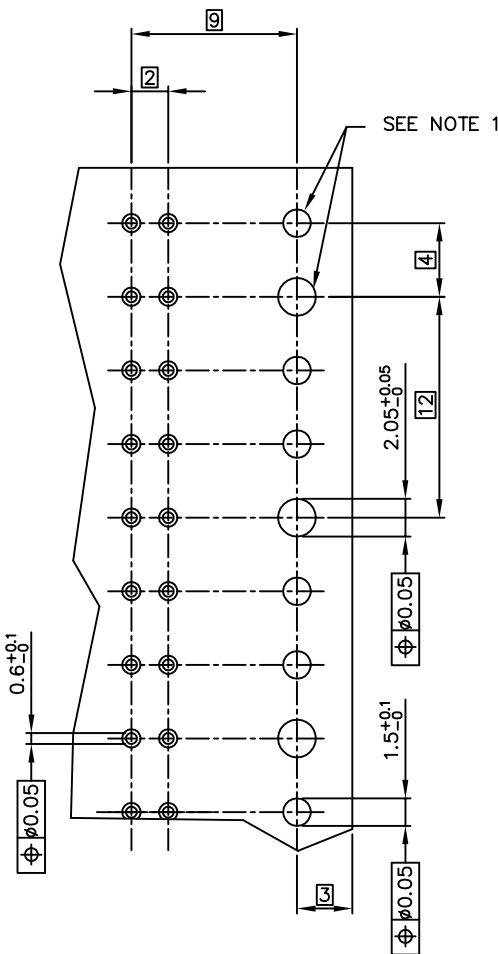
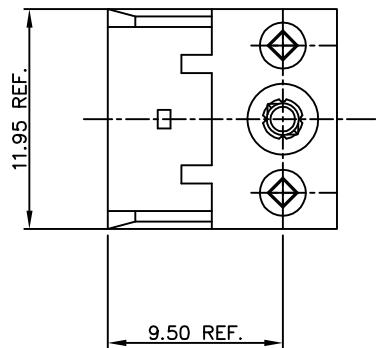
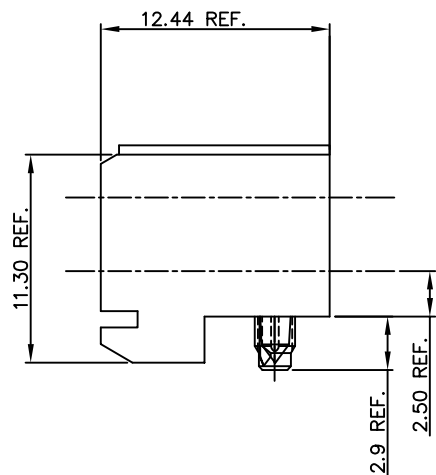
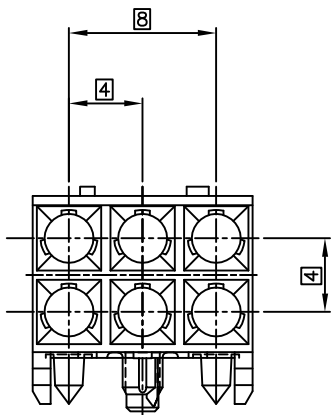
ASSEMBLY AFTER HOT RIVETTING.



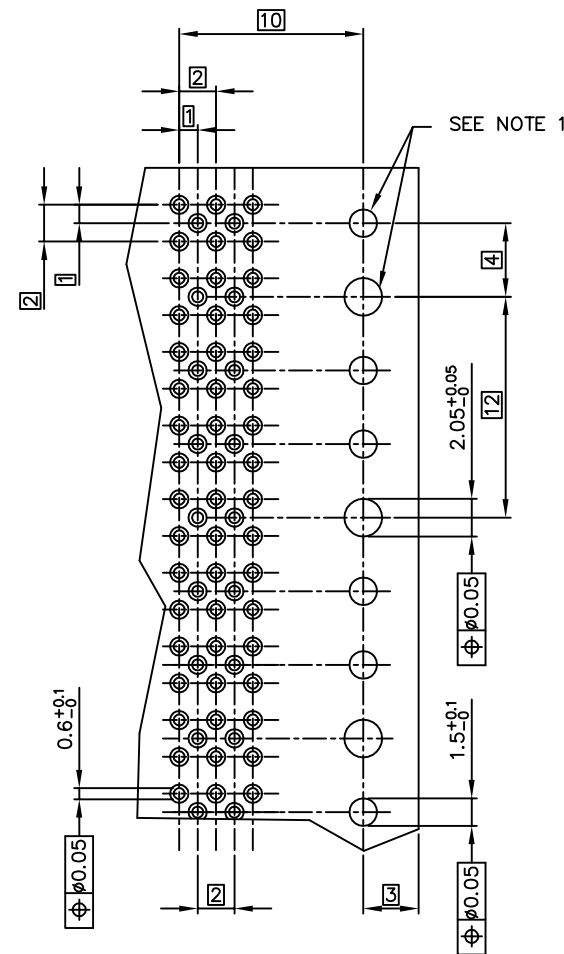
- NOTE:
- INDICATED HOLES ARE UNPLATED.
 - MATERIAL:
LIQUID CRYSTAL POLYMER 30% GLASS
FLAME RETARDANT ACC. UL 94-V0
COLOR NATURAL.
 - THIS PRODUCT WITH "LF" SUFFIX MEETS EUROPEAN UNION DIRECTIVES AND OTHER COUNTRY REGULATIONS AS DESCRIBED IN GS -22-008.
 - THE HOUSING WILL WITHSTAND EXPOSURE TO 260 DEGREE PEAK TEMPERATURE FOR 10 SECONDS IN A WAVE SOLDER APPLICATION WITH A 1.6mm MINIMUM THICK CIRCUIT BOARD.

mat'l. code SEE NOTE 2		tolerances unless otherwise specified		CUSTOMER COPY	ELECTRONICS www.fciconnect.com	
ltr	ecn no	dr	date	projection COPY	title R.A. RECEPTACLE	
H	005-0357	Clu	050927		linear	MINI-POWER/COAX HEAT STAKE
C	H20755	DAN	921124	angles	mm	product family CENTRAL (tm)
D	H40355	DOB	940616	dr	D Andrews	910912
E	H50047	RVI	950119	eng	E. Feijen	940616
F	H80710	DOB	981023	chr	Av Zanten	910912
G	H90489	HME	990816	app	H. Cozijmans	950119
sheet	revision	H	H	scale	5:1	
1	1			A2	70244	
Indx	sheet	1	2	code	213	
				sheet	1 of 2	

PRODUCT NUMBER 70244-102LF

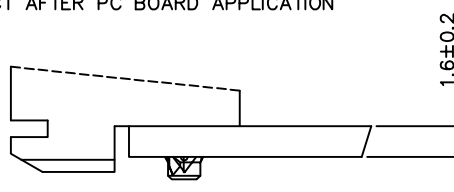


RECOMMENDED HOLE PATTERN,
COMPONENT SIDE.
MINI-POWER



RECOMMENDED HOLE PATTERN,
COMPONENT SIDE.
MINI-COAX

PRODUCT AFTER PC BOARD APPLICATION



NOTE:

1. INDICATED HOLES ARE UNPLATED.
2. MATERIAL:
LIQUID CRYSTAL POLYMER 30% GLASS
FLAME RETARDANT ACC. UL 94-V0
COLOR NATURAL.
3. THIS PRODUCT WITH "LF" SUFFIX MEETS EUROPEAN UNION DIRECTIVES AND OTHER COUNTRY REGULATIONS AS DESCRIBED IN GS -22-008.
4. THE HOUSING WILL WITHSTAND EXPOSURE TO 260 DEGREE PEAK TEMPERATURE FOR 10 SECONDS IN A WAVE SOLDER APPLICATION WITH A 1.6mm MINIMUM THICK CIRCUIT BOARD.

mat'l. code SEE NOTE 2		tolerances unless otherwise specified		CUSTOMER COPY		FCI ELECTRONICS www.fciconnect.com	
ltr	ecn no	dr	date	linear	projection	title R.A. RECEPTACLE	
H				angles	ϕ	MINI-POWER/COAX PRESS PEG	
		dr	D. de Bill 940616		mm	product family	code
		eng	E. Feijen 940616			MINI-POWER/COAX	213
		chr	E. Feijen 940616	scale	5:1	dwg no	sheet
		app	H. Cozijnans 950119			70244	2 of
sheet	revision						
Indx	shee						

PDM: Rev.H

STATUS: Released

Printed: May 19, 2011