

1

Mounts are available in two varieties; those secured by screws only and those secured with either an adhesive back or screws. For the screw-only type, place mount in desired location and secure to surface using two #6 round head screws driven through the pre-existing holes. When using the adhesive variety, make sure the designated surface is flat, smooth, dry, and cleaned free of grease, oil, and other contaminants (use isopropyl alcohol). For best results, install at 70°F (21°C) or above.

1A

Adhesive Backed Instruction

Remove paper liner from back of mount. Place in desired location and press mount firmly at each end (Fig. 1). Then press firmly on the center of the mount (Fig. 2).

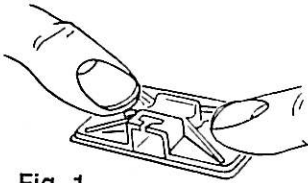


Fig. 1

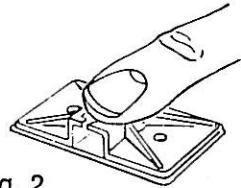


Fig. 2

2

Insert head of cable tie into slot of mount. Holding tail up, rotate tie 90° as shown in Fig. 3 until properly in place as shown in Fig. 4.

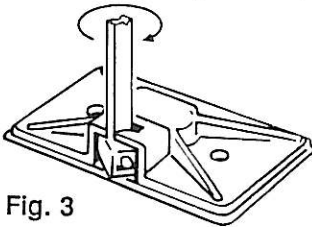


Fig. 3

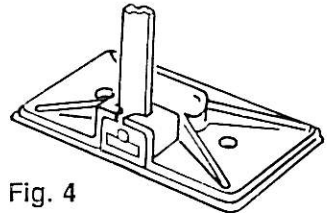


Fig. 4

3

Wrap **PAN-TY**® cable tie around bundle and insert tip through both the mount opening and cable tie head (Fig. 5). Pull cable tie tight to insure a neat, secure installation. NOTE: Locking **PAN-TY** cable ties (PLT) can be easily installed with Panduit tension-controlled tools. Releasable **PAN-TY** cable ties (PRT) are hand installed, releasable, and reusable.

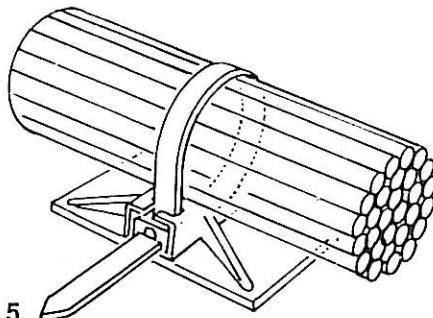


Fig. 5