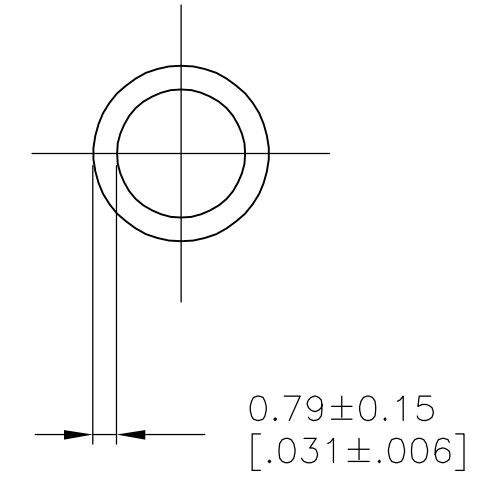
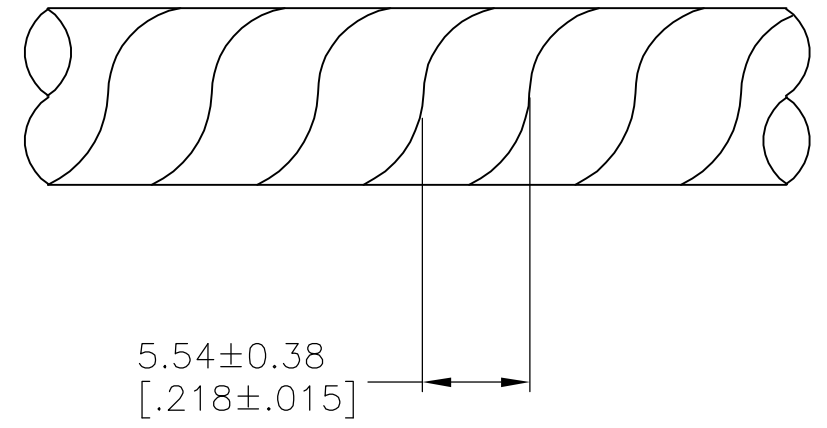


THIS DRAWING IS UNPUBLISHED. RELEASED FOR PUBLICATION
 © COPYRIGHT - BY TYCO ELECTRONICS CORPORATION. ALL RIGHTS RESERVED.

LOC	DIST	REVISIONS			
P	LTR	DESCRIPTION	DATE	DWN	APVD
CM	0	AK2	ECO-06-017742	26JUL06	BSV DC



1. MAX BUNDLE RANGE: 1.60[.063] TO 12.70[.500]
2. WEIGHT PER 304.8M[1000ft]: 1.81kg[4lb].
3. OVERALL LENGTH TO BE WITHIN +1 Ft -0 Ft.
4. ONE SPLICE PER BOX IS ALLOWABLE.

SUBSIDIARY USE ONLY	LENGTH	COLOR	PART NUMBER
	76.2M [250 FT] BOX	NATURAL	500000-4
	30.48M [100 FT] BOX	NATURAL	500000-2
	15.24M [50 FT] BOX	NATURAL	500000-1

THIS DRAWING IS A CONTROLLED DOCUMENT.		DWN W.CHANDLER 14DEC93	Tyco Electronics Corporation Harrisburg, PA 17105-3608		
DIMENSIONS: mm [INCHES]		CHK W.CHANDLER 05JAN94			
TOLERANCES UNLESS OTHERWISE SPECIFIED:		APVD D. KAAT 05JAN94	NAME SPIRAP, POLYETHYLENE, 1/8 INCH DIAMETER		
		PRODUCT SPEC	SIZE		
MATERIAL POLYETHYLENE		FINISH	CAGE CODE A3 00779		DRAWING NO C-500000
		WEIGHT	RESTRICTED TO		
		CUSTOMER DRAWING	SCALE 4:1		SHEET 1 OF 1
			REV AK2		