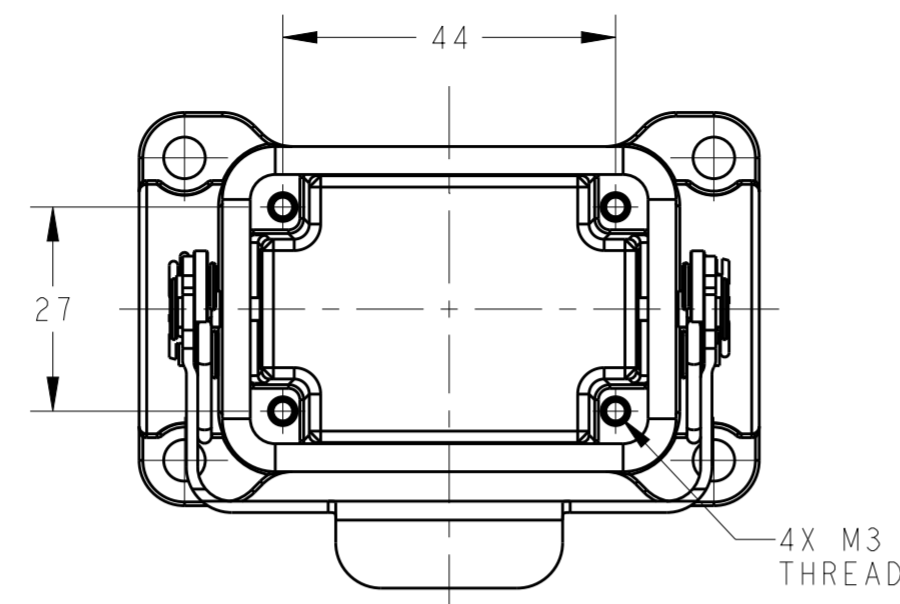


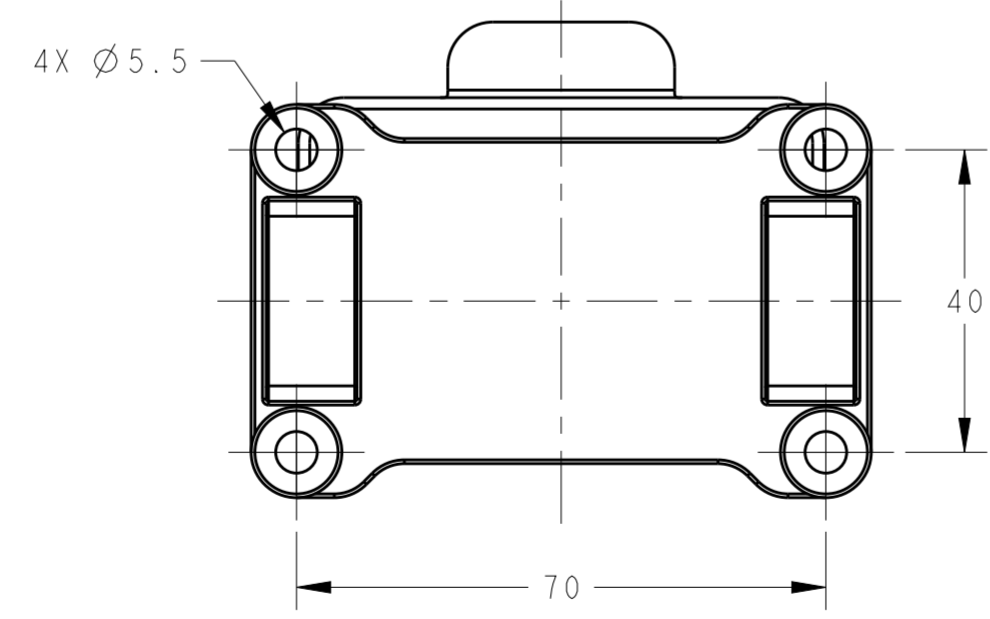
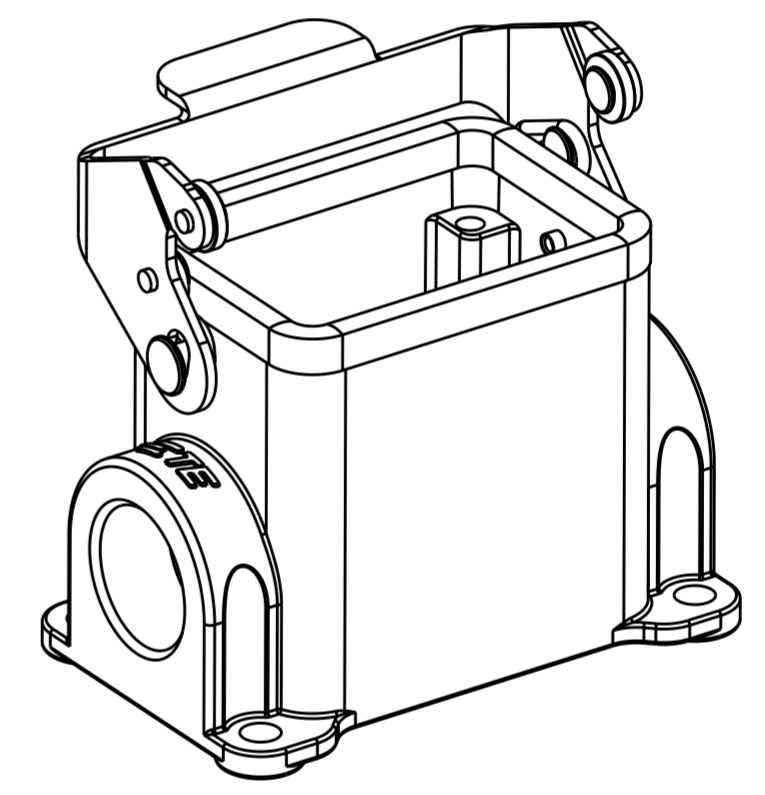
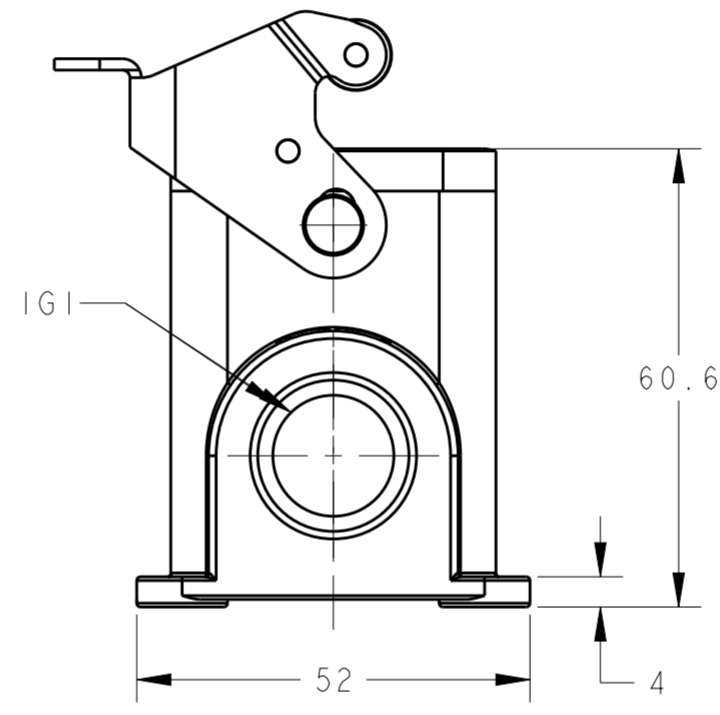
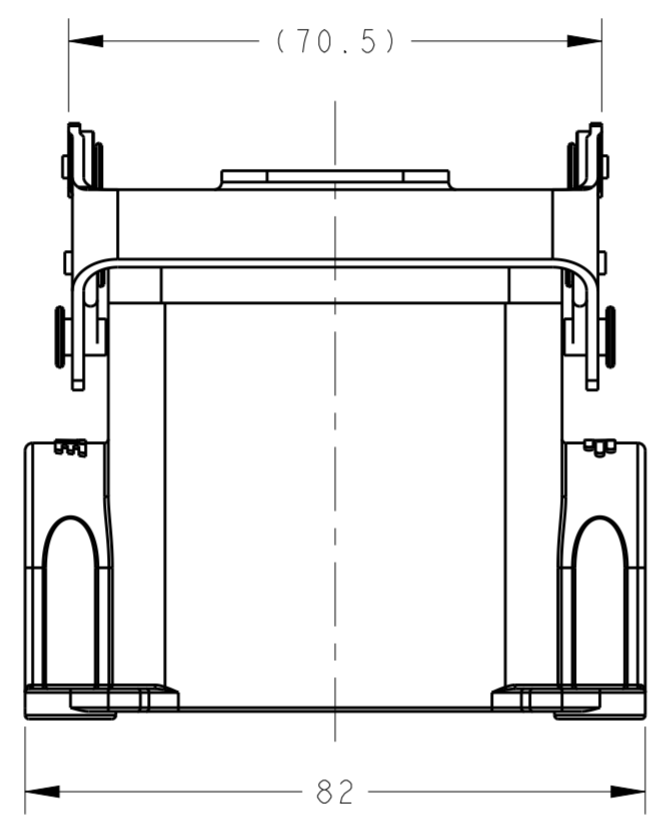
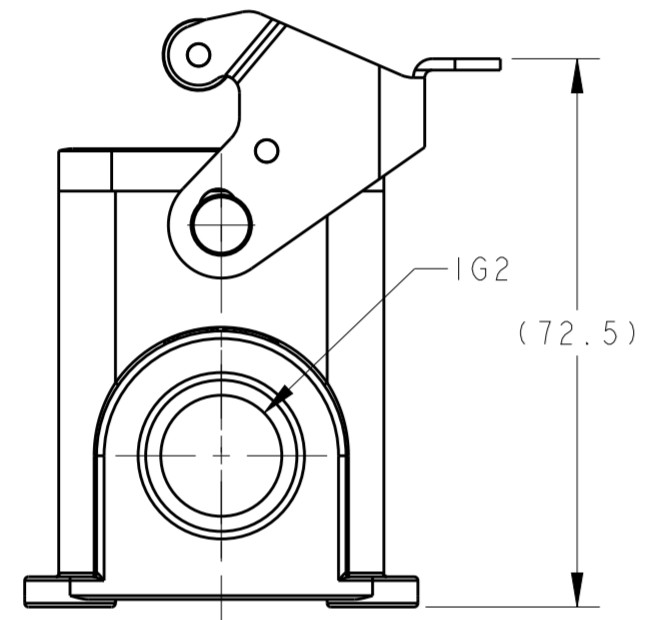
THIS DRAWING IS UNPUBLISHED. RELEASED FOR PUBLICATION 20
 © COPYRIGHT 20 BY - ALL RIGHTS RESERVED.

REVISIONS				
P	LTR	DESCRIPTION	DATE	APVD
	A	INITIAL	23JUN2015	DW CW



NOTES:
 1. TECHNICAL CHARACTERISTICS:
 HOUSING MATERIAL: DIE CAST ALUMINIUM ALLOY
 SURFACE: POWDER COATED, GREY
 OPERATION TEMPERATURE: -40-+125°C
 DEGREE OF PROTECTION: IP65 (MATED)

注释:
 1. 技术参数:
 表面安装下壳材料: 铝合金
 表面处理: 粉末涂层, 灰色
 工作温度: -40-+125°C
 防护等级: IP65(配合)



T1610062113-000	H6B-SGRS-PG13.5	PG13.5	-
T1610062116-000	H6B-SGRS-PG16	PG16	-
T1610062120-000	H6B-SGRS-M20	M20	-
T1610062125-000	H6B-SGRS-M25	M25	-
T1610062216-000	H6B-SGRS-2PG16	PG16	PG16
T1610062220-000	H6B-SGRS-2M20	M20	M20
T1610062225-000	H6B-SGRS-2M25	M25	M25
PART NUMBER	DESCRIPTION	IG1	IG2

THIS DRAWING IS A CONTROLLED DOCUMENT.

DIMENSIONS: mm 	TOLERANCES UNLESS OTHERWISE SPECIFIED: 0 PLC ± 1 PLC ± 2 PLC ± 3 PLC ± 4 PLC ± ANGLES ± FINISH -	DWN 23JUN2015 David Wang	TE Connectivity
		CHK 23JUN2015 Chris Wang	
MATERIAL - -	FINISH - -	APVD 23JUN2015 Xiang Xu	PRODUCT SPEC 108-137013
		APPL. SPEC 114-137013	RESTRICTED TO -
Customer Drawing		WEIGHT -	SIZE A2 CAGE CODE 00779 DRAWING NO. T1610062XXXX00 SCALE 1:1 SHEET 1 OF 1 REV A