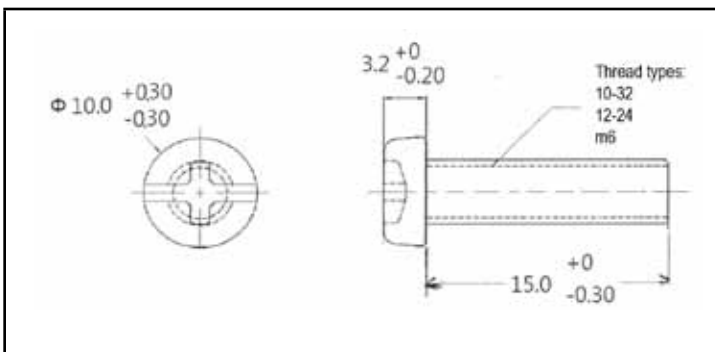


Orion Cage Nuts for round holes

Part Nos:

OCN-1032RH\* (10-32 thread), OCN-1224RH\* (12-24 thread), OCN-M6RH\* (M6 thread)



Orion Cage Nut Screw

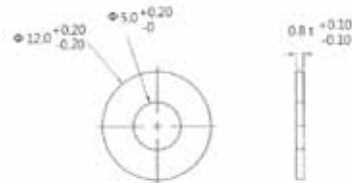
Part Nos:

OCN-1032SCW\* (10-32 thread)  
 OCN-1224SCW\* (12-24 thread)  
 OCN-M6SCW\* (M6 thread)  
 OCN-1032WS\* (Orion Cage Nut Washer)  
 OCN-1224WS\* (Orion Cage Nut Washer)

\* Add "PK" to P/N for 25 piece packs

Orion Cage Nuts material  
 Black Zinc plated steel

Orion Cage Nut Washer - PVC 0.8 x 5 x 12  
 Sold in hardware packs only:  
 OCN1032RHHDWPK  
 OCN1224RHHDWPK  
 OCNM6RHHDWPK



Hardware sold separately