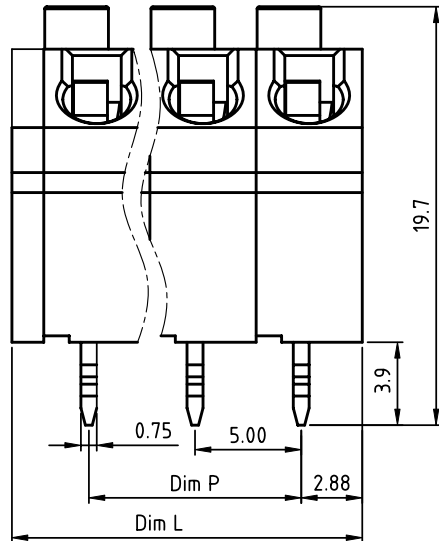
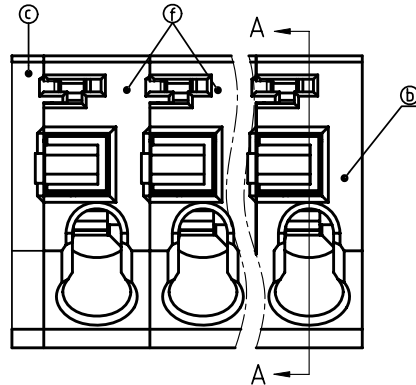
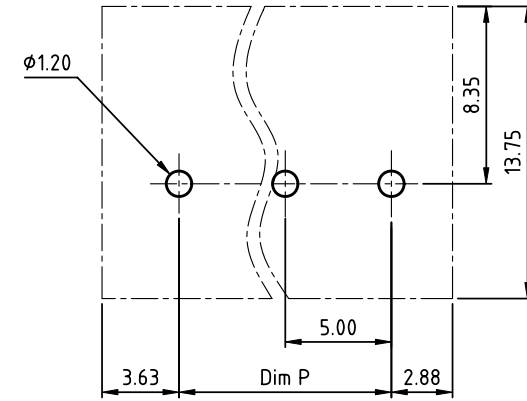
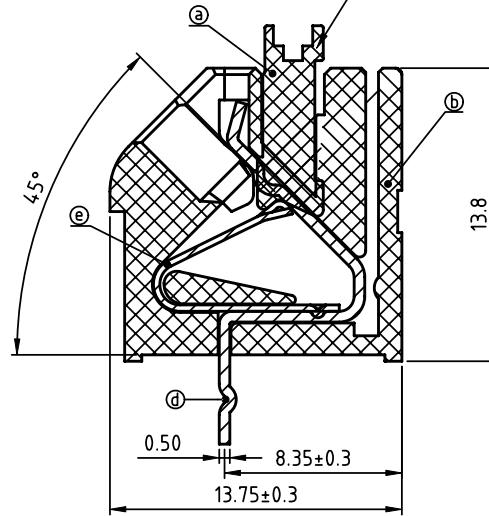


PRODUCT NUMBER	PITCH
NExx00x000JOG	5.00mm



The color of lever is consistent with body's



RECOMMENDED P.C.B LAYOUT
TOP VIEW

Material:

- Item ① Terminal lever: Thermoplastic (UL94 V-0)
- Item ② Terminal side housing: Thermoplastic (UL94 V-0)
- Item ③ Terminal cover: Thermoplastic (UL94 V-0)
- Item ④ Solder pin: Brass Tin plated
- Item ⑤ Spring clamp: Stainless steel
- Item ⑥ Terminal middle housing: Thermoplastic (UL94 V-0)

Electrical cULus

- Voltage rating: 300V
- Current rating: 10A
- Solid wire (AWG): 16-20
- Wire strip length: 7-8mm
- Withstanding Voltage: 1.6KV
- Operating temperature: -40°C to +115°C
- Soldering temperature: 260°C ± 5°C / 5 Sec
- Safety Approval:

N=Number of poles
Dim L=Nx5.0+1.5
Dim P=(N-1)x5.0

Poles	Dim L	Dim P
1p	±0.10	
2-6p	±0.15	±0.15
7-12p	±0.25	±0.25
13-18p	±0.30	±0.30
19-24p	±0.40	±0.40

PART NO.: NE xx 00 x 000JOG

No. of poles	Color	RoHS compliant
0	Black (RAL9005)	(lead<4%)
End Stackable	2 Red (RAL3001/D)	In copper Alloy
01 1 poles	3 Orange (RAL2011/P)	
02 2 poles	4 Yellow (RAL1018/A)	
...	5 Green (RAL6018/T)	
24 24 poles	6 Blue (RAL5015/A)	
	8 Grey (RAL7004/P)	
	9 White (RAL1102)	
	C Multiple colors	

mat'l. code		surface ASME Y14.5	tolerance ASME Y14.5	projection	product family TERMINAL BLOCK
ltr	ecn no	dr	date		title TERMINAL BLOCK
tolerances unless otherwise specified				MM	SPRING CLAMP, 45D WIRE INLET
angles				scale	dwg no
X±0.5					sheet 1 of 1
X.X±0.3					size
X.XX±0.1					A4
dr					type CUSTOMER Drawing
enr					
chr					
appd					
sheet index	revision	A	sheet	1	