



DFROBOT
DRIVE THE FUTURE

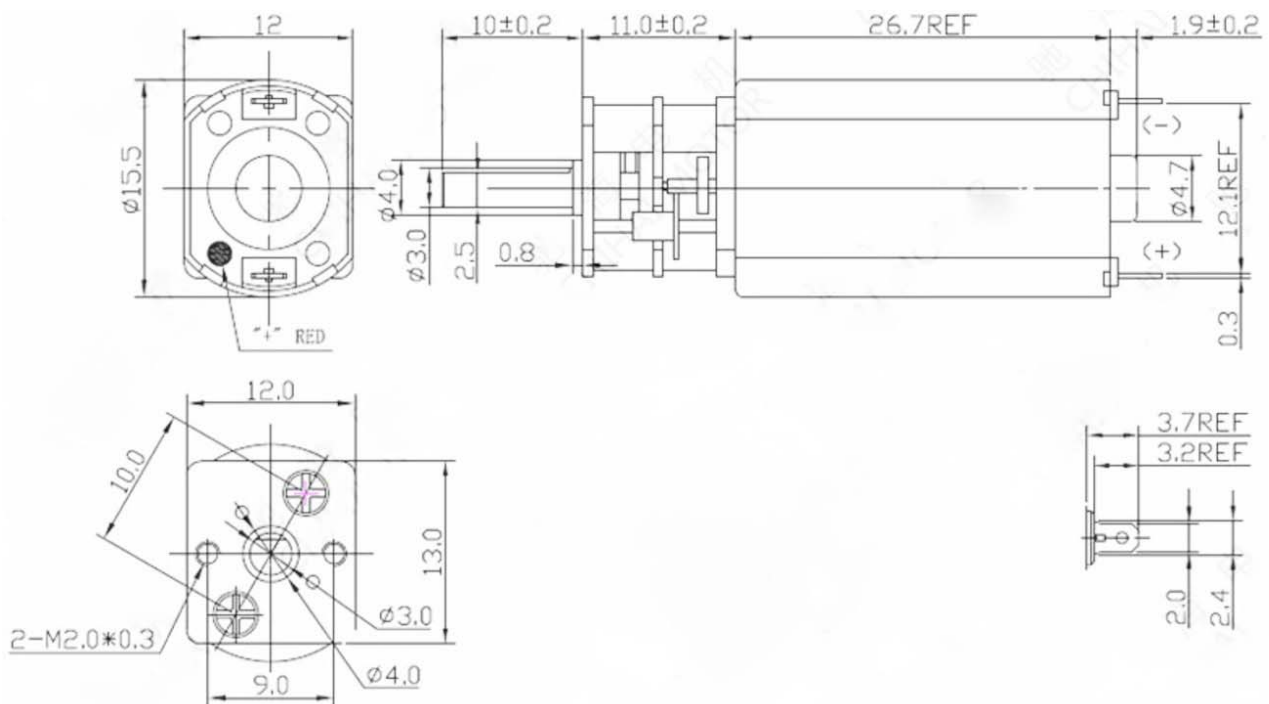


Mini Metal DC Geared Motor (6V 570RPM 1.5Kg*cm)

SKU:FIT0564

INTRODUCTION

This is a mini DC motor with a 1:35 reduction box. It has small size and takes up very little space. It uses metal gears which is durable. The D-shape shaft facilitates the installation of motor. The no-load speed is 570rpm and the noise is low.



- In order to protect the service life of the motor, do not overload it;
- Do not store and use it in high temperature or extreme humidity, which may affect the service life and effect of the motor;
- When soldering is required on the motor terminals of the positive and negative poles of the power supply, if the soldering iron temperature is between $340\text{ }^{\circ}\text{C} \pm 40\text{ }^{\circ}\text{C}$, the heating time should be within 3 seconds to prevent overheating deformation of the plastic parts in the motor;
- Do not let the motor shaft get stuck. If it is stuck, the motor will burn out;
- The motor should be used within the voltage specifications.

SPECIFICATION

- Voltage: 6V
- Direction of rotation: two-way
- Reduction ratio: 1:35
- No-load current: less than or equal to 170mA
- No-load speed: 570rpm
- Load torque: 400g.cm
- Load speed: 400rpm
- Load current: less than or equal to 900
- Stall torque: 1.5kg.cm
- Stall current: 3.4A
- Shaft length: 10mm
- Shaft diameter: 3mm D-shaped shaft
- Weight: 25g
- Size: 12*13-R15.5*38mm (without motor output shaft)

SHIPPING LIST

- Mini Metal DC Geared Motor (6V 570RPM 1.5Kg*cm) x1



<https://www.dfrobot.com/product-1750.html> 8-7-18