

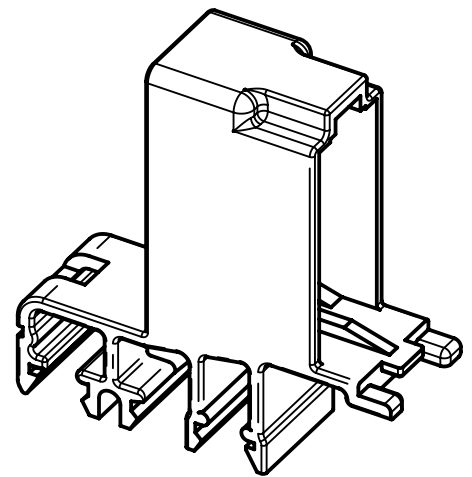
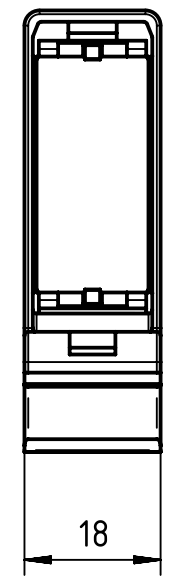
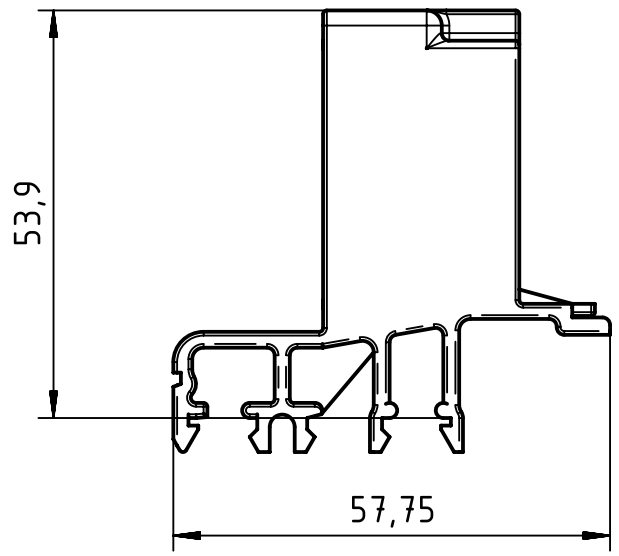
1 2 3 4 5 6

A


B

C

D



useable for all electrical Han-Modular® single modules on rail DIN EN 60 715-35 x 7.5 with 1 mm thickness or rail DIN EN 60 715-35 x 15 with 1.5 mm thickness

	All Dimensions in mm Original Size DIN A4		Scale 1:1		Free size tol.		Ref.			
	All rights reserved Department EL PD - DE		Created by MOELLERLI		Inspected by GRIEPENSTROH		Standardisation SCHMIDTM			
HARTING Electric GmbH & Co. KG D-32339 Espelkamp		Title Module Clamp for rail (1 pcs)					Date 2013-12-18		State Final Release	
		Type TB					Number 09 14 000 0313		Doc-Key / ECM-Nr. 100223833/UGD/002/F 500000069803	
							Rev. F		Page 1/1	