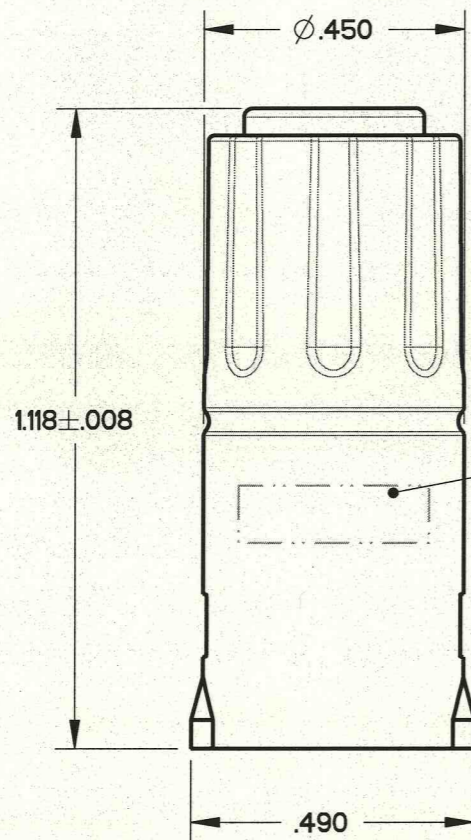
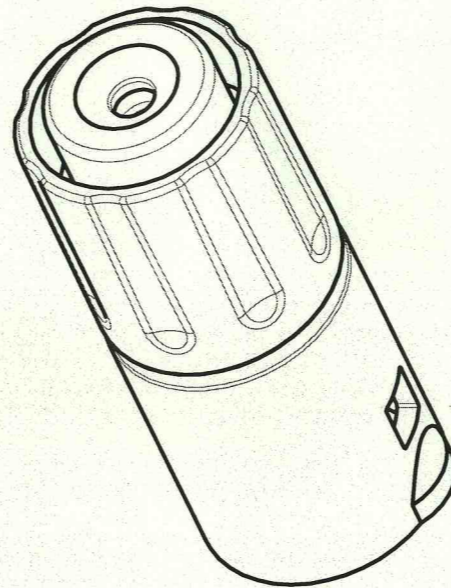
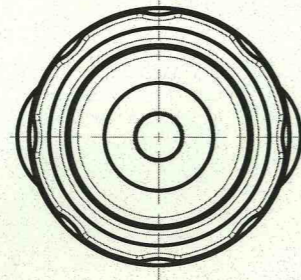


REV	ECN	APP'D
A	6146	JT
B	6426	JT 10/22/09



PART MARKING AS FOLLOWS:

-- APCD  
YYWW SJS5122XX

SEE TABLE 1 FOR FULL PART NUMBERS

DATE  
CODE

NOTES:

- MATERIALS:  
HOUSING: PA 6/6  
CONTACT RETAINER: STAINLESS STEEL  
GROMMET: SILICONE RUBBER PER A-A-59588
- OPERATING RANGE: EQUIVALENT TO AS81714  
WITH THE FOLLOWING EXCEPTIONS:  
TEMPERATURE: -65 °C TO 155 °C  
INSULATION RESISTANCE: 5000 MEGOHMS MINIMUM  
CURRENT RATING: 23 AMPS  
VIBRATION: PER EIA-364-D METHOD 28, TEST CONDITION V  
ALTITUDE IMMERSION: EIA-364-D METHOD 3 @ 55,000 FT (FORMERLY MIL-STD-1344 METHOD 1004)
- ACCEPTS (1) M39029/58-365 SOCKET CONTACT (NOT INCLUDED)
- CONTACT RETENTION SHALL LOCK AT 30 LBS RET.
- LOCKING FEATURE SHALL NOT BREAK AT 25 LBS
- MATES WITH SJS512100

TABLE 1 - PART NUMBER SCHEME

APCD PART#	COLOR
SJS512200	BLUE
SJS512210	RED

<b>DIMENSIONS</b> ANSI Y14.5M UNITS: INCHES Pro/E FILE	<b>TOLERANCES</b> .XX ±0.01 .XXX ±0.005 ANGLES ±1.0°	<b>PROJECTION</b> 	<b>Amphenol Pcd</b> SPECIFICATION DRAWING			<b>TITLE</b> IN-LINE JUNCTION SINGLE WIRE, SIZE 12 RECEPTACLE		
			ENGR M.CHEN 18-Oct-07	CHKD 10/22/09	APPD 10/22/09	SIZE B	DWG NO. SJS512200_CE	REV B
ORIGINAL 	THIS DOCUMENT CONTAINS PROPRIETARY INFORMATION WHICH IS THE CONFIDENTIAL PROPERTY OF AMPHENOL PCD INC., BEVERLY, MA			CODE: 58982	SCALE: 3:1	SHEET 1 OF 1		