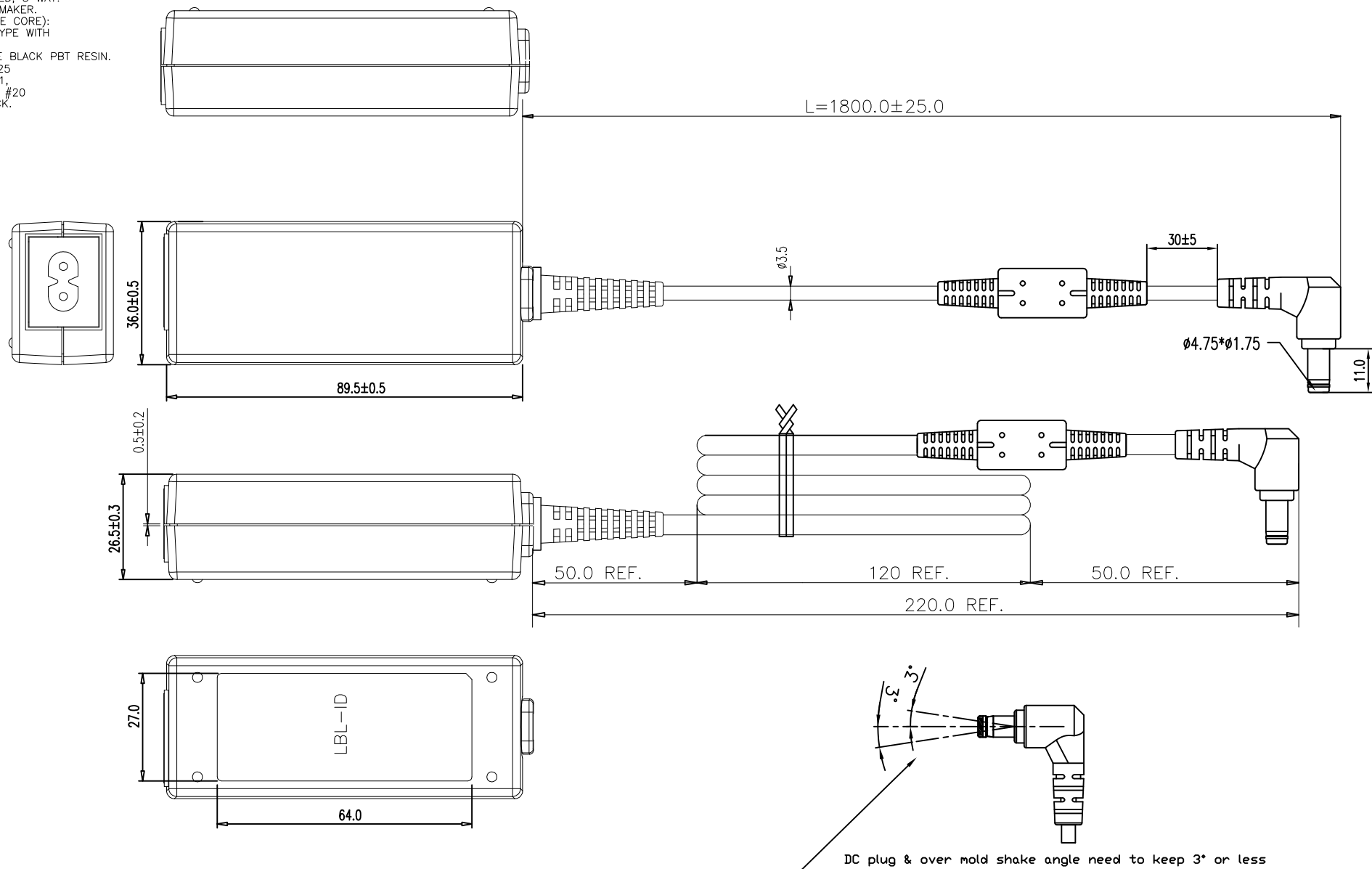


NOTES: UNLESS OTHERWISE SPECIFIED.

1. ALL DIMENSIONS ARE IN mm.
TOLERANCES TO BE ± 0.25 mm.
2. PARTS SPECIFIED AS FOLLOWS:
 - 2-1. ENCLOSURE:
 - * MATERIAL: GE LEXAN 945,
V-0 RATED FLAMMABILITY.
 - * COLOR: GE #701 (BLACK).
 - * TEXTURE: MT-11020 (MAT).
 - 2-2. AC RECEPTACLE:
 - * IEC 320, C6 CERTIFIED, 3 WAY.
 - * COLOR: BLACK PER MAKER.
 - 2-3. DC OUTPUT (FERRITE CORE):
 - * CONNECTOR: FORK TYPE WITH
LOCK NOTCH.
 - * DIELECTRIC: PANTONE BLACK PBT RESIN.
 - * CORE: RH 11.5*4.9*25
 - * CABLE: UL AWM 1571,
WIRE #20 & SPIRAL #20
 - * JACKET COLOR: BLACK.



REVISION	RELEASED	18-AUG-2012	1A-8F	PRINTING DATE	13-AUG-2007	2D FILE	OUTLINE_PA-1300-03CO	DESIGNER	MIKA CHUANG	LITEON	TITLE: OUTLINE DRAW. PART NO:
	DESCRIPTION	DATE	ZONE	UNIT: mm	SCALE: —	3D FILE		CHECKER		LITE-ON ELECTRONICS, INC.	PROJECT: PA-1300-03CO DRAWING NO: D-001386
								APPROVED			REV: A