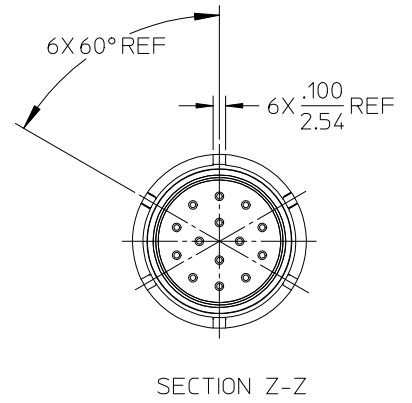
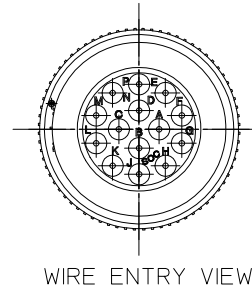
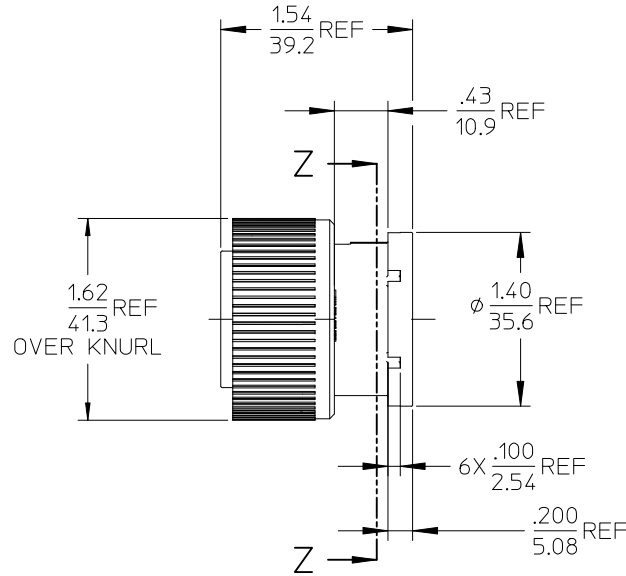
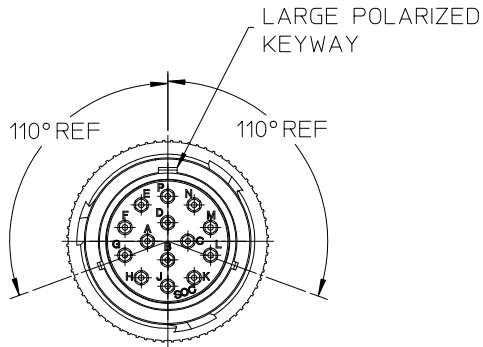
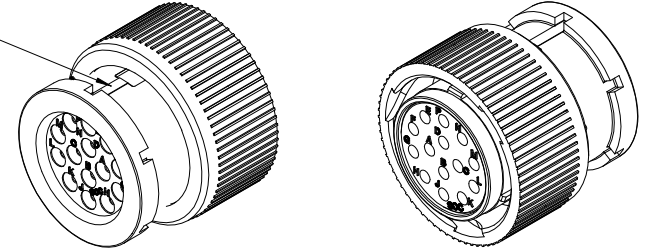


MATERIAL NUMBER	WIRE AWG	INSUL DIA O.D.
845070012	18-14	.053(1.35) - .134(3.40)

©

LARGE POLARIZING KEY INDICATOR



NOTES:

1. MATERIALS:
HOUSINGS: POLYESTER (PBT), GLASS FILLED, UL94V-0 & POLYETHERIMIDE (PEI), UNFILLED, UL94V-0.
COLOR, UNLESS OTHERWISE SPECIFIED: BLACK
SEALS: SILICONE RUBBER
COLOR: RUST RED
2. PRODUCT SPECIFICATION: PS-84501-001.
3. MATES WITH: SERIES 84502 RECEPTACLE CONNECTOR.
4. USE CONNECTOR WITH FEMALE CRIMP TERMINAL SERIES 84525. ©
5. ALL COMPONENTS ARE ROHS COMPLIANT.

UPDATE NOTE TO 84525 TERMS. WIRE INS. O.D. & TOL. EC NO: WNA2011-0402 DRAWN: WLEUNG 2011/01/28 CHKD: APPR: DITITUS 2011/02/03	QUALITY SYMBOLS	GENERAL TOLERANCES (UNLESS SPECIFIED)	DIMENSION STYLE	SCALE	DESIGN UNITS	THIRD ANGLE PROJECTION
	▼=0 ▽=0	mm INCH 4 PLACES ± --- ± --- 3 PLACES ± --- ± .015 2 PLACES ± 0.38 ± .02 1 PLACE ± 0.5 ± --- ANGULAR ± 1 °	IN/MM DRAWN BY DATE DMYRICK 2006/6/26 CHECKED BY DATE JPAWLICKI 2006/6/26 APPROVED BY DATE JPAWLICKI 2006/6/26	1:1	INCH	Molex MOLEX INCORPORATED
	DRAFT WHERE APPLICABLE MUST REMAIN WITHIN DIMENSIONS	SEE CHART SIZE B	MATERIAL NO. DOCUMENT NO. SD-84507-002	TITLE PLUG CONNECTOR ASSEMBLY, 18-14 POS SOCKET TERMINALS		SHEET NO. 1 OF 1
	THIS DRAWING CONTAINS INFORMATION THAT IS PROPRIETARY TO MOLEX INCORPORATED AND SHOULD NOT BE USED WITHOUT WRITTEN PERMISSION					