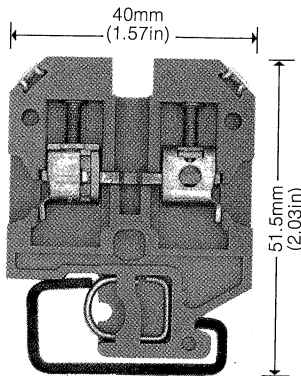


SAK 4

Terminal Type	Catalog No.	Standard Pack
SAK 4 High-grade Melamine	1283.2	100
SAK 4 Polyamid 6.6	1283.6	100



Terminal thickness 6.5mm-0.2mm (0.256in)
Insulation Stripping Length 12mm (0.47in)

Approvals	Amps	Volts	AWG
	36	600	22-12
	36	600	22-10

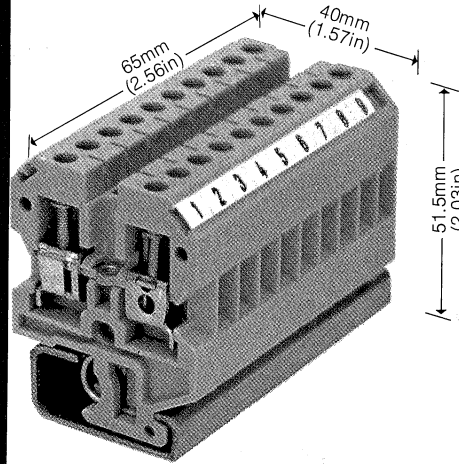
Type	Catalog No.	Standard Pack
------	-------------	---------------

Required Accessories		
TS 32	1228.0	—
EWK 1 9mm (0.354in)	2061.6	50
AP 1.5mm (0.059in)	1179.6	20
AP 1.5mm (0.059in)	1179.2	20
Optional Accessories		
TW 1.5mm (0.059in)	1301.6	50
TW 2.5mm (0.098in)	1301.2	20
TW	1971.0	—
TSch 1	3191.6	100
StB 14	1686.0	50
PS 2.3mm ϕ (0.090in)	1804.0	50
QS 2	2127.0	20
Q 2	3367.0	50
Q 3	3368.0	50
Q 4	3369.0	20
Q 10	3688.0	20
QL,VH,BS	See Page 22	
VL 2	1970.0	100
VH 19	2851.0	50
BS M3x25	2925.0	100
AD 4 (4 Terminals)	3761.0	10
BSK M3x22	1289.0	100
Dekafix 6.5mm, etc.	See Section G	
SS Fixing Washer	1644.0	—

For dimensions and further details see Accessory Section (H)

KB 4/10

Terminal Type	Catalog No.	Standard Pack
KB 4/10 10-Pole Block without Marking Tags — Polyamid 6.6	3088.6	10
KB 4/10 10-Pole Block with Marking Tags 1-9 — Polyamid 6.6	3226.6	10



Terminal thickness 65mm (2.560in)
Insulation Stripping Length 12mm (0.47in)

Approvals	Amps	Volts	AWG
	36	600	22-12
	600	600	22-10

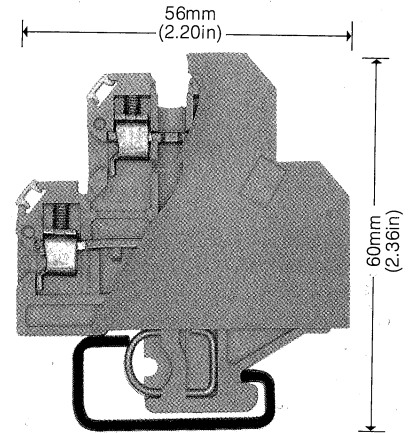
Type	Catalog No.	Standard Pack
------	-------------	---------------

Required Accessories		
TS 32	1228.0	—
EWK 1 9mm (0.354in)	2061.6	50
AP 1.5mm (0.059in)	1179.6	20
Optional Accessories		
TSch 1	3191.6	100
StB 14	1686.0	50
PS 2.3mm ϕ (0.090in)	1804.0	50
Q 2	3367.0	50
Q 3	3368.0	50
Q 4	3369.0	20
Q 10	3688.0	20
QL,VH,BS	See Page 22	
VL 2	1970.0	100
VH 19	2851.0	50
BS M3x25	2925.0	100
AD 4 (4 Terminals)	3761.0	10
BSK M3x22	1289.0	100
Dekafix 6.5mm, etc.	See Section G	
SS Fixing Washer	1644.0	—

DK 4/750

Terminal Type	Catalog No.	Standard Pack
DK 4/750 Separate upper and lower connections. Complete with barrier. Polyamid 6.6	5239.6	60

(Barrier permanently affixed to terminal.)



Terminal thickness 7.5mm (0.295in)
Insulation Stripping Length 9mm (0.354in)

Approvals	Amps	Volts	AWG
	27	600	22-16
	25	600	22-12

Type	Catalog No.	Standard Pack
------	-------------	---------------

Required Accessories		
TS 32	1228.0	—
EWK 1 9mm (0.354in)	2061.6	50
Optional Accessories		
StB 8.5	2157.0	50
PS 2.3mm ϕ (0.090in)	1804.0	50
QL,VH,BS	See Page 22	
VH 8.5	2669.0	
BS 2.5x14	3677.0	
Dekafix 6.5mm, etc.	See Section G	

