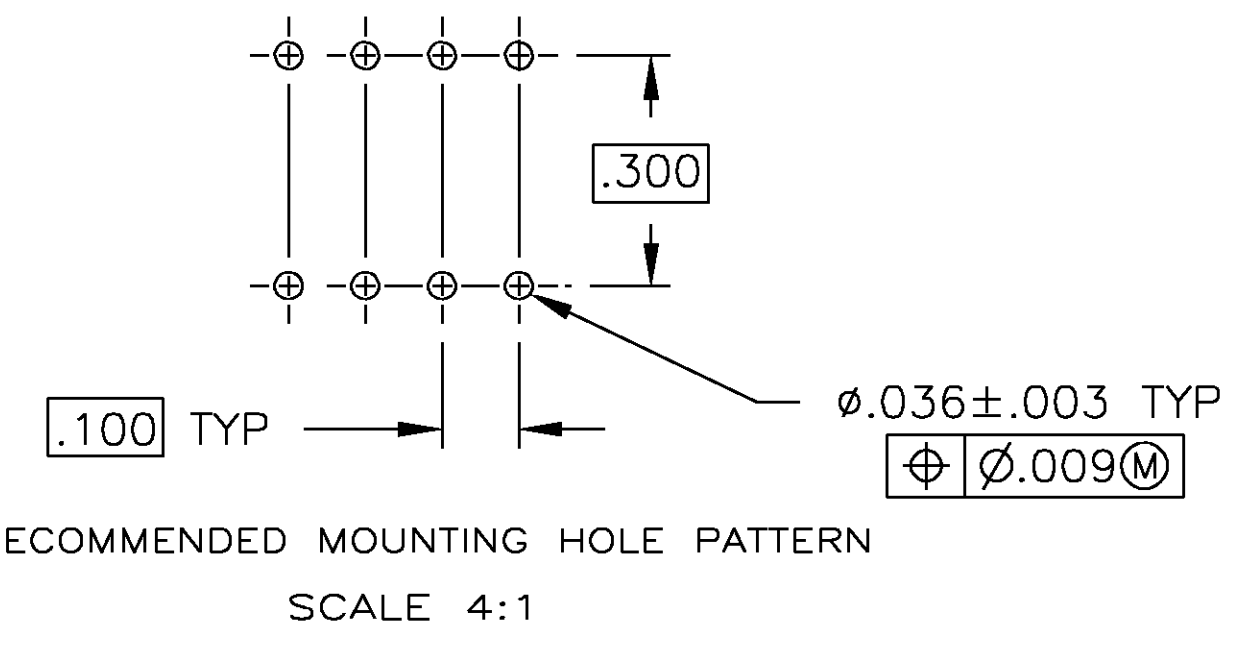
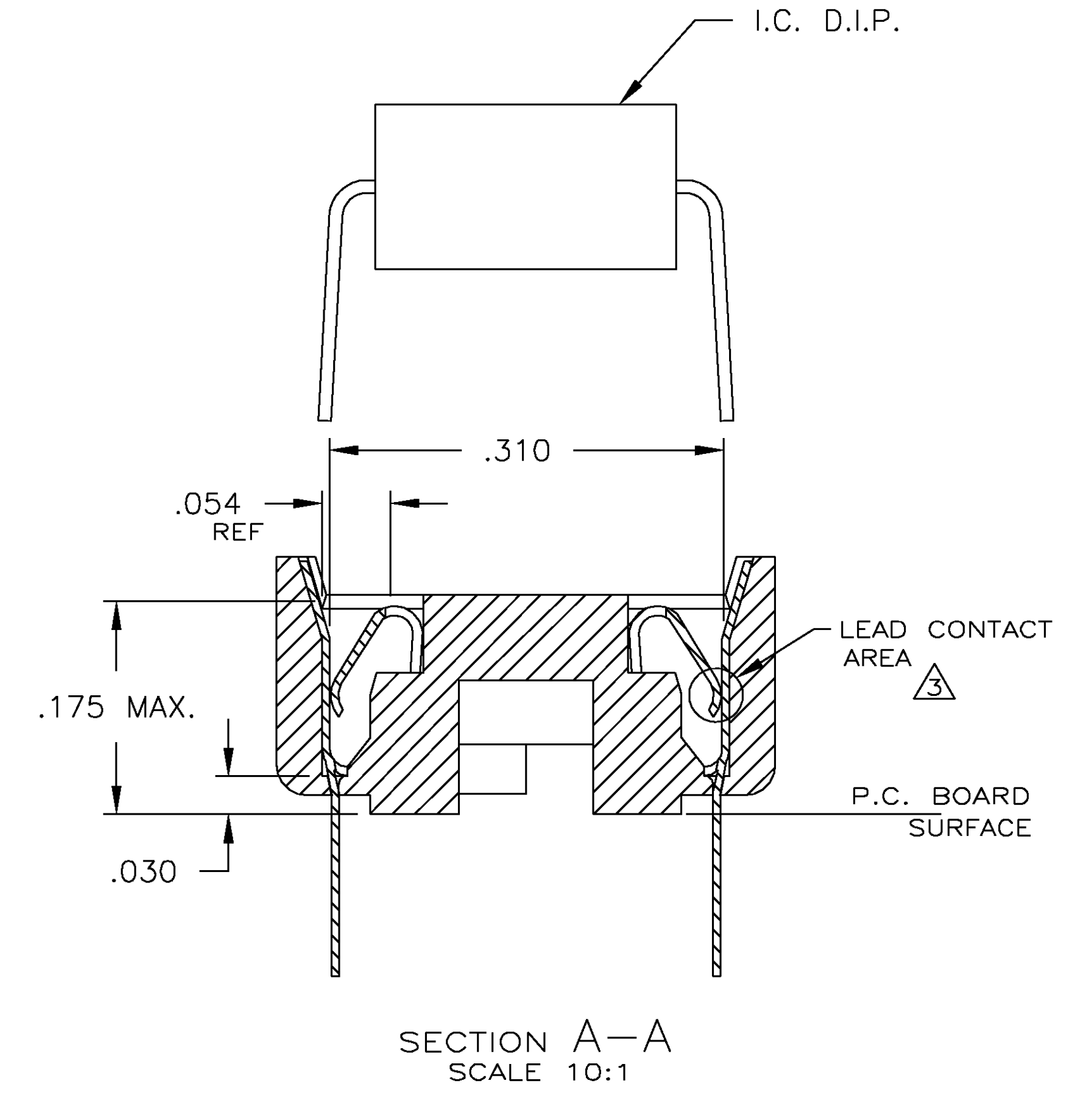
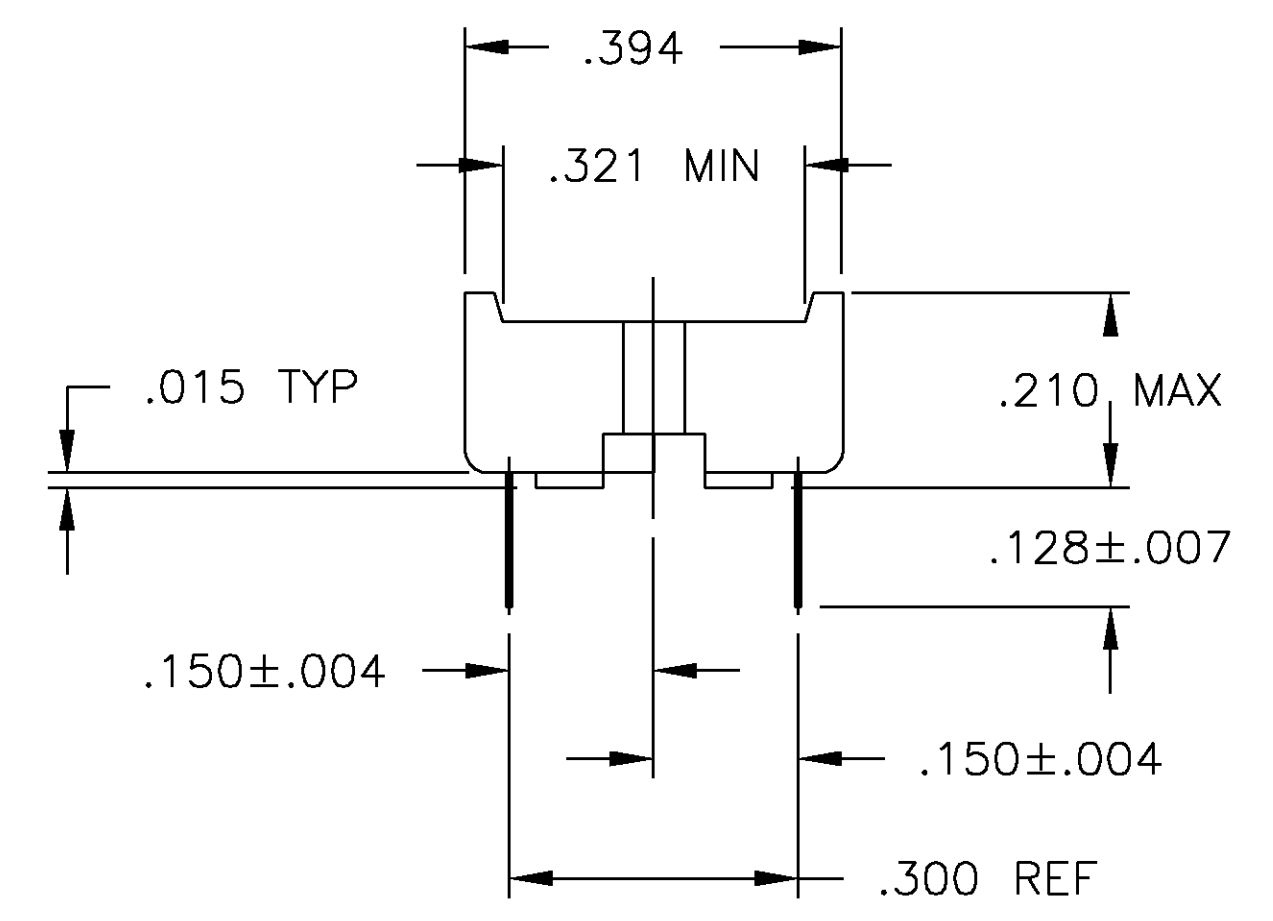
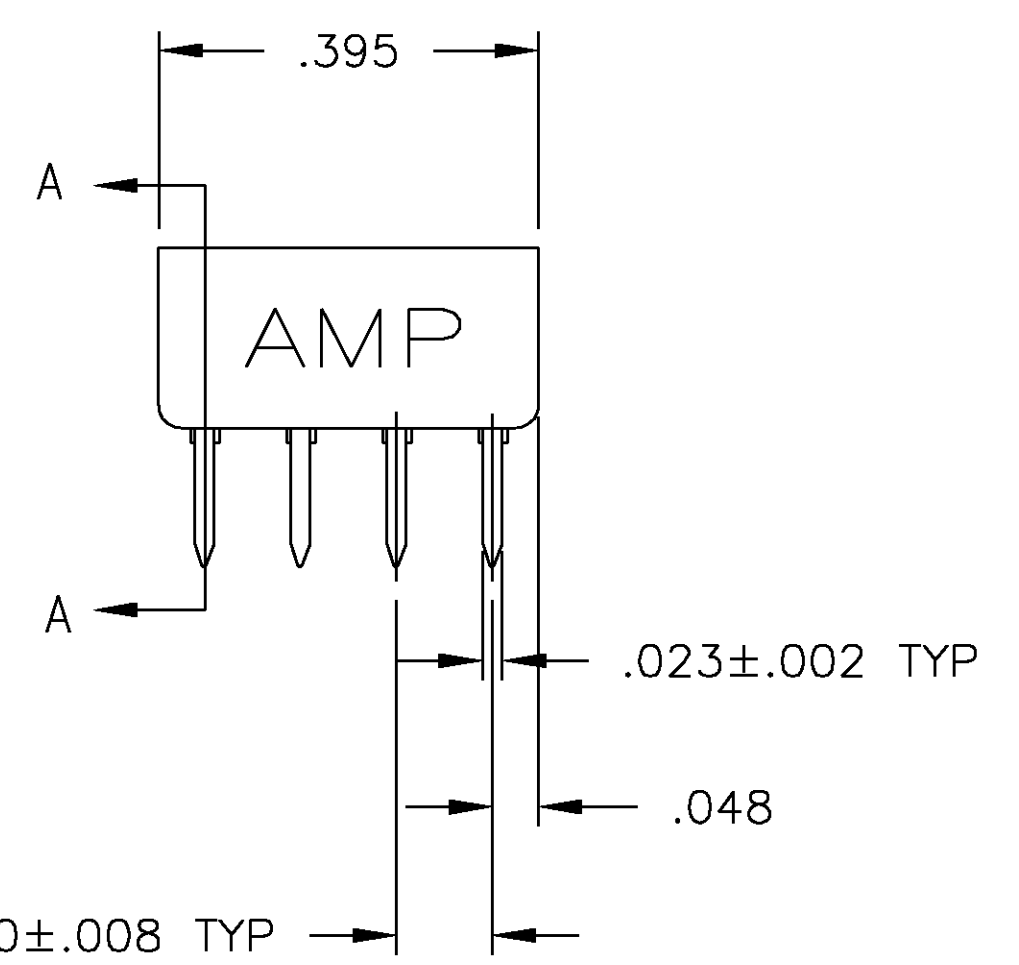
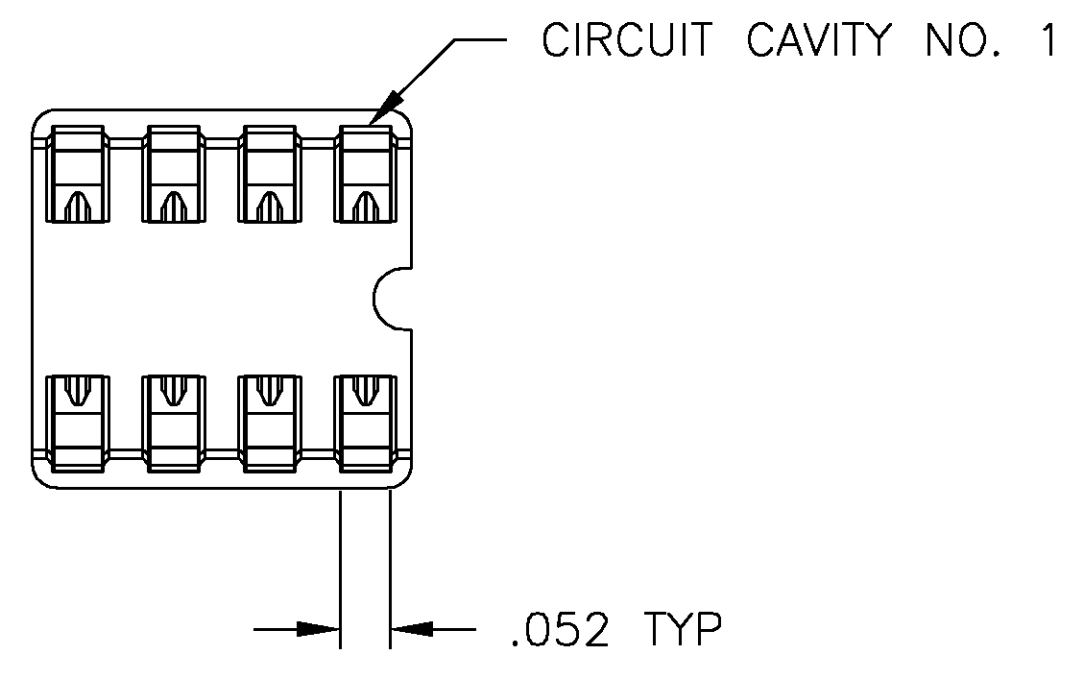


1. RECEPTACLE ACCEPTS A .008-.014 THICK I.C. LEAD.
2. TUBE LOADED.
3. TWO .000030 MIN THK. GOLD STRIPES IN CONTACT AREA WITH TIN-LEAD (93/7) ON CONTACT LEGS, BALANCE OF CONTACT NICKEL PLATED.



OBSOLETE	TINNED	PHOS. BRZ	BROWN GLASS-FILLED PCT	2-382462-4	
		PHOS. BRZ	BROWN GLASS-FILLED PCT	2-382462-3	
	TINNED	BE.CU.	BROWN GLASS-FILLED PCT	2-382462-1	
	CONTACT FINISH	CONTACT MAT'L	HOUSING MATERIAL	PART NO.	
THIS DRAWING IS A CONTROLLED DOCUMENT.		DWG: R BROWN	DATE: 04JAN01	Tyco Electronics Corporation	
DIMENSIONS: INCHES		OK: H WYNKOOP	17NOV00	Harrisburg, PA 17105	
TOLERANCES UNLESS OTHERWISE SPECIFIED:		APVD: H WYNKOOP	17NOV00	NAME: SOCKET ASSY, DIP, HT, 8 POS, DIPLOMATE™ DL	
0 PLC ± -		PRODUCT SPEC	108-1066	APPLICATION SPEC	
1 PLC ± -		114-1052	SIZE: A1	CAGE CODE: 00779	DRAWING NO: 382462
2 PLC ± -			WEIGHT: -	SCALE: 5:1	SHEET 1 OF 1
3 PLC ± .005					REV: K
4 PLC ± -					
ANGLES ± ±					
MATERIAL: SEE TABLE	FINISH: SEE TABLE	CUSTOMER DRAWING			