

Features

LED DRIVER

- 25W Class II AC-DC LED Power Supply
- 350mA, 700mA, 1050mA Output
- Active Power Factor Correction >0.90
- Efficiency to 85%
- EN and UL

Selection Guide

Part Number	Rated Power (W)	Output Current (mA)	Output Voltage (VDC)	Efficiency (typ.)
RACD25-500	25	500	42 - 52	82%
RACD25-700	25	700	21 - 36	85%
RACD25-1050	25	1050	16 - 24	84%
RACD25-1400	25	1400	12-18	83%

Specifications (measured at 230VAC and 25°C ambient temperature)

Input Voltage Range	90-295 VAC or 127-417 VDC	
Input Frequency Range	47-63Hz	
Power Factor	Full Load, 240VAC	>0.90
	Full Load, 115VAC	>0.98
Current Accuracy	700mA Version	±7%
	others	±8%
AC Input Current	120VAC	0.4A
	240VAC	0.2A
Inrush Current (<2ms)	264VAC	Cold Start 20A
Isolation Voltage	3.75kVAC	
Short Circuit Protection	Continuous	
Over Voltage Protection	110% - 150%	
Over Temperature Protection	Rth Type	Internal Thermistor Auto-Recovery Mode
Vibration	10-500Hz	2G for 60 min. each along X, Y, Z axes
Storage Humidity	10% - 95% RH	
Operating Humidity	20% - 95% RH Non-Condensing	
Weight	220g	
Dimension	174.5 x 30.5 x 25mm	
Operating Temperature	-20°C to +50°C	
Storage Temperature	-40°C to +80°C	
Ripple & Noise	3V max.	
IP Rating	IP65	
Isolation Resistance	100MΩ / 500VDC at 25°C	
Safety Standards	EN61347-1 EN61347-2-13 UL8750 EN61000-3-2 Class C EN61000-4-2,3,4,5,6,11 EN61547 EN55015 FCC15	
MTBF (+25°C)	using MIL-HDBK 217F	200 x 10 ³ hours min.

RACD25

LIGHTLINE
AC/DC-Converter
with 5 year Warranty

RECOM

**25 Watt PFC
Single
Output**



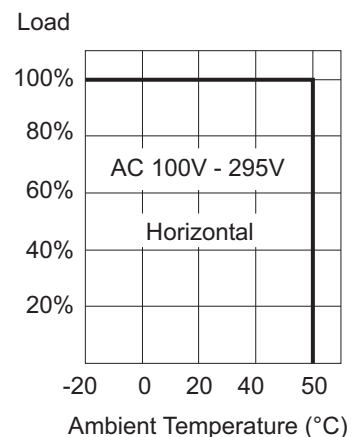
CE



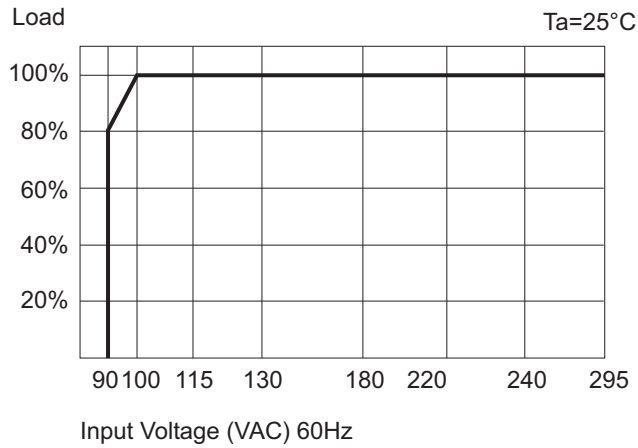
**UL 8750 Certified
EN 61347 Certified**

RACD25

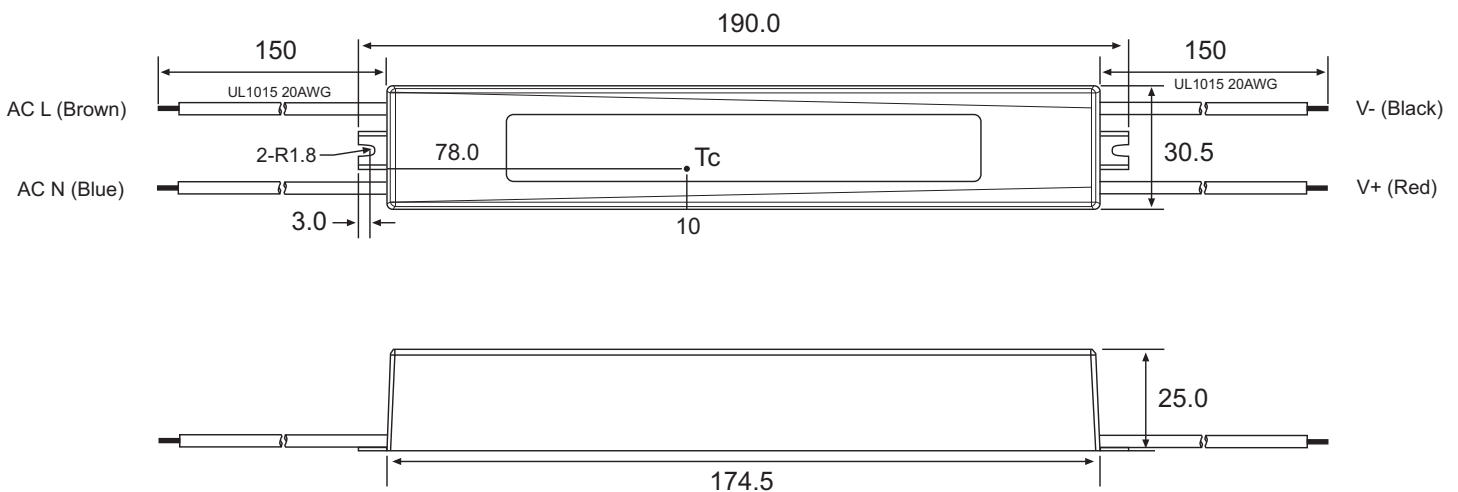
Derating-Graph
(Ambient Temperature)



Typical Characteristics



Package Style & Pinning



RACD25