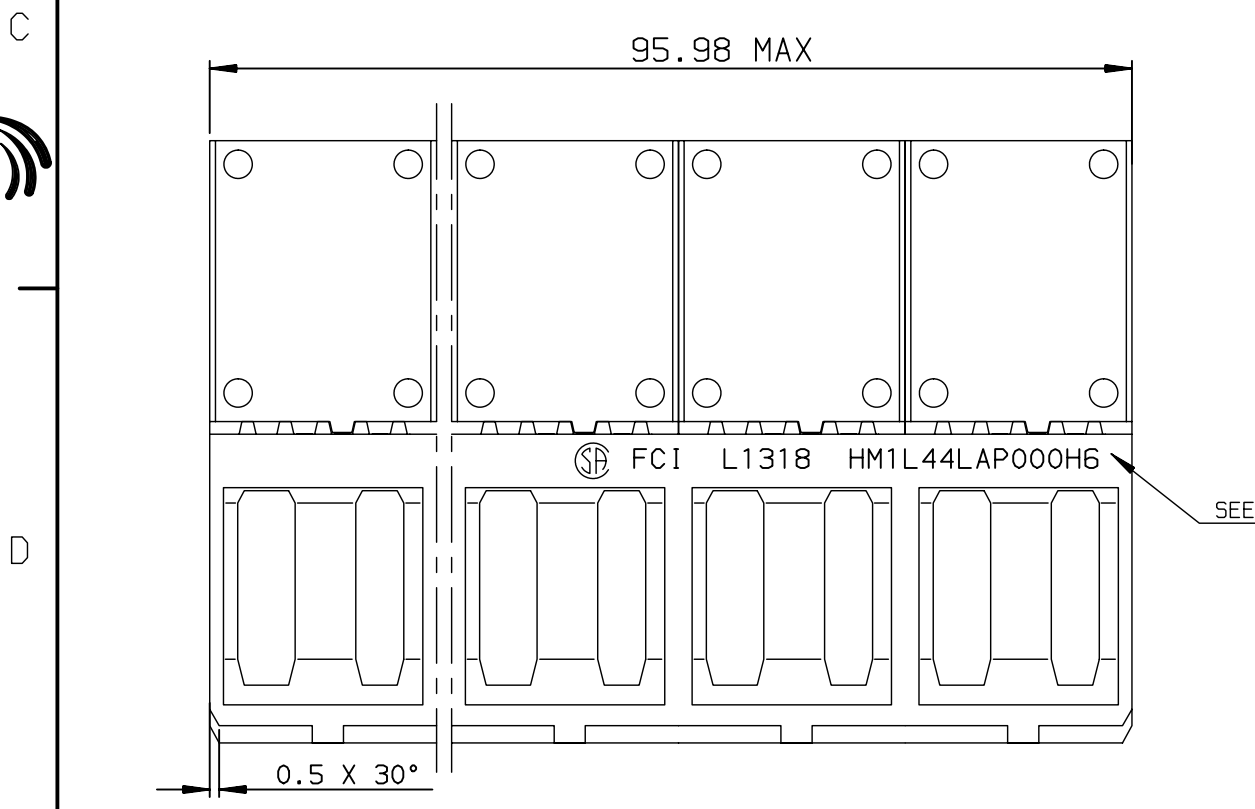
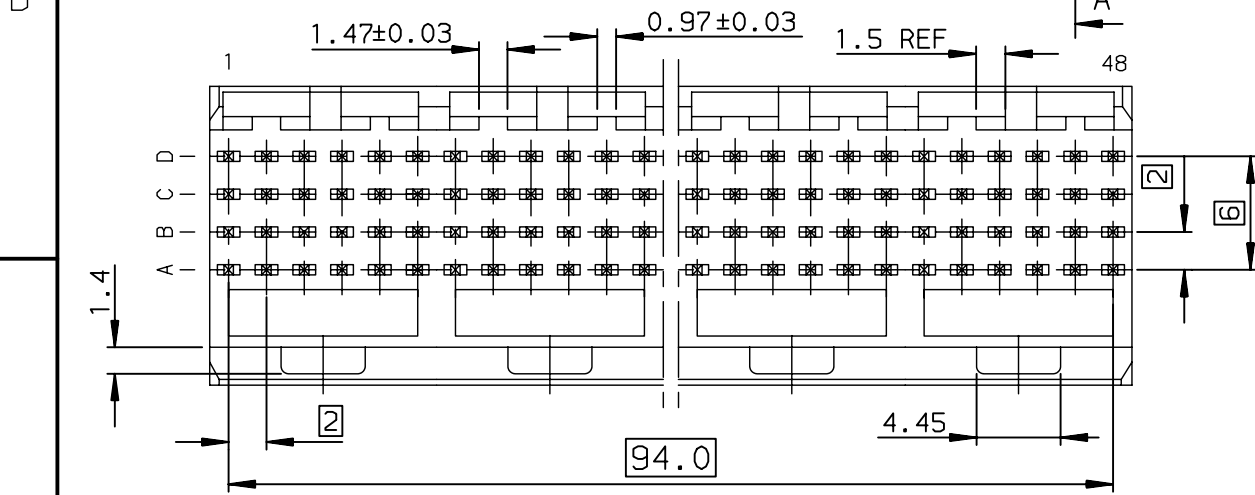
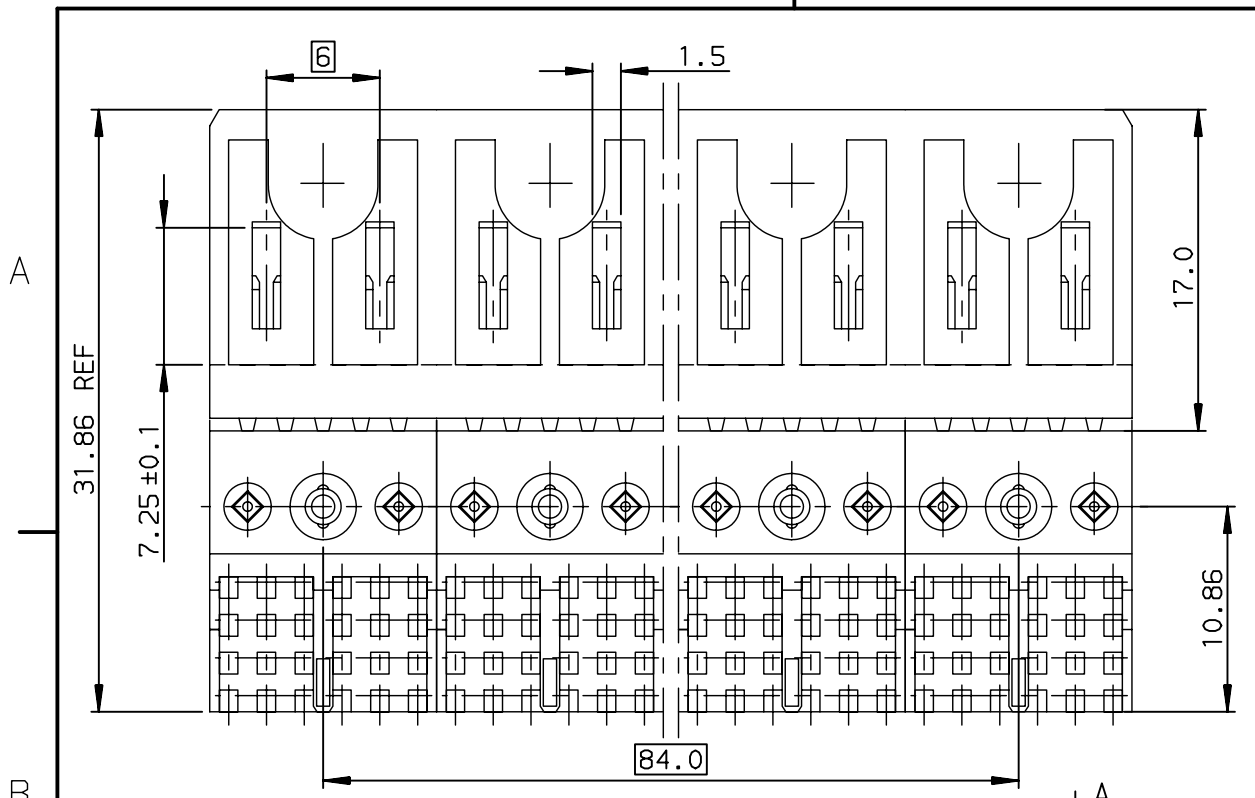


1

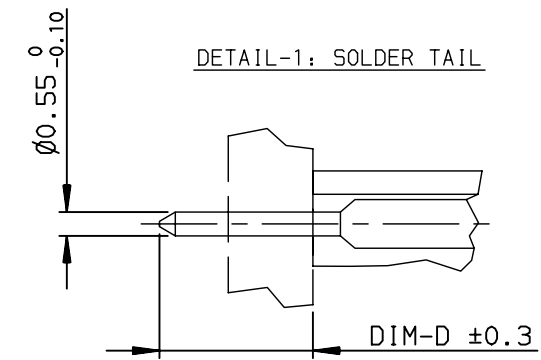
2

3

4



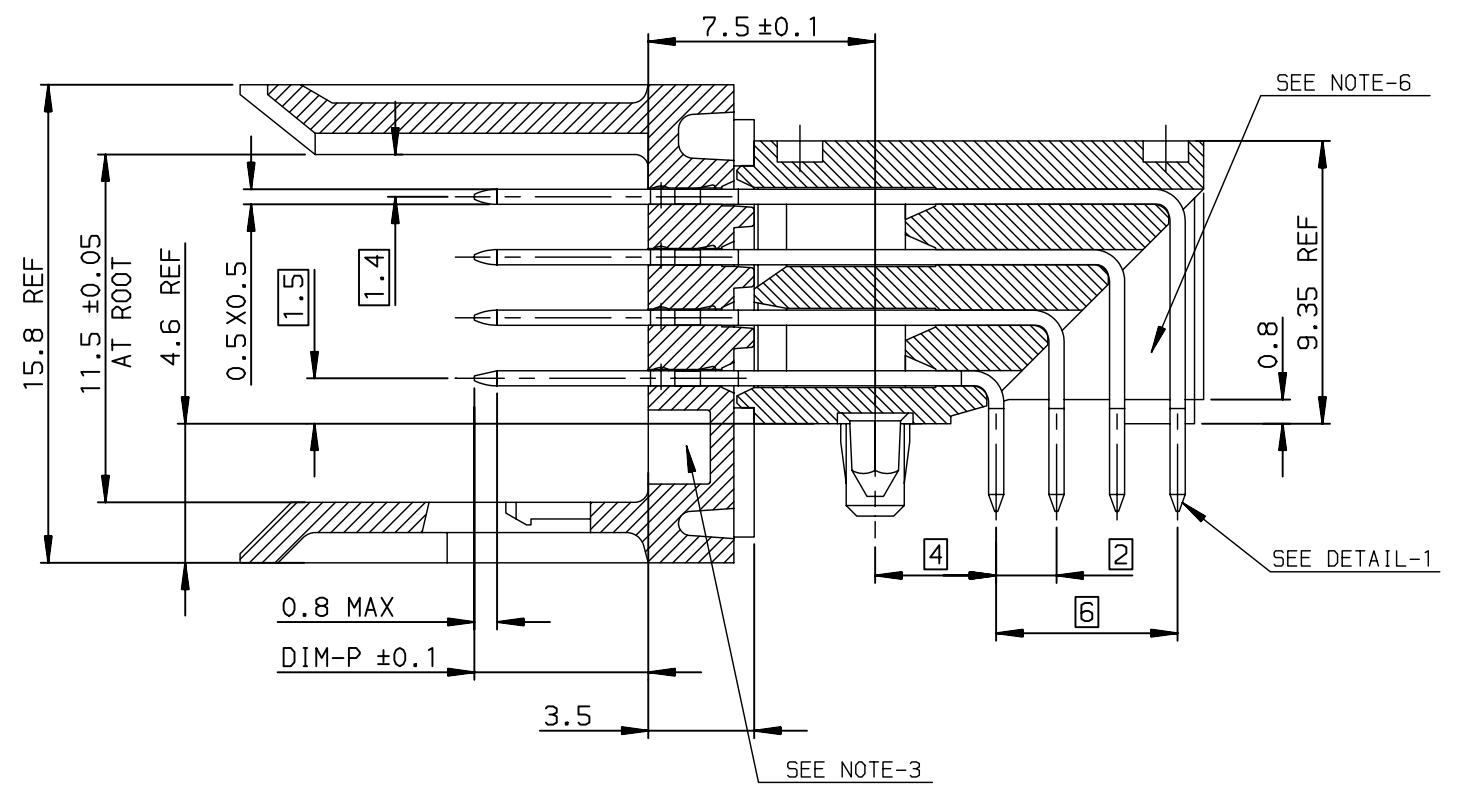
8 MODULE SIZE



GENERAL CHARACTERISTICS AND ROHS INFORMATIONS:
 SEE PRODUCT SPECIFICATION GS-12-446

- NORMINATIVE REF = IEC-61076-4-104
- NOTE-2: ONE CENTER PEG FOR HOLD DOWN FORCE
- NOTE-3: CODING RECESS FOR 8MM EXTENDED KEYS
- NOTE-4: PRODUCT MARKING = FCI + BATCH CODE + PRODUCT NUMBER
- FOR 8 MODULE SIZE, ADD CSA LOGO MARKING
- NOTE-6: CENTRAL WALL WITH END REAR SUPPORT
- NOTE-7: PACKAGING IN TRAY + COVER
- IF SUFFIX "P" IS ADDED IN P/N PACKAGING IS IN TRAYS BUT CONNECTOR MARKING IS WITHOUT "P"
- EXAMPLE: HM1XXXXXXXXH6P, MARKED HM1XXXXXXXXH6

SECTION-A SCALE: 4/1



OTHERS INFORMATIONS, SEE DRW C-8626-0157-2

European Views

www.fciconnect.com		surface ISO 1302	tolerance std ISO 406 ISO 1101	projection mm
TOLERANCES UNLESS OTHERWISE SPECIFIED				size A3
Dr	CHAMPION	1995/01/25	ANGULAR	Scale 2.5:1
Eng	LENOIR	1995/01/25	LINEAR	ECN LS07-0184
Chr	LEGARE	1995/01/25	0.XX' ± 2'	Product family METRAL
Appr	LEGARE	1995/01/25	0.XXX ± 0.1	Spec ref -
rev	ecn no	dr	date	title METRAL RA HDR WB CONVERGE
F	-	CHA	2003/07/03	4x48 CTS - STB PUSH PEG
G	LS05-0056	LGO	2005/05/02	catalog no -
H	LS06-0097	LGO	2006/07/21	dwg no C-8626-0157-1
J	LS07-0184	MLE	2007/07/24	Rev. J
-	-	-	-	CUSTOMER sheet 1 of 2

SEE NOTE-4

Copyright FCI. FCI

