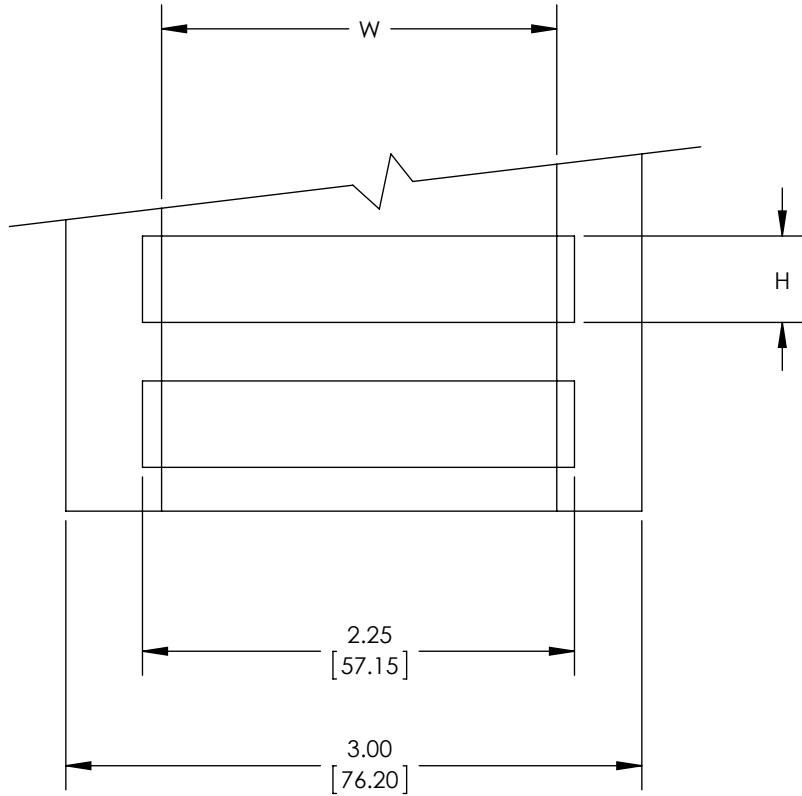


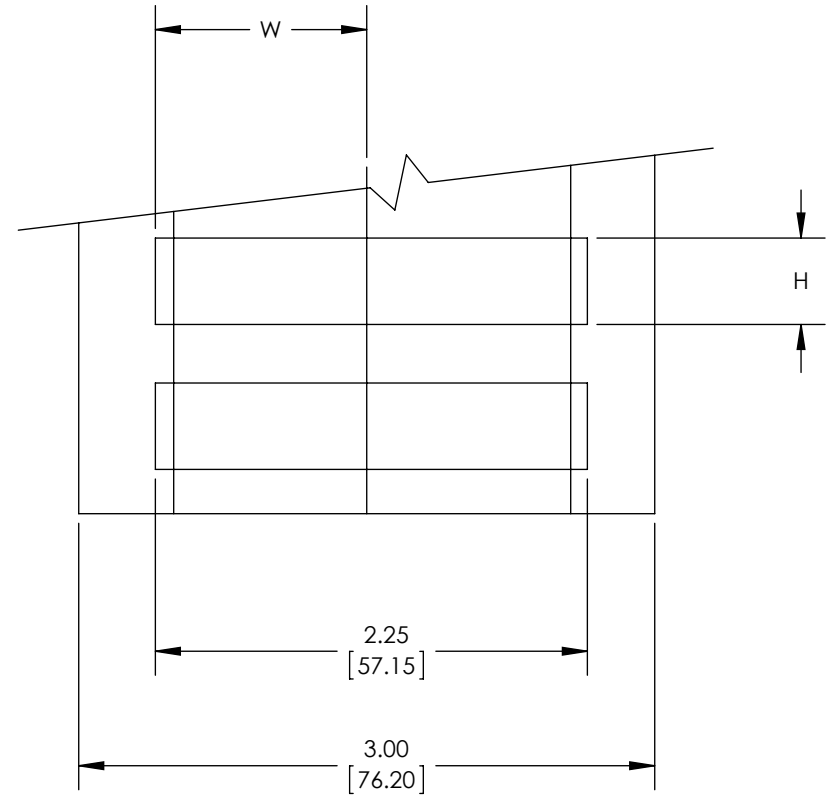
SW2015



Revision level			Revision Record	Changed	Date	Approved	Date
Drawing	State	Part					
01.2	Design Release		SEE ECN# 013740	CAS	2/12/2018	KAC	2/12/2018



UNSLIT



SLIT

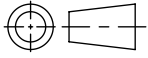
NOTES:

1. 3:1 SHRINK RATIO
2. PRODUCT THICKNESS 3 MIL
3. SHRINK TEMPERATURE +194°F (+90°C)
4. OPERATING TEMPERATURE +67°F TO 275°F (-55°C TO +135°C)
5. FLAME RETARDANT
6. FLAMMABILITY UL224 VW1
7. STANDARD COLORS WHITE, YELLOW & BLACK
8. UL RATING MEETS UL-224 AS +257 °F (+125 °C), 600V (VW-1)
9. CERTIFICATION AMS-DTL-23053/5 CLASS 1 AND 3, SAE-AS81531, MIL-STD-202G METHOD 215K

SEE PAGE 2 FOR TYPE NAME AND OTHER INFORMATION

Material POLYOLEFIN	Units: inches	The copyright of this drawing is reserved by HellermannTyton. It is issued on condition that it is not reproduced, copied, or disclosed to a third party, either wholly or in part, without the consent of HellermannTyton.	Drawn	GRW	3/2/2017	Article/Type-No	HST_	Scale	
	Dimension without tolerances details to: .xxxx = ±.0005 .xxx = ±.005 .xx = ±.01 .x = ±.03 None = ±.06 ∠ = ±0.5° Dimension Formatted in [mm]		Approved	KAC	3/2/2017	Title	SHRINKTRAK HEAT SHRINKABLE MARKERS, SLIT/UNSLIT, SINGLE SIDED	Project Number	PRP 17-0575
	 North America Email: corp@htamericas.com Web: www.hellermann.tyton.com		Drawing-No	PRODUCTION : Phase		Format	AH		
			17-0575-001-CSU	Sheet	1/2				

SW2015



Revision level			Revision Record	Changed	Date	Approved	Date
Drawing	State	Part					
01.2	Design Release		SEE ECN# 013740	CAS	2/12/2018	KAC	2/12/2018

GLOBAL PART NAME	TYPE	ARTICLE NUMBER	COLOR	CENTER SLIT	WIDTH (W) IN. (mm.)	HEIGHT (H) IN. (mm.)	PKG. QTY.
0.125" (3.17mm) - OUTSIDE DIAMETER							
HST3-1BK-PO-X-BK	HST3-1BK	553-50001	BLACK	-	1.9" (48.26)	.235" (5.97)	250
HST3-1WH-PO-X-WH	HST3-1WH	553-50002	WHITE	-	1.9" (48.26)	1.90" (48)	250
HST3-1WH-PO-X-WH	HST3-1WH	553-50003	WHITE	-	1.9" (48.26)	1.90" (48)	1000
HST3-1WH-PO-X-WH	HST3-1WH	553-50078	WHITE	-	1.9" (48.26)	.235" (5.97)	2500
HST3-1WH-S-PO-X-WH	HST3-1WH-S	553-50004	WHITE	SINGLE	.95" (24.1)	.235" (5.97)	500
HST3-1WH-S-PO-X-WH	HST3-1WH-S	553-50074	WHITE	SINGLE	.95" (24.1)	.235" (5.97)	2000
HST3-1WH-S-PO-X-WH	HST3-1WH-S	553-50067	WHITE	SINGLE	.95" (24.1)	.235" (5.97)	5000
HST3-1WH-2S-PO-X-WH	HST3-1WH-2S	553-50070	WHITE	DOUBLE	.63" (16.08)	.235" (5.97)	750
HST3-1WH-2S-PO-X-WH	HST3-1WH-2S	553-50075	WHITE	DOUBLE	.63" (16.08)	.235" (5.97)	3000
HST3-1WH-3S-PO-X-WH	HST3-1WH-3S	553-50063	WHITE	TRIPLE	.475" (12.07)	.235" (5.97)	1000
HST3-1WH-3S-PO-X-WH	HST3-1WH-3S	553-50088	WHITE	TRIPLE	.475" (12.07)	.475" (12.07)	4000
HST3-1YE-PO-X-YE	HST3-1YE	553-50005	YELLOW	-	1.9" (48.26)	.235" (5.97)	250
HST3-1YE-PO-X-YE	HST3-1YE	553-50006	YELLOW	-	1.9" (48.26)	.235" (5.97)	1000
HST3-1YE-S-PO-X-YE	HST3-1YE-S	553-50007	YELLOW	SINGLE	.95" (24.1)	.235" (5.97)	500
HST3-1YE-S-PO-X-YE	HST3-1YE-S	553-50076	YELLOW	SINGLE	.95" (24.1)	.235" (5.97)	2000
HST3-1YE-2S-PO-X-YE	HST3-1YE-2S	553-50071	YELLOW	DOUBLE	.63" (16.08)	.235" (5.97)	750
HST3-1YE-2S-PO-X-YE	HST3-1YE-2S	553-50077	YELLOW	DOUBLE	.63" (16.08)	.235" (5.97)	3000
0.187" (4.74 mm) - OUTSIDE DIAMETER							
HST4.8-1.6BK-PO-X-BK	HST4.8-1.6BK	553-50008	BLACK	-	1.9" (48.26)	.312" (7.92)	250
HST4.8-1.6WH-PO-X-WH	HST4.8-1.6WH	553-50009	WHITE	-	1.9" (48.26)	.312" (7.92)	250
HST4.8-1.6WH-PO-X-WH	HST4.8-1.6WH	553-50010	WHITE	-	1.9" (48.26)	.312" (7.92)	1000
HST4.8-1.6WH-PO-X-WH	HST4.8-1.6WH	553-50177	WHITE	-	1.9" (48.26)	.312" (7.92)	3000
HST4.8-1.6WH-PO-X-WH	HST4.8-1.6WH	553-50079	WHITE	-	1.9" (48.26)	.312" (7.92)	5000
HST4.8-1.6WH-S-PO-X-WH	HST4.8-1.6WH-S	553-50011	WHITE	SINGLE	.95" (24.1)	.312" (7.92)	500
HST4.8-1.6WH-S-PO-X-WH	HST4.8-1.6WH-S	553-50080	WHITE	SINGLE	.95" (24.1)	.312" (7.92)	2000
HST4.8-1.6WH-S-PO-X-WH	HST4.8-1.6WH-S	553-50247	WHITE	SINGLE	.95" (24.1)	.312" (7.92)	10000
HST4.8-1.6WH-S-PO-X-WH	HST4.8-1.6WH-S	553-50176	WHITE	SINGLE	.95" (24.1)	.312" (7.92)	10000
HST4.8-1.6WH-2S-PO-X-WH	HST4.8-1.6WH-2S	553-50068	WHITE	DOUBLE	.63" (16.08)	.312" (7.92)	750
HST4.8-1.6WH-2S-PO-X-WH	HST4.8-1.6WH-2S	553-50072	WHITE	DOUBLE	.63" (16.08)	.312" (7.92)	3000
HST4.8-1.6WH-3S-PO-X-WH	HST4.8-1.6WH-3S	553-50064	WHITE	TRIPLE	.475" (12.07)	.312" (7.92)	1000
HST4.8-1.6WH-3S-PO-X-WH	HST4.8-1.6WH-3S	553-50081	WHITE	TRIPLE	.475" (12.07)	.312" (7.92)	4000
HST4.8-1.6YE-PO-X-YE	HST4.8-1.6YE	553-50012	YELLOW	-	1.9" (48.26)	.312" (7.92)	250
HST4.8-1.6YE-PO-X-YE	HST4.8-1.6YE	553-50013	YELLOW	-	1.9" (48.26)	.312" (7.92)	1000
HST4.8-1.6YE-S-PO-X-YE	HST4.8-1.6YE-S	553-50014	YELLOW	SINGLE	.95" (24.1)	.312" (7.92)	500
HST4.8-1.6YE-2S-PO-X-YE	HST4.8-1.6YE-2S	553-50069	YELLOW	DOUBLE	.63" (16.08)	.312" (7.92)	750
HST4.8-1.6YE-2S-PO-X-YE	HST4.8-1.6YE-2S	553-50073	YELLOW	DOUBLE	.63" (16.08)	.312" (7.92)	3000
0.25" (6.35 mm) - OUTSIDE DIAMETER							
HST6-2BK-PO-X-BK	HST6-2BK	553-50015	BLACK	-	1.9" (48.26)	.420" (10.67)	250
HST6-2WH-PO-X-WH	HST6-2WH	553-50016	WHITE	-	1.9" (48.26)	.420" (10.67)	250
HST6-2WH-PO-X-WH	HST6-2WH	553-50017	WHITE	-	1.9" (48.26)	.420" (10.67)	1000
HST6-2WH-PO-X-WH	HST6-2WH	553-50018	WHITE	-	1.9" (48.26)	.420" (10.67)	5000
HST6-2WH-S-PO-X-WH	HST6-2WH-S	553-50019	WHITE	SINGLE	.95" (24.1)	.420" (10.67)	500
HST6-2YE-PO-X-YE	HST6-2YE	553-50020	YELLOW	-	1.9" (48.26)	.420" (10.67)	250
HST6-2YE-2S-PO-X-YE	HST6-2YE-2S	553-50021	YELLOW	DOUBLE	.63" (16.08)	.420" (10.67)	1000
HST6-2YE-S-PO-X-YE	HST6-2YE-S	553-50022	YELLOW	SINGLE	.95" (24.1)	.420" (10.67)	500

01.2

GLOBAL PART NAME	TYPE	ARTICLE NUMBER	COLOR	CENTER SLIT	WIDTH (W) IN. (mm.)	HEIGHT (H) IN. (mm.)	PKG. QTY.
.25" (6.35mm) - OUTSIDE DIAMETER (CONTINUED)							
HST6-2WH-2S-PO-X-WH	HST6-2WH-2S	553-50082	WHITE	DOUBLE	.63" (16.08)	.420" (10.67)	750
HST6-2YE-2S-PO-X-YE	HST6-2YE-2S	553-50083	YELLOW	DOUBLE	.63" (16.08)	.420" (10.67)	750
HST6-2WH-S-PO-X-WH	HST6-2WH-S	553-50084	WHITE	SINGLE	.95" (24.1)	.420" (10.67)	2000
HST6-2YE-S-PO-X-YE	HST6-2YE-S	553-50085	YELLOW	SINGLE	.95" (24.1)	.420" (10.67)	2000
HST6-2WH-3S-PO-X-WH	HST6-2WH-3S	553-50065	WHITE	TRIPLE	.475" (12.07)	.420" (10.67)	1000
HST6-2WH-3S-PO-X-WH	HST6-2WH-3S	553-50089	WHITE	TRIPLE	.475" (12.07)	.420" (10.67)	4000
0.375" (9.52mm) - OUTSIDE DIAMETER							
HST9-3BK-PO-X-BK	HST9-3BK	553-50023	BLACK	-	1.9" (48.26)	.597" (15.16)	250
HST9-3WH-PO-X-WH	HST9-3WH	553-50024	WHITE	-	1.9" (48.26)	.597" (15.16)	250
HST9-3WH-S-PO-X-WH	HST9-3WH-S	553-50025	WHITE	SINGLE	.95" (24.1)	.597" (15.16)	500
HST9-3WH-2S-PO-X-WH	HST9-3WH-2S	553-50251	WHITE	DOUBLE	.63" (16.08)	.597" (15.16)	750
HST9-3WH-3S-PO-X-WH	HST9-3WH-3S	553-50066	WHITE	TRIPLE	.475" (12.07)	.597" (15.16)	1000
HST9-3YE-PO-X-YE	HST9-3YE	553-50026	YELLOW	-	1.9" (48.26)	.597" (15.16)	250
HST9-3YE-S-PO-X-YE	HST9-3YE-S	553-50027	YELLOW	SINGLE	.95" (24.1)	.597" (15.16)	500
HST9-3WH-PO-X-WH	HST9-3WH	553-50192	WHITE	-	1.9" (48.26)	.597" (15.16)	1000
0.5" (12.7mm) - OUTSIDE DIAMETER							
HST12-4BK-PO-X-BK	HST12-4BK	553-50028	BLACK	-	1.9" (48.26)	.77" (19.55)	250
HST12-4WH-PO-X-WH	HST12-4WH	553-50029	WHITE	-	1.9" (48.26)	.77" (19.55)	250
HST12-4WH-S-PO-X-WH	HST12-4WH-S	553-50030	WHITE	SINGLE	.95" (24.1)	.77" (19.55)	500
HST12-4WH-S-PO-X-WH	HST12-4WH-S	553-50250	WHITE	SINGLE	.95" (24.1)	.77" (19.55)	750
HST12-4WH-3S-PO-X-WH	HST12-4WH-3S	553-50086	WHITE	TRIPLE	.475" (12.07)	.77" (19.55)	1000
HST12-4YE-PO-X-YE	HST12-4YE	553-50031	YELLOW	-	1.9" (48.26)	.77" (19.55)	250
HST12-4YE-S-PO-X-YE	HST12-4YE-S	553-50032	YELLOW	SINGLE	.95" (24.1)	.77" (19.55)	500
HST12-4YE-3S-PO-X-YE	HST12-4YE-3S	553-50087	YELLOW	TRIPLE	.475" (12.07)	.77" (19.55)	1000
HST12-4WH-PO-X-WH	HST12-4WH	553-50231	WHITE	-	1.9" (48.26)	.77" (19.55)	1000
HST12-4WH-S-PO-X-WH	HST12-4WH-S	553-50232	WHITE	SINGLE	.95" (24.1)	.77" (19.55)	2000
0.75" (19.05mm) - OUTSIDE DIAMETER							
HST18-6BK-PO-X-BK	HST18-6BK	553-50033	BLACK	-	1.9" (48.26)	1.2" (30.48)	250
HST18-6WH-PO-X-WH	HST18-6WH	553-50034	WHITE	-	1.9" (48.26)	1.2" (30.48)	250
HST18-6WH-S-PO-X-WH	HST18-6WH-S	553-50035	WHITE	SINGLE	.95" (24.1)	1.2" (30.48)	500
HST18-6YE-PO-X-YE	HST18-6YE	553-50036	YELLOW	-	1.9" (48.26)	1.2" (30.48)	250
HST18-6YE-S-PO-X-YE	HST18-6YE-S	553-50037	YELLOW	SINGLE	.95" (24.1)	1.2" (30.48)	500
HST18-6WH-PO-X-WH	HST18-6WH	553-50233	WHITE	-	1.9" (48.26)	1.2" (30.48)	1000
HST18-6WH-S-PO-X-WH	HST18-6WH-S	553-50234	WHITE	SINGLE	.95" (24.1)	1.2" (30.48)	2000
1.0" (25.4mm) - OUTSIDE DIAMETER							
HST24-8BK-PO-X-BK	HST24-8BK	553-50038	BLACK	-	1.9" (48.26)	1.69" (42.93)	250
HST24-8WH-PO-X-WH	HST24-8WH	553-50039	WHITE	-	1.9" (48.26)	1.69" (42.93)	250
HST24-8WH-S-PO-X-WH	HST24-8WH-S	553-50040	WHITE	SINGLE	.95" (24.1)	1.69" (42.93)	500
HST24-8YE-PO-X-YE	HST24-8YE	553-50041	YELLOW	-	1.9" (48.26)	1.69" (42.93)	250
HST24-8YE-S-PO-X-YE	HST24-8YE-S	553-50042	YELLOW	SINGLE	.95" (24.1)	1.69" (42.93)	500
1.5" (38.1mm) - OUTSIDE DIAMETER							
HFST39-13WH-S-PO-X-WH	HFST39-13WH-S	553-50226	WHITE	SINGLE	.95" (24.1)	2.26" (57.40)	300
HST39-13WH-PO-X-WH	HFST39-13WH	553-50209	WHITE	-	1.9" (48.26)	2.26" (57.40)	150
HFST39-13YE-PO-X-YE	HFST39-13YE	553-50225	YELLOW	-	1.9" (48.26)	2.26" (57.40)	150
HFST39-13YE-S-PO-X-YE	HFST39-13YE-S	553-50227	YELLOW	SINGLE	.95" (24.1)	2.26" (57.40)	300

Material POLYOLEFIN	Units: inches
Dimension without tolerances details to: .xxxx = ±.0005 .xxx = ±.005 .xx = ±.01 .x = ±.03 None = ±.06 ∠ = ±0.5°	Dimension Formatted in[mm]

The copyright of this drawing is reserved by HellermannTyton. It is issued on condition that it is not reproduced, copied, or disclosed to a third party, either wholly or in part, without the consent of HellermannTyton.

Drawn	GRW	3/2/2017
Approved	KAC	3/2/2017
North America Email: corp@htamericas.com Web: www.hellermann.tyton.com		

Article/Type-No	HST_	Scale	1:1
Title	SHRINKTRAK HEAT SHRINKABLE MARKERS, SLIT/UNSLIT, SINGLE SIDED	Project Number	PRP 17-0575
Drawing-No	PRODUCTION : Phase	Format	AH
17-0575-001-CSU		Sheet	2/2