

Notes

1. Material:

Insulator: PBT+30%G.F UL 94V-0
 Contact: Brass
 Shell: Spcc

2. Mechanical:

Mating: 35N max.
 Withdrawal Force: 10N min.
 Durability: 1500 cycles min.

3. Electrical:

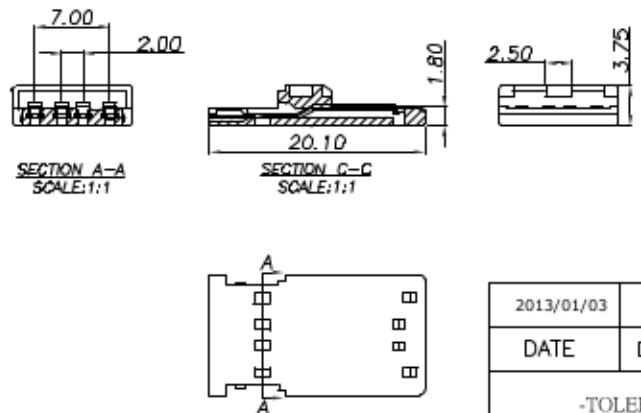
Current-max[amps]: 1.5A
 Voltage-max[volts]: 30V
 Withstanding Voltage: 500V AC.
 Contact Resistance [ohms]: 30mΩ max.
 Insulation Resistance [ohms]: 1000MΩ min.

4. Plating:

Contacts: Gold 1U" And Tin Over Nickel Plated.
 Shell: Nickel Over all Plating

5. Environmental:

Temperature Range: -55°C to +85°C



2013/01/03	XIE		NEW DWG		A0
DATE	DR.BY	ECN.NO.	DESCRIPTION	MARK	VER.
-TOLERANCES- UNLESS OTHERWISE SPECIFIED 公差参考表			CnC TECH		
			TITLE: USB 4M SOLDER 三脚式		
X.X	±0.30	X.X"	±3.00"	APPD:	PRODUCT NO: 1002-024-01300
X.XX	±0.20	X.XX"	±1.00"	CHECK:	DATE SCALE UNIT TYPE PAGE
X.XXX	±0.10	X.XXX"	±0.500"	DRAW:	2012/03/29 1:1 mm Z 1/1