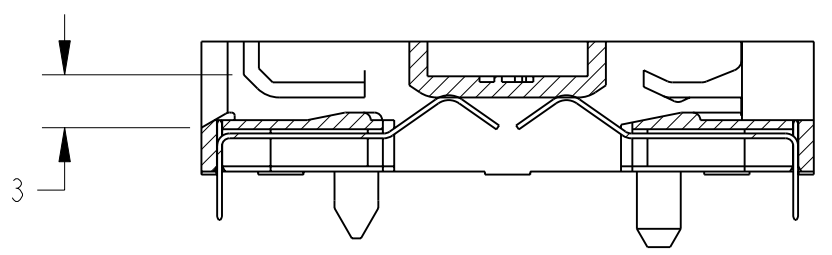


THIS DRAWING IS UNPUBLISHED. RELEASED FOR PUBLICATION
 © COPYRIGHT - ALL RIGHTS RESERVED.

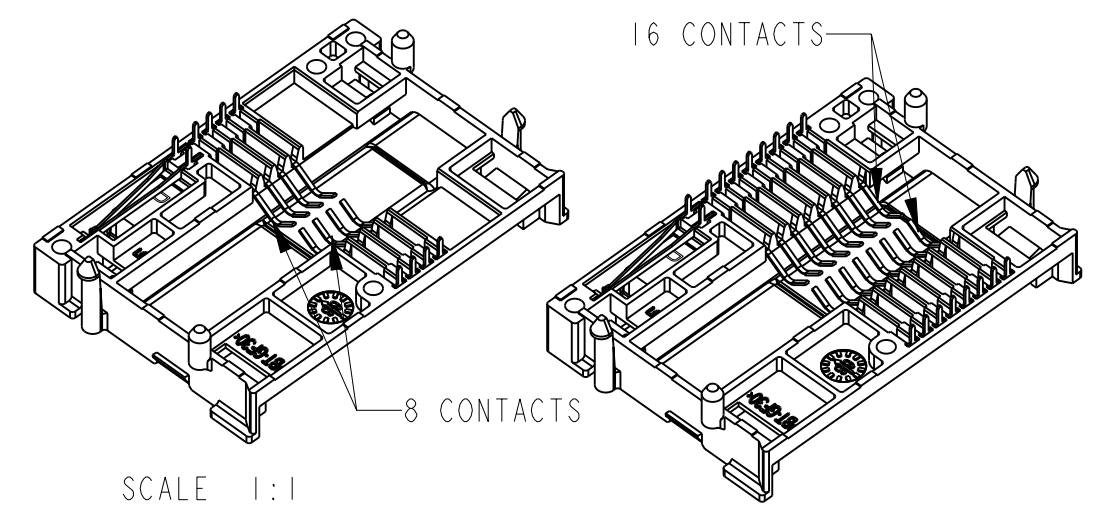
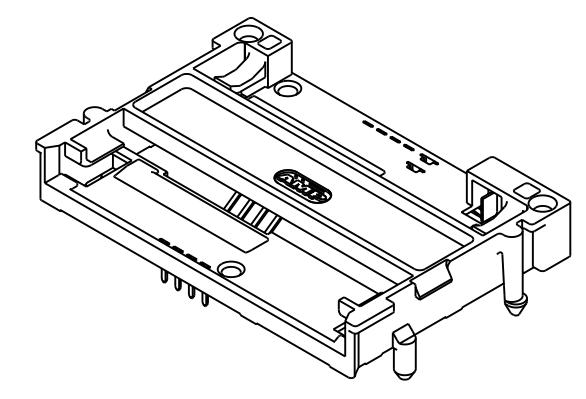
PN 5953398-1

PN 5953398-2

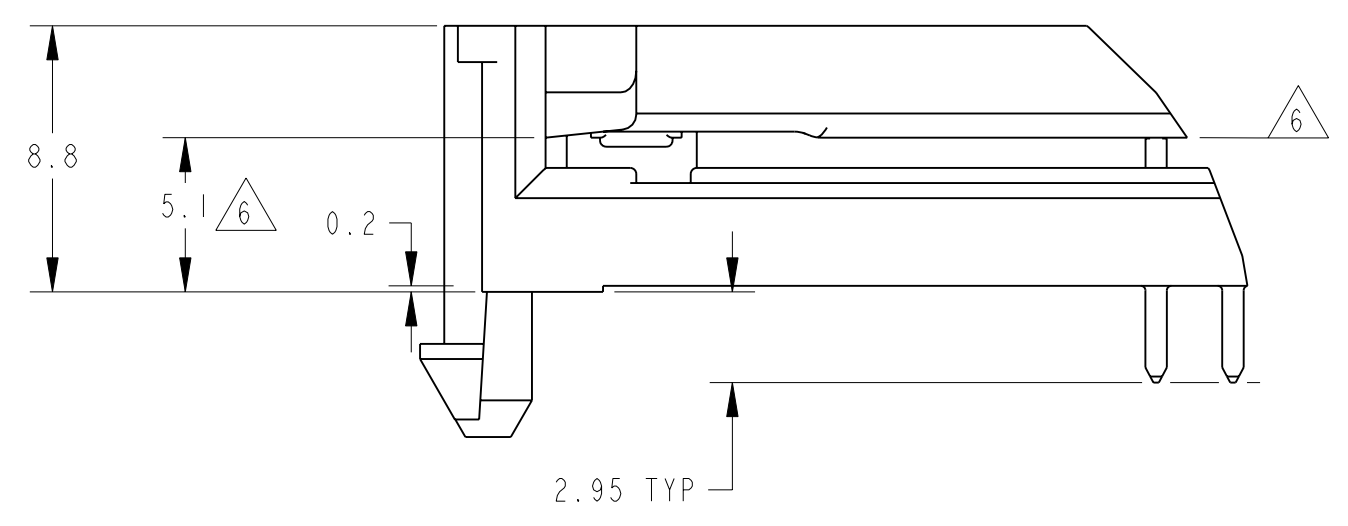
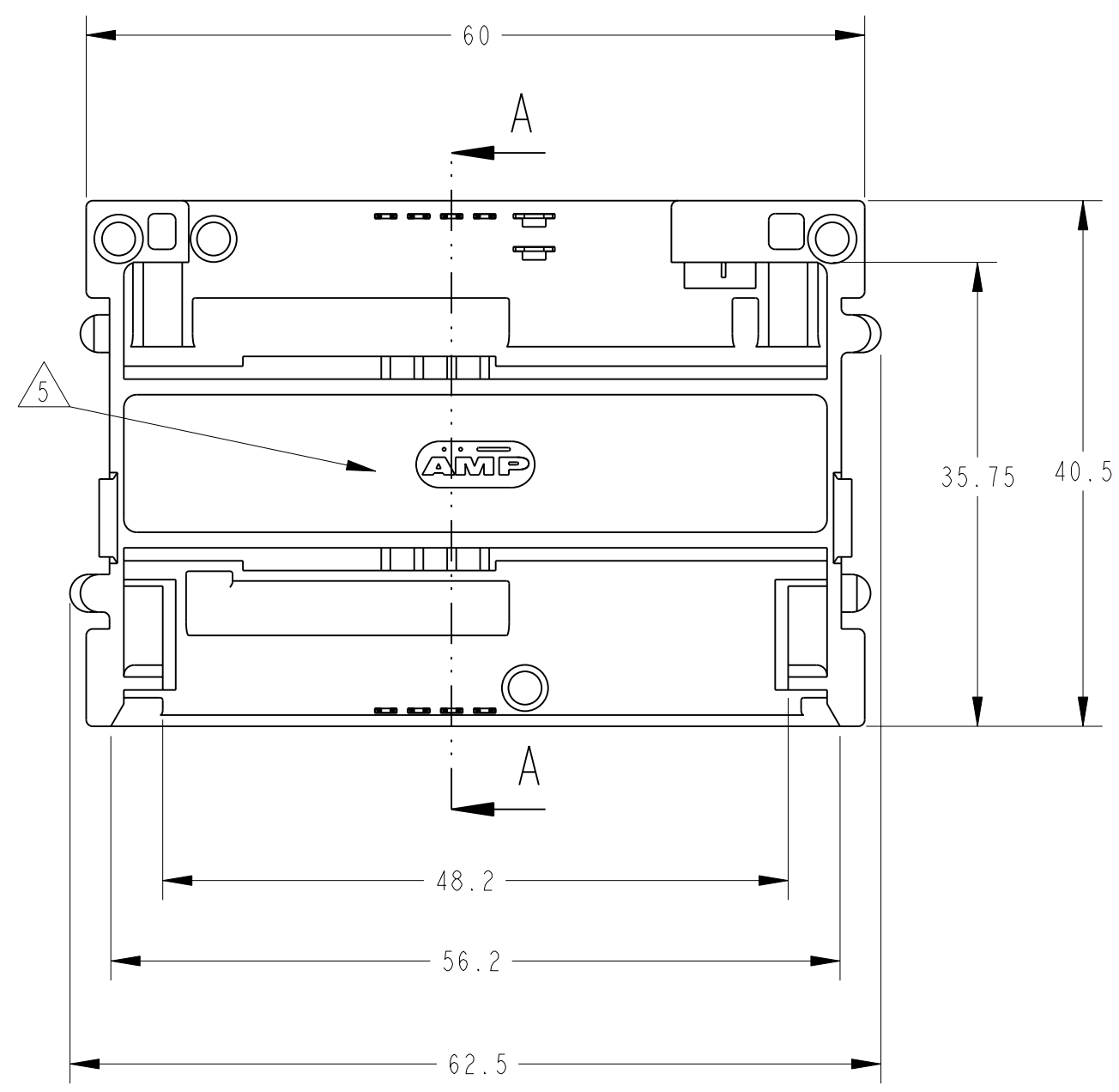
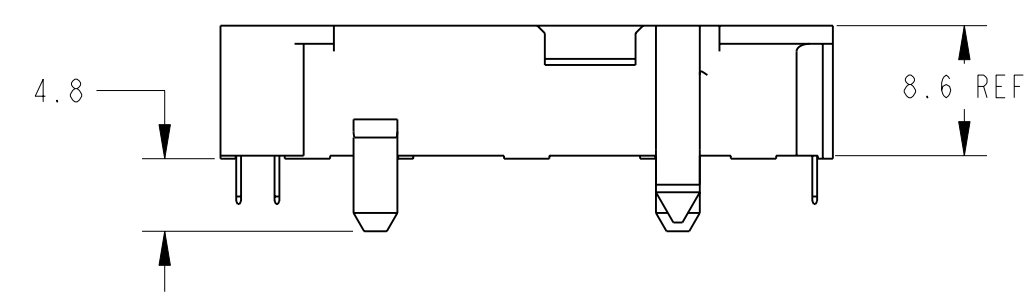
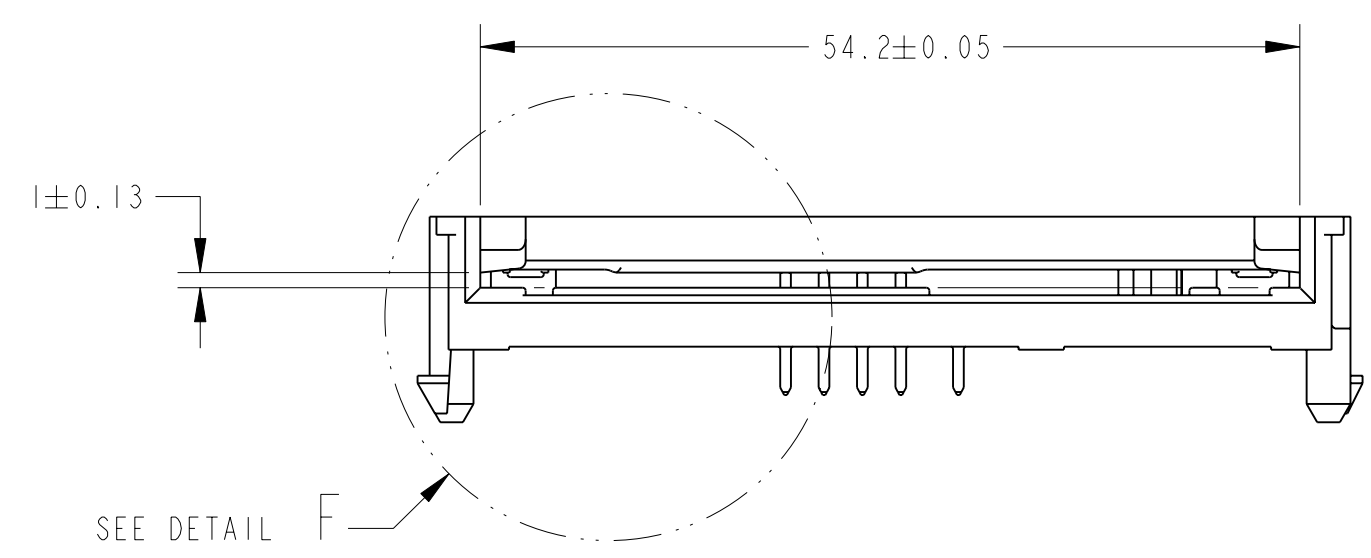
LOC	DIST	REVISIONS			
P	LTR	DESCRIPTION	DATE	DWN	APVD
IR	-	D	ECR-11-025634	20DEC2011	GG RRP



SECTION A-A



SCALE 1:1



DETAIL F
SCALE 4:1

NOTES:

CONTACTS PLATING :

- 1 OVERALL: Ni 2µm MIN, ALL OVER THE CONTACTS.
- SOLDER ZONE: Sn 2.5µm MIN ON THE SOLDER ZONE OF THE CONTACTS.
- MATING ZONE: PLATING CONFIRMS TO PRODUCT REQUIREMENTS AS PER SPECIFICATION 108-15202.

MATERIAL :

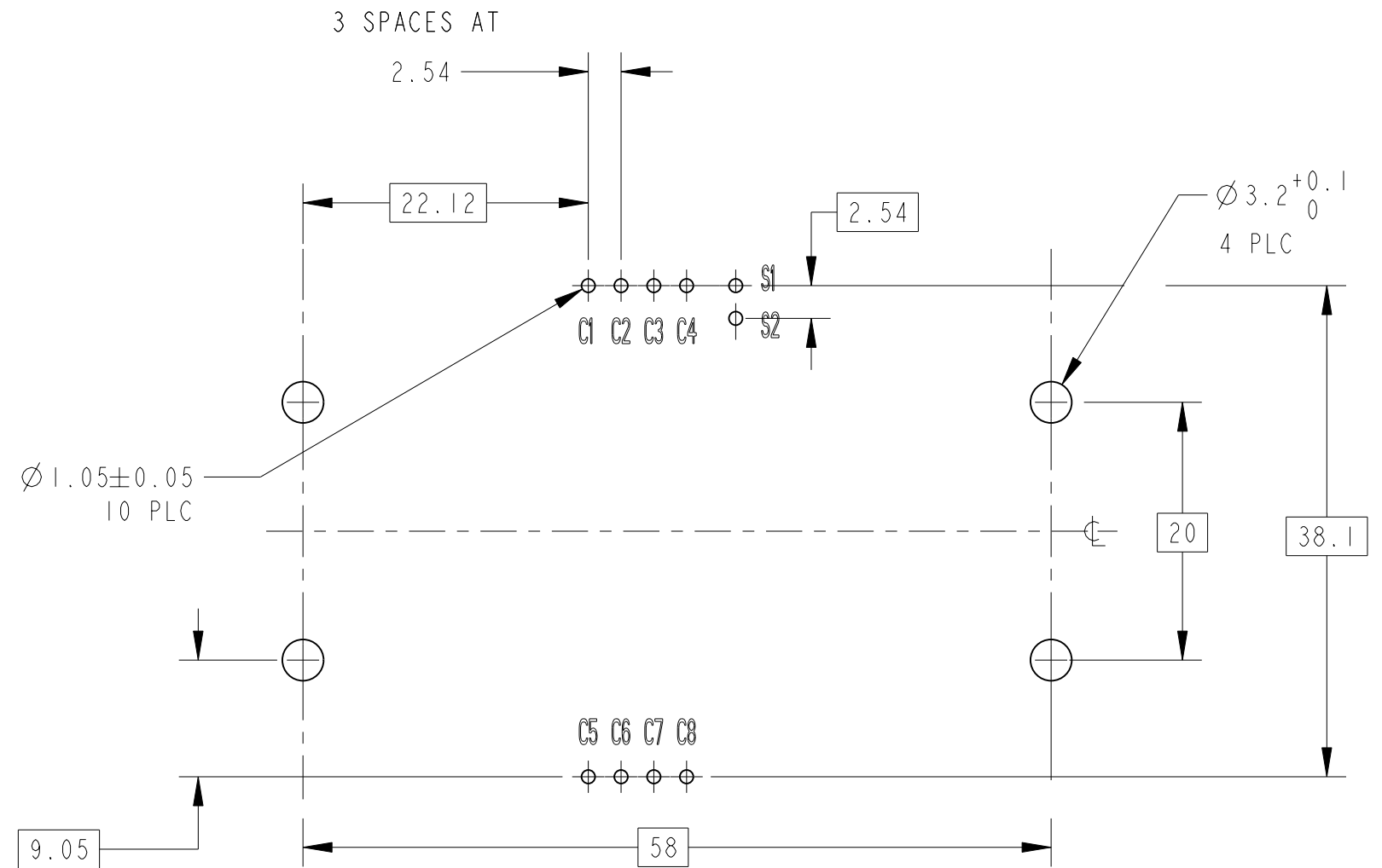
- 2 HOUSING: PBT-GF, BLACK UL 94V0.
- CONTACTS: PHOSPHOR BRONZE.
- 3 TE SMART CARD RECEPTACLE DESIGNED TO ACCEPT ISO 7810-7816 TYPE INTEGRATED CIRCUIT SMART CARDS (0.76MM REF. THICKNESS) SEE SHEET 2/2
- 4 8 POSITIONS 5953398-1 SHOWN ON DRAWING
- 5 LOGO SHAPE AND POSITION VARY DEPENDING ON MOLD CAVITY NUMBER.
- 6 DIMENSION APPLICABLE IN CARD CONTACT AREA ONLY SURFACE VARY DEPENDING ON MOLD CAVITY NUMBER

PartNumber : 5953398-1	8 POSITIONS ISO 7816
PartNumber : 5953398-2	16 POSITIONS ISO / CP8 AFNOR

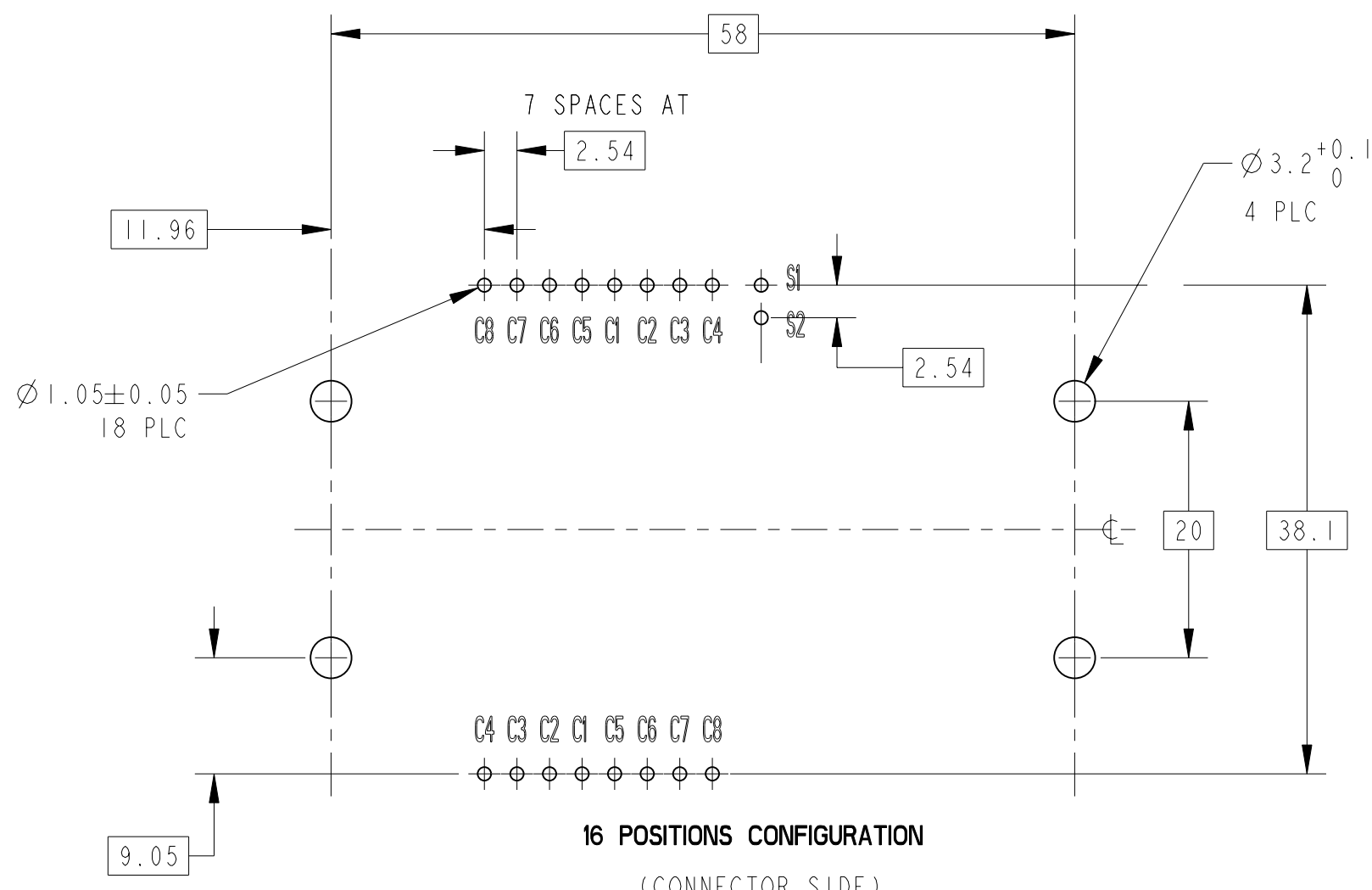
THIS DRAWING IS A CONTROLLED DOCUMENT.		DWN R. Coolen 16 Dec 04	TE Connectivity	
DIMENSIONS: mm		CHK W. Jansen		
TOLERANCES UNLESS OTHERWISE SPECIFIED:		APVD P. Jaeger	NAME	
0 PLC ±0.5	1 PLC ±0.3	PRODUCT SPEC	SMART CARD READER 0.76	
2 PLC ±0.13	3 PLC ±	APPLICATION SPEC	PCB MOUNT THROUGH HOLE, LOW PROFILE	
4 PLC ±	ANGLES ±	WEIGHT 8,5/9 g	SIZE A2	RESTRICTED TO
FINISH		CUSTOMER DRAWING	DRAWING NO	REV D

THIS DRAWING IS UNPUBLISHED. RELEASED FOR PUBLICATION
 © COPYRIGHT - ALL RIGHTS RESERVED.

LOC	DIST	REVISIONS					
		P	LTR	DESCRIPTION	DATE	DWN	APVD
IR	-	-	-	SEE SHEET 1	-	-	-



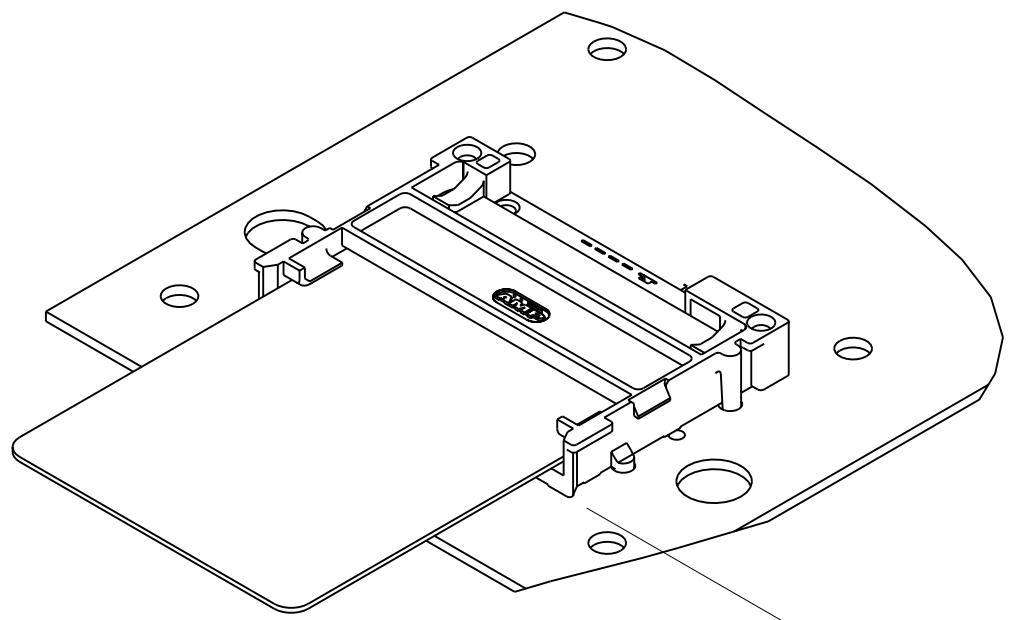
8 POSITIONS CONFIGURATION
 (CONNECTOR SIDE)
 SCALE 2:1



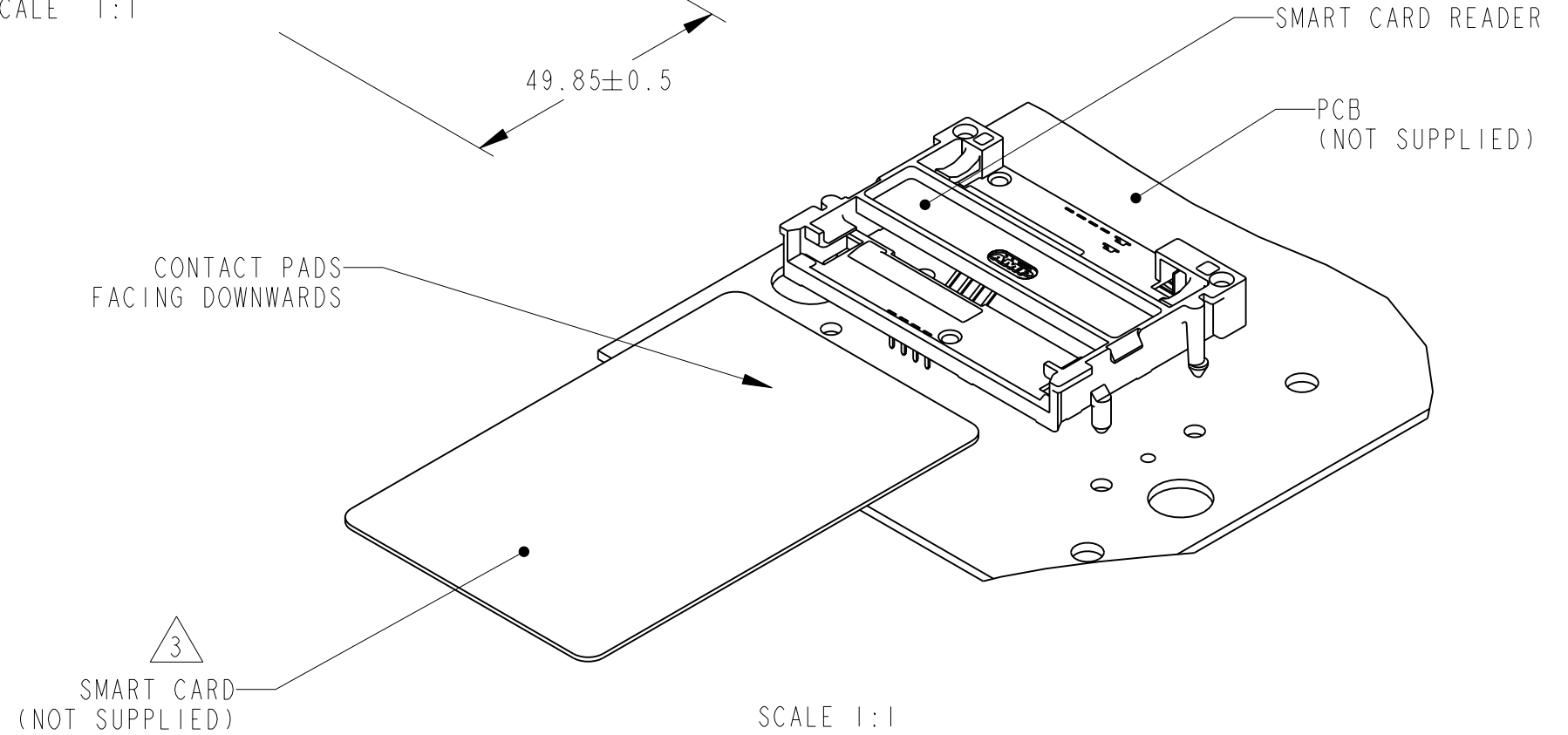
16 POSITIONS CONFIGURATION
 (CONNECTOR SIDE)

POSITION TOLERANCE FOR ALL HOLES $\text{⊕} \text{⌀} 0.1$
 PC BOARD THICKNESS 1.57 ± 0.1 (.062)

RECOMMENDED PCB LAYOUT



SCALE 1:1



SCALE 1:1

PCB MOUNTING CONFIGURATION

THIS DRAWING IS A CONTROLLED DOCUMENT.		DWN R. Coolen	16 Dec 04	TE Connectivity	
DIMENSIONS: mm		CHK W. Jansen	APVD P. Jaeger		
TOLERANCES UNLESS OTHERWISE SPECIFIED:		PRODUCT SPEC 108-15202		SIZE A2	CAGE CODE C-5953398
0 PLC ±0,5 1 PLC ±0,3 2 PLC ±0,13 3 PLC ± 4 PLC ± ANGLES ± FINISH ±		APPLICATION SPEC -		WEIGHT 8,5/9 g	RESTRICTED TO -
MATERIAL -		CUSTOMER DRAWING		SCALE 1:1	SHEET 2 OF 2